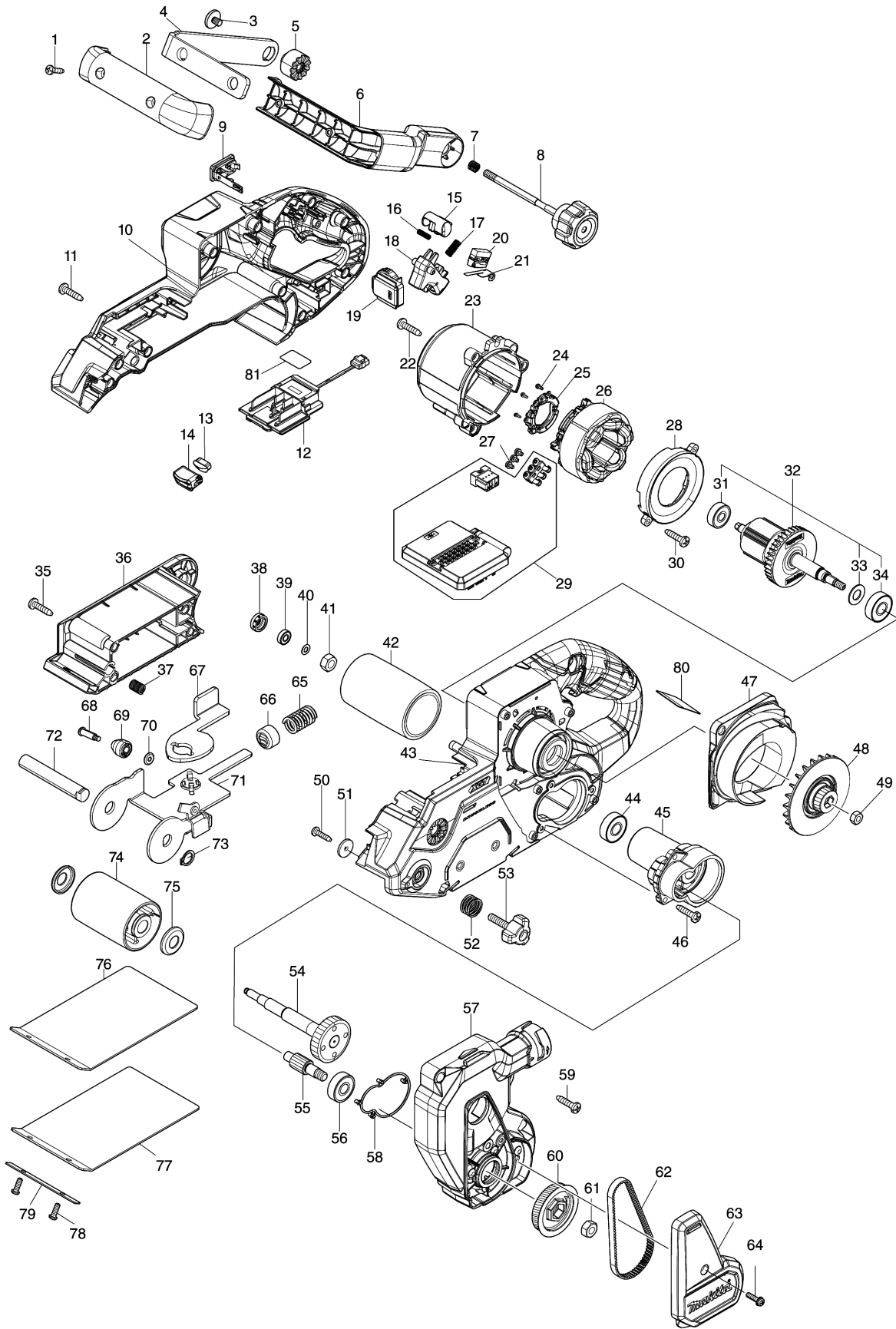


Model No.BS001G 76MM CORDLESS BELT SANDER



Model No.BS001G 76MM CORDLESS BELT SANDER

分解圖號	零件編號	品名	交換	數量	New/Old	選擇1	選擇2	註記
001	266326-2	TAPPING SCREW 4X18		2				
002	1830W6-5	FRONT HANDLE SET		1				
D10		INC. 6						
003	265E03-3	+ FLAT HEAD SCREW M6X8		1				
004	347C69-4	FRONT HANDLE C		1				
005	4130P5-7	FRONT HANDLE CAM		1				
006	1830W6-5	FRONT HANDLE SET		1				
D10		INC. 2						
007	231326-1	COMPRESSION SPRING 6		1				
008	265D79-4	KNOB 40		1				
009	140G30-2	CAP COMPLETE		1				
C10	213A05-9	O-RING16		1				
010	1830W1-5	HOUSING SET		1				
C10	263005-3	RUBBER PIN 6		4				
C20	8079S1-4	CAUTION LABEL		1				
D10		INC. 43						
011	266326-2	TAPPING SCREW 4X18		11				
012	632P64-8	TERMINAL UNIT		1				
013	620F48-8	LED CIRCUIT		1				
014	412719-3	LED HOUSING		1				
015	4130N7-9	LOCKON BUTTON		1				
016	231433-0	COMPRESSION SPRING 4		1				
017	231372-4	COMPRESSION SPRING 5		1				
018	141Y94-7	SWITCH LEVER COMPLETE		1				
019	620H67-6	DIAL CIRCUIT		1				
020	632V75-9	SWITCH UNIT		1				
021	232672-5	LEAF SPRING		1				
022	266326-2	TAPPING SCREW 4X18		3				
023	4130P2-3	MOTOR HOUSING		1				
024	652119-7	PAN HEAD SCREW M2X6		3				
025	632R96-7	SENSOR UNIT		1				
026	629A85-9	STATOR		1				
027	652069-6	FLAT HEAD SCREW M3X6		3				
028	4130P3-1	BUFFLE PLATE		1				
029	620P40-4	CONTROLLER		1				
030	266326-2	TAPPING SCREW 4X18		2				
031	210023-2	BALL BEARING 627DDW		1				
032	519864-6	ROTOR ASS'Y		1				
D10		INC. 31,33,34						
033	267256-0	FLAT WASHER 10		1				
034	210059-1	BALL BEARING 6000DDW		1				
035	266326-2	TAPPING SCREW 4X18		4				
036	4130N3-7	ROLLER COVER		1				
037	233249-9	COMPRESSION SPRING 7		1				
038	421977-0	RUBBER RING 13		1				

Please order the parts with part number.

Print Date 2024/8/5

Model No.BS001G 76MM CORDLESS BELT SANDER

分解圖號	零件編號	品名	交換	數量	New/Old	選擇1	選擇2	註記
039	210278-9	BALL BEARING 695 DDW		1				
040	253811-4	FLAT WASHER 5		1				
041	252154-1	HEX. NUT M8-13		1				
042	162217-4	DRIVING ROLLER		1				
043	1830W1-5	HOUSING SET		1				
C10	263005-3	RUBBER PIN 6		4				
C20	8079S1-4	CAUTION LABEL		1				
D10		INC. 10						
044	210059-1	BALL BEARING 6000DDW		1				
045	141Y93-9	FRAME COMPLETE		1				
046	266326-2	TAPPING SCREW 4X18		3				
047	4130P1-5	SCROLL COVER		1				
048	241663-5	FAN 76		1				
049	252153-3	HEX. NUT M6-10		1				
050	266326-2	TAPPING SCREW 4X18		1				
051	253400-5	FLAT WASHER 4		1				
052	233142-7	COMPRESSION SPRING 14		1				
053	265790-4	THUMB SCREW M6X28		1				
054	141Y92-1	HERICAL GEAR 39 COMPLETE		1				
055	226520-8	HELICAL GEAR 10		1				
056	210125-4	BALL BEARING 629DDW		1				
057	137158-3	BRACKET ASSEMBLY		1				
C10	263005-3	RUBBER PIN 6		1				
058	422B87-8	SEAL RING		1				
059	266326-2	TAPPING SCREW 4X18		6				
060	222156-1	PULLEY 9.5-46.0		1				
061	931402-8	HEX. NUT M8		1				
062	225115-4	SYNCHRO BELT 6-264		1				
063	4130N4-5	BELT COVER		1				
064	911128-8	P.H.SCREW M4X16 WITH WR		1				
065	233250-4	COMPRESSION SPRING 12		1				
066	267746-3	CUP WASHER 17		1				
067	344823-9	LEVER		1				
068	265059-6	SHOULDER SCREW M4		1				
069	416417-1	ROLLER		1				
070	267731-6	CUP WASHER 4		1				
071	151744-6	TENSION ROLLER ARM COMPLETE		1				
072	323931-9	TENSION ROLLER SHAFT		1				
073	961052-5	RETAINING RING (EXT) S-12		1				
074	151753-5	TENSION ROLLER COMPLETE		1				
075	253922-5	CUP WASHER 12		2				
076	193199-9	CORK RUBBER PLATE		1				
077	422B89-4	CARBON PLATE		1				
078	911117-3	PAN HEAD SCREW M4X12		2				

Please order the parts with part number.

Print Date 2024/8/5

Model No.BS001G 76MM CORDLESS BELT SANDER

分解圖號	零件編號	品名	交換	數量	New/Old	選擇1	選擇2	註記
079	344848-3	STRAP WASHER		1				
080	8079W7-0	BS001G NAME PLATE		1				
081	8079W9-6	BS001G SERIAL NO.LABEL		1				
A01	122G84-1	DUST BAG ASSEMBLY		1				
A02	821552-6	CONNECTOR PLASTIC CASE (TYPE4)		1				
C10	453974-8	LATCH		4				
A03	836103-2	INNER TRAY		1				

Please order the parts with part number.

Print Date 2024/8/5