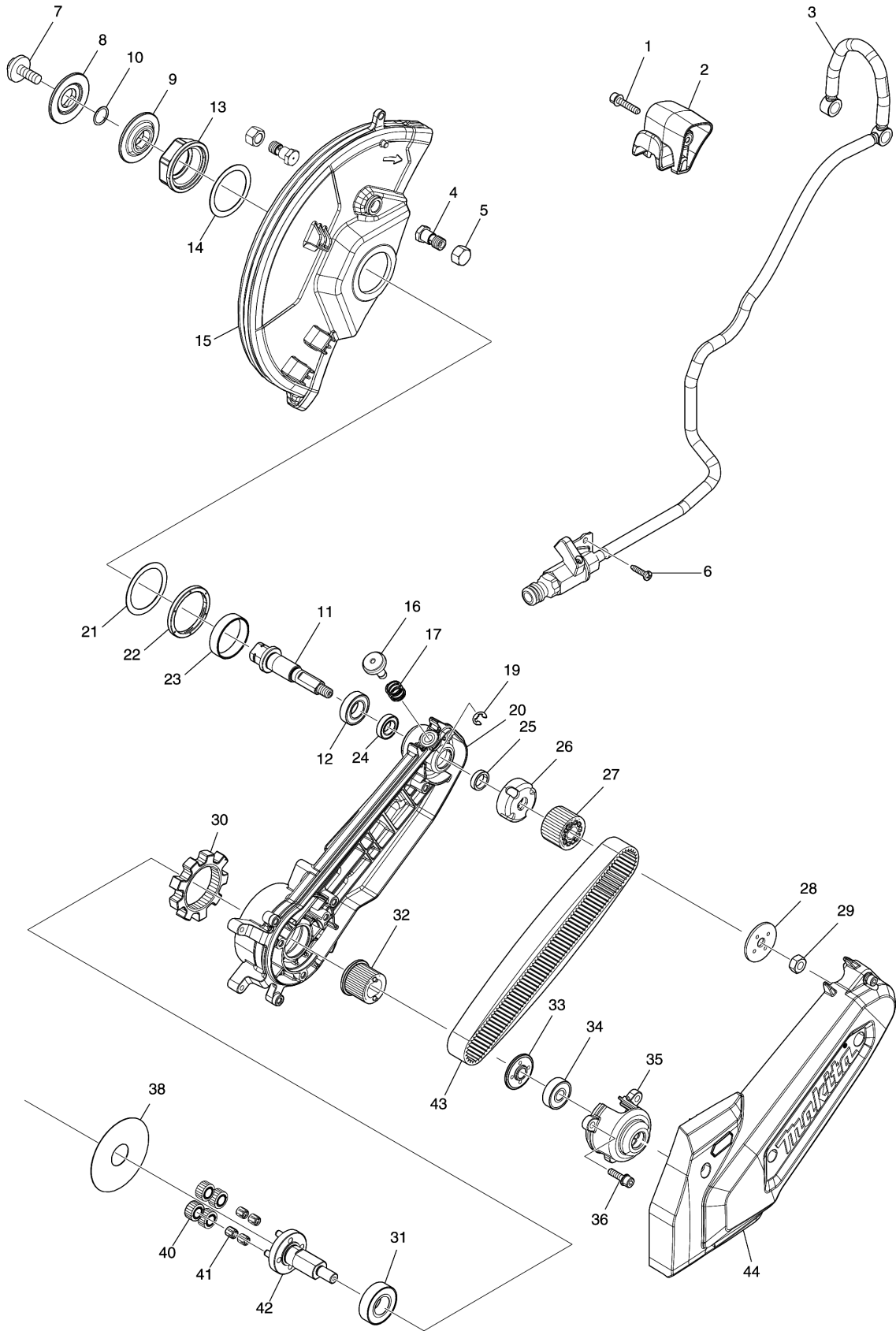
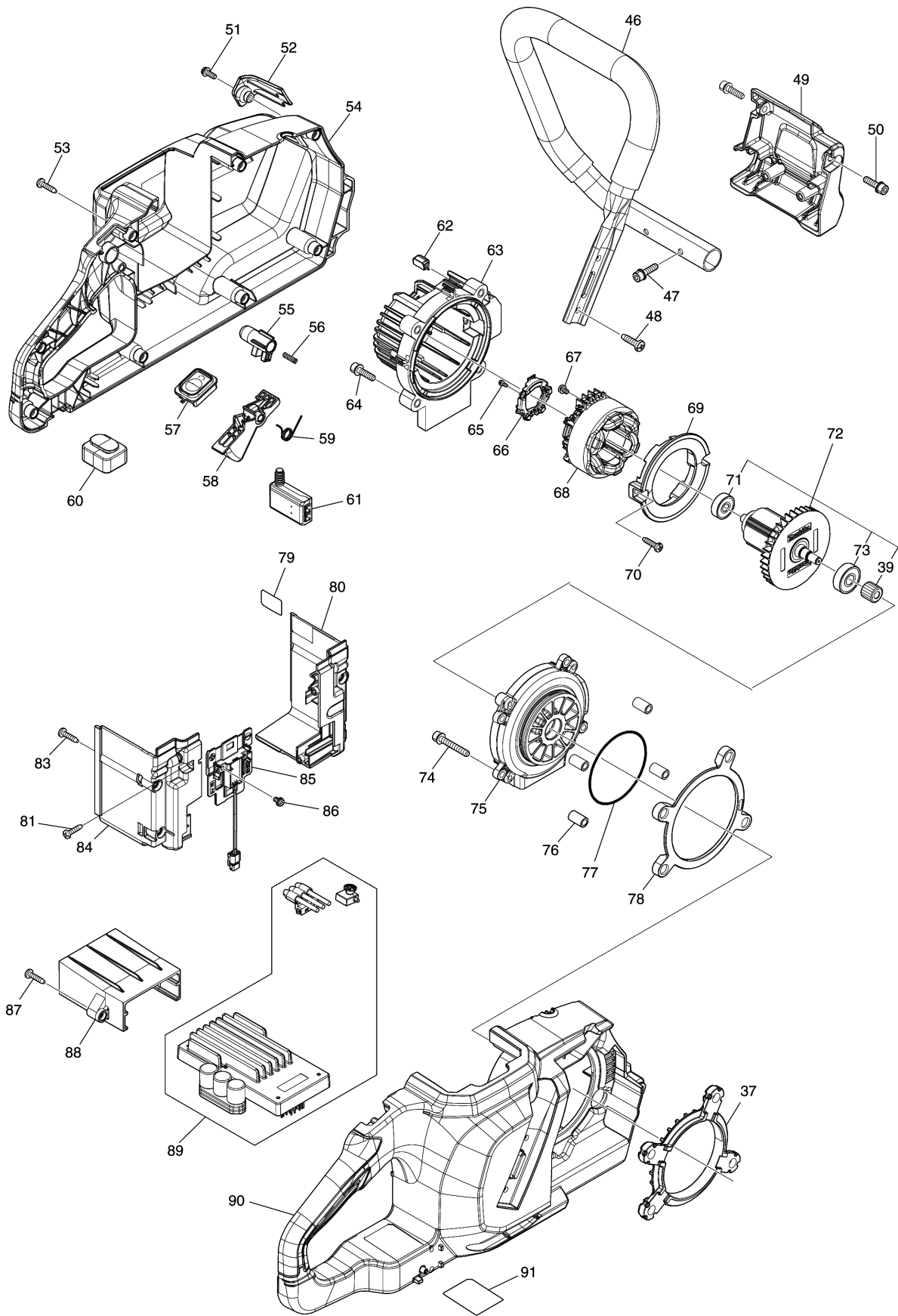


Model No.CE003G 230MM CORDLESS POWER CUTTER



Model No.CE003G 230MM CORDLESS POWER CUTTER



Model No.CE003G 230MM CORDLESS POWER CUTTER

| 分解圖號 | 零件編號 | 品名 | 交換 | 數量 | New/Old | 選擇1 | 選擇2 | 註記 |
|------|----------|------------------------------|----|----|---------|-----|-----|----|
| 001 | 922243-3 | HEX. SOCKET HEAD BOLT M5X25 | | 1 | | | | |
| 002 | 413Y26-7 | WHEEL COVER GRIP | | 1 | | | | |
| 003 | 122G28-1 | HOSE ASSEMBLY | | 1 | | | | |
| 004 | 265C26-9 | HEX.BOLT M10X21 | | 2 | | | | |
| 005 | 252306-4 | HEX.NUT M10 | | 2 | | | | |
| 006 | 266326-2 | TAPPING SCREW 4X18 | | 2 | | | | |
| 007 | 266690-1 | HEX. BOLT M8X25 | | 1 | | | | |
| 008 | 224604-6 | OUTER FLANGE 46 | | 1 | | | | |
| 009 | 224605-4 | INNER FLANGE 46 | | 1 | | | | |
| 010 | 213162-7 | O RING 14 | | 1 | | | | |
| 011 | 327E57-9 | SPINDLE | | 1 | | | | |
| 012 | 211244-9 | BALL BEARING 6902LLU | | 1 | | | | |
| 013 | 312F61-7 | BEARING RETAINER | | 1 | | | | |
| 014 | 261178-6 | POLYACETAL WASHER 38 | | 1 | | | | |
| 015 | 312F01-5 | WHEEL COVER 230 | | 1 | | | | |
| 016 | 137186-8 | PIN CAP ASS'Y | | 1 | | | | |
| 017 | 233089-5 | COMPRESSION SPRING 12 | | 1 | | | | |
| 019 | 961012-7 | STOP RING E-6 | | 1 | | | | |
| 020 | 312E99-6 | CUTTING DEVICE | | 1 | | | | |
| 021 | 261178-6 | POLYACETAL WASHER 38 | | 1 | | | | |
| 022 | 422B46-2 | RUBBER RING 39 | | 1 | | | | |
| 023 | 257A32-6 | RING 35 | | 1 | | | | |
| 024 | 210245-4 | BALL BEARING 6801LLU | | 1 | | | | |
| 025 | 257A31-8 | RING 12 | | 1 | | | | |
| 026 | 347C25-4 | PULLY BOTTOM PLATE | | 1 | | | | |
| 027 | 222212-7 | PULLEY 21-30.7 | | 1 | | | | |
| 028 | 347C26-2 | PULLEY PLATE 36 | | 1 | | | | |
| 029 | 931402-8 | HEX. NUT M8 | | 1 | | | | |
| 030 | 227B45-7 | INTERNAL GEAR 55 | | 1 | | | | |
| 031 | 210301-0 | BALL BEARING 6003DDW | | 1 | | | | |
| 032 | 222213-5 | PULLEY 21-27.5 | | 1 | | | | |
| 033 | 327D38-7 | PULLEY PLATE 32 | | 1 | | | | |
| 034 | 211092-6 | BALL BEARING 629DDW | | 1 | | | | |
| 035 | 312F02-3 | PULLEY COVER | | 1 | | | | |
| 036 | 922233-6 | H.S.H.BOLT M5X20 WITH WR | | 3 | | | | |
| 037 | 422B44-6 | DAMPER A | | 1 | | | | |
| 038 | 253599-6 | FLAT WASHER 20 | | 1 | | | | |
| 039 | 227B43-1 | SPUR GEAR 17 | | 1 | | | | |
| 040 | 227B44-9 | SPUR GEAR 18 | | 4 | | | | |
| 041 | 212265-4 | NEEDLE CAGE 508 | | 4 | | | | |
| 042 | 141V23-2 | CARRIER COMPLETE | | 1 | | | | |
| 043 | 225111-2 | SYNCHRO BELT 20-500 | | 1 | | | | |
| 044 | 137110-1 | BELT COVER ASSEMBLY | | 1 | | | | |
| C10 | 265B09-3 | H.S. HEAD BOLT M5X30 WITH WR | | 5 | | | | |

Please order the parts with part number.

Print Date 2024/5/30

Model No.CE003G 230MM CORDLESS POWER CUTTER

| 分解圖號 | 零件編號 | 品名 | 交換 | 數量 | New/Old | 選擇1 | 選擇2 | 註記 |
|------|----------|--------------------------|----|----|---------|-----|-----|----|
| 046 | 327D37-9 | FRONT GRIP 26 | | 1 | | | | |
| 047 | 922233-6 | H.S.H.BOLT M5X20 WITH WR | | 2 | | | | |
| 048 | 266420-0 | TAPPING SCREW 5X20 | | 2 | | | | |
| 049 | 312F04-9 | STAND SUPPORT | | 1 | | | | |
| 050 | 922233-6 | H.S.H.BOLT M5X20 WITH WR | | 2 | | | | |
| 051 | 911118-1 | PAN HEAD SCREW M4X12 | | 1 | | | | |
| 052 | 413Y18-6 | LENS | | 1 | | | | |
| 053 | 266326-2 | TAPPING SCREW 4X18 | | 8 | | | | |
| 054 | 1830N5-4 | HOUSING SET | | 1 | | | | |
| D10 | | INC. 90 | | | | | | |
| 055 | 413Y21-7 | LOCK OFF BUTTON | | 1 | | | | |
| 056 | 232444-8 | COMPRESSION SPRING 4 | | 1 | | | | |
| 057 | 141V21-6 | SWITCH CIRCUIT COMPLETE | | 1 | | | | |
| 058 | 413Y20-9 | SWITCH LEVER | | 1 | | | | |
| 059 | 232854-9 | TORSION SPRING 10 | | 1 | | | | |
| 060 | 422823-0 | REAR FOOT | | 1 | | | | |
| 061 | 632V44-0 | SWITCH UNIT | | 1 | | | | |
| 062 | 620N97-3 | LED CIRCUIT | | 1 | | | | |
| 063 | 413Y19-4 | MOTOR HOUSING | | 1 | | | | |
| 064 | 922233-6 | H.S.H.BOLT M5X20 WITH WR | | 4 | | | | |
| 065 | 652119-7 | PAN HEAD SCREW M2X6 | | 3 | | | | |
| 066 | 620P38-1 | SENSOR UNIT | | 1 | | | | |
| 067 | 652069-6 | FLAT HEAD SCREW M3X6 | | 3 | | | | |
| 068 | 629C70-4 | STATOR | | 1 | | | | |
| 069 | 413Y22-5 | BAFFLE PLATE | | 1 | | | | |
| 070 | 266326-2 | TAPPING SCREW 4X18 | | 2 | | | | |
| 071 | 210023-2 | BALL BEARING 627DDW | | 1 | | | | |
| 072 | 510601-1 | ROTOR ASS'Y | | 1 | | | | |
| D10 | | INC. 39,71,73 | | | | | | |
| 073 | 211092-6 | BALL BEARING 629DDW | | 1 | | | | |
| 074 | 922258-0 | H.S.H.BOLT M5X35 WITH WR | | 4 | | | | |
| 075 | 312F00-7 | BEARING BOX | | 1 | | | | |
| 076 | 257A33-4 | SLEEVE 6 | | 4 | | | | |
| 077 | 213720-9 | O RING 67 | | 1 | | | | |
| 078 | 422B45-4 | DAMPAR B | | 1 | | | | |
| 079 | 8146M6-7 | CE003G SERIAL NO.LABEL | | 1 | | | | |
| 080 | 1830M9-9 | TERMINAL BOX SET | | 1 | | | | |
| C10 | 263005-3 | RUBBER PIN 6 | | 2 | | | | |
| D10 | | INC. 84 | | | | | | |
| 081 | 266326-2 | TAPPING SCREW 4X18 | | 2 | | | | |
| 083 | 266326-2 | TAPPING SCREW 4X18 | | 4 | | | | |
| 084 | 1830M9-9 | TERMINAL BOX SET | | 1 | | | | |
| C10 | 263005-3 | RUBBER PIN 6 | | 2 | | | | |
| D10 | | INC. 80 | | | | | | |

Please order the parts with part number.

Print Date 2024/5/30

Model No.CE003G 230MM CORDLESS POWER CUTTER

| 分解圖號 | 零件編號 | 品名 | 交換 | 數量 | New/Old | 選擇1 | 選擇2 | 註記 |
|------|----------|------------------------|----|----|---------|-----|-----|----|
| 085 | 632V23-8 | TERMINAL UNIT | | 1 | | | | |
| 086 | 652031-1 | PAN HEAD SCREW M3X6 | | 2 | | | | |
| 087 | 266326-2 | TAPPING SCREW 4X18 | | 2 | | | | |
| 088 | 413Y25-9 | CONTROLLER CASE | | 1 | | | | |
| 089 | 620N99-9 | CONTROLLER | | 1 | | | | |
| 090 | 1830N5-4 | HOUSING SET | | 1 | | | | |
| D10 | | INC. 54 | | | | | | |
| 091 | 8146M4-1 | CE003G NAME PLATE | | 1 | | | | |
| A01 | 122G62-1 | WRENCH HOLDER ASSEMBLY | | 1 | | | | |
| A02 | 123121-2 | COUPLING SLEEVE | | 1 | | | | |
| A03 | 782039-2 | BOX WRENCH 13-19 | | 1 | | | | |

Please order the parts with part number.

Print Date 2024/5/30