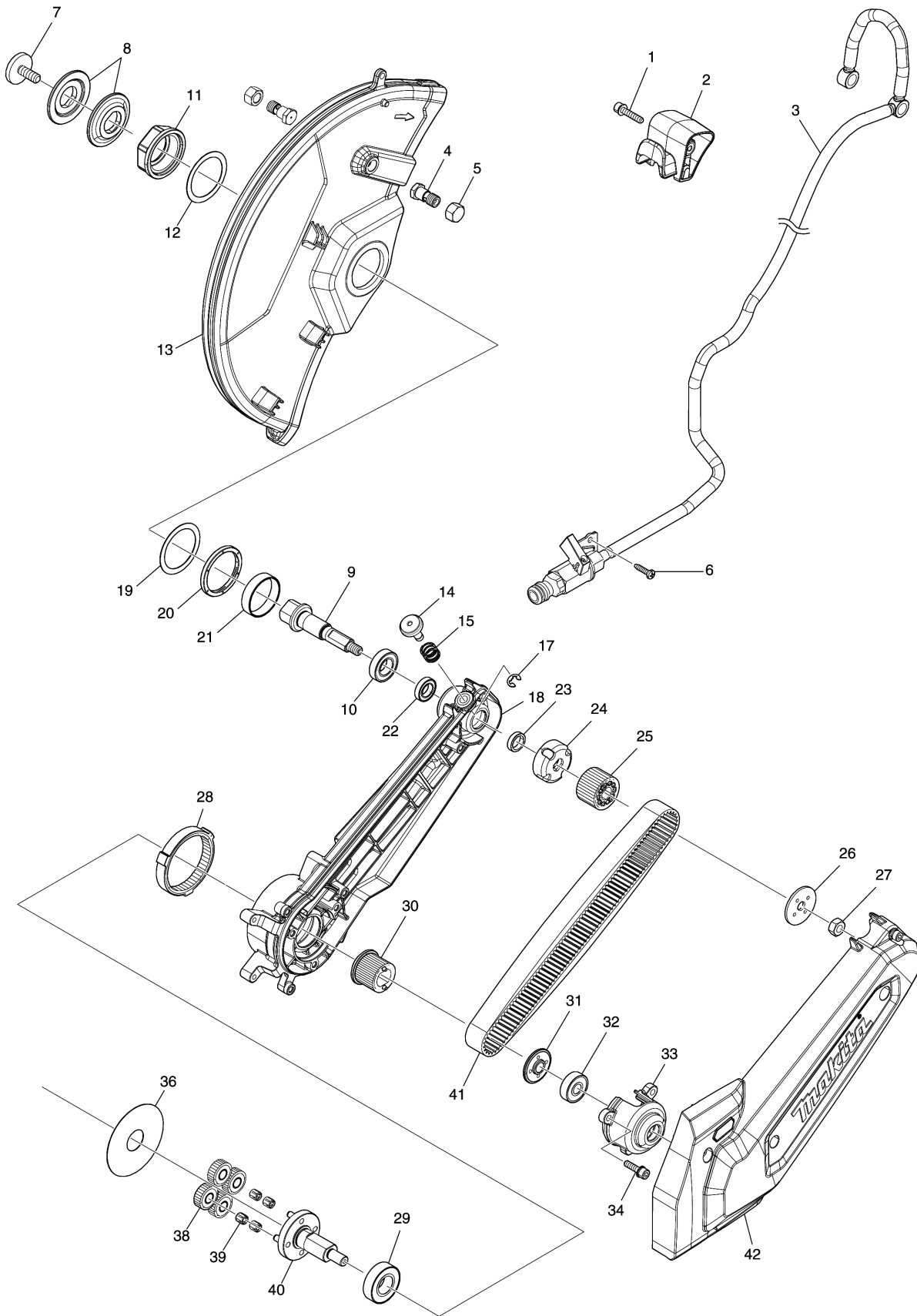
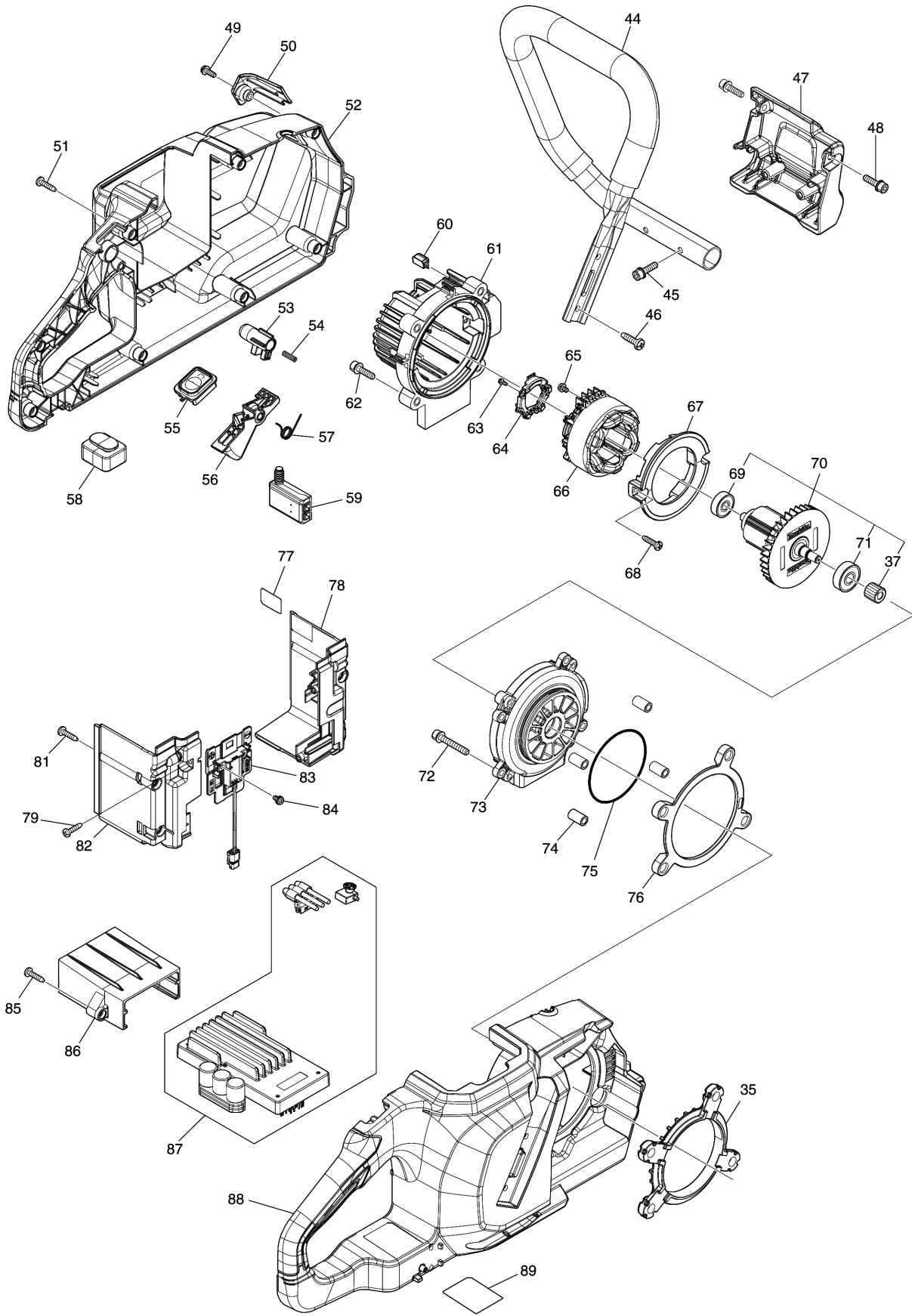


Model No.CE004G 305MM CORDLESS POWER CUTTER



Model No.CE004G 305MM CORDLESS POWER CUTTER



Model No.CE004G 305MM CORDLESS POWER CUTTER

分解圖號	零件編號	品名	交換	數量	New/Old	選擇1	選擇2	註記
001	922243-3	HEX. SOCKET HEAD BOLT M5X25		1				
002	413Y26-7	WHEEL COVER GRIP		1				
003	122G30-4	HOSE ASSEMBLY		1				
004	265C26-9	HEX.BOLT M10X21		2				
005	252306-4	HEX.NUT M10		2				
006	266326-2	TAPPING SCREW 4X18		2				
007	266976-3	HEX. BOLT M8X25		1				
008	224635-5	FLANGE 50		2				
009	327D39-5	SPINDLE		1				
010	211244-9	BALL BEARING 6902LLU		1				
011	312F61-7	BEARING RETAINER		1				
012	261178-6	POLYACETAL WASHER 38		1				
013	312F06-5	WHEEL COVER 305		1				
014	137186-8	PIN CAP ASS'Y		1				
015	233089-5	COMPRESSION SPRING 12		1				
017	961012-7	STOP RING E-6		1				
018	312F05-7	CUTTING DEVICE		1				
019	261178-6	POLYACETAL WASHER 38		1				
020	422B46-2	RUBBER RING 39		1				
021	257A32-6	RING 35		1				
022	210245-4	BALL BEARING 6801LLU		1				
023	257A31-8	RING 12		1				
024	347C25-4	PULLY BOTTOM PLATE		1				
025	222212-7	PULLEY 21-30.7		1				
026	347C26-2	PULLEY PLATE 36		1				
027	931402-8	HEX. NUT M8		1				
028	227B48-1	INTERNAL GEAR 72		1				
029	210301-0	BALL BEARING 6003DDW		1				
030	222213-5	PULLEY 21-27.5		1				
031	327D38-7	PULLEY PLATE 32		1				
032	211092-6	BALL BEARING 629DDW		1				
033	312F02-3	PULLEY COVER		1				
034	922233-6	H.S.H.BOLT M5X20 WITH WR		3				
035	422B44-6	DAMPER A		1				
036	253599-6	FLAT WASHER 20		1				
037	227B46-5	SPUR GEAR 16		1				
038	227B47-3	SPUR GEAR 27		4				
039	212265-4	NEEDLE CAGE 508		4				
040	141V25-8	CARRIER COMPLETE		1				
041	225112-0	SYNCHRO BELT 20-575		1				
042	137119-3	BELT COVER ASSEMBLY		1				
C10	265B09-3	H.S. HEAD BOLT M5X30 WITH WR		5				
044	327D37-9	FRONT GRIP 26		1				
045	922233-6	H.S.H.BOLT M5X20 WITH WR		2				

Please order the parts with part number.

Print Date 2024/5/30

Model No.CE004G 305MM CORDLESS POWER CUTTER

分解圖號	零件編號	品名	交換	數量	New/Old	選擇1	選擇2	註記
046	266420-0	TAPPING SCREW 5X20		2				
047	312F04-9	STAND SUPPORT		1				
048	922233-6	H.S.H.BOLT M5X20 WITH WR		2				
049	911118-1	PAN HEAD SCREW M4X12		1				
050	413Y18-6	LENS		1				
051	266326-2	TAPPING SCREW 4X18		8				
052	1830N5-4	HOUSING SET		1				
D10		INC. 88						
053	413Y21-7	LOCK OFF BUTTON		1				
054	232444-8	COMPRESSION SPRING 4		1				
055	141V21-6	SWITCH CIRCUIT COMPLETE		1				
056	413Y20-9	SWITCH LEVER		1				
057	232854-9	TORSION SPRING 10		1				
058	422823-0	REAR FOOT		1				
059	632V44-0	SWITCH UNIT		1				
060	620N97-3	LED CIRCUIT		1				
061	413Y19-4	MOTOR HOUSING		1				
062	922233-6	H.S.H.BOLT M5X20 WITH WR		4				
063	652119-7	PAN HEAD SCREW M2X6		3				
064	620P38-1	SENSOR UNIT		1				
065	652069-6	FLAT HEAD SCREW M3X6		3				
066	629C70-4	STATOR		1				
067	413Y22-5	BAFFLE PLATE		1				
068	266326-2	TAPPING SCREW 4X18		2				
069	210023-2	BALL BEARING 627DDW		1				
070	519856-5	ROTOR ASS'Y		1				
D10		INC. 37,69,71						
071	211092-6	BALL BEARING 629DDW		1				
072	922258-0	H.S.H.BOLT M5X35 WITH WR		4				
073	312F00-7	BEARING BOX		1				
074	257A33-4	SLEEVE 6		4				
075	213720-9	O RING 67		1				
076	422B45-4	DAMPAR B		1				
077	8146N9-8	CE004G SERIAL NO.LABEL		1				
078	1830M9-9	TERMINAL BOX SET		1				
C10	263005-3	RUBBER PIN 6		2				
D10		INC. 82						
079	266326-2	TAPPING SCREW 4X18		2				
081	266326-2	TAPPING SCREW 4X18		4				
082	1830M9-9	TERMINAL BOX SET		1				
C10	263005-3	RUBBER PIN 6		2				
D10		INC. 78						
083	632V23-8	TERMINAL UNIT		1				
084	652031-1	PAN HEAD SCREW M3X6		2				

Please order the parts with part number.

Print Date 2024/5/30

Model No.CE004G 305MM CORDLESS POWER CUTTER

分解圖號	零件編號	品名	交換	數量	New/Old	選擇1	選擇2	註記
085	266326-2	TAPPING SCREW 4X18		2				
086	413Y25-9	CONTROLLER CASE		1				
087	620N99-9	CONTROLLER		1				
088	1830N5-4	HOUSING SET		1				
D10		INC. 52						
089	8146N8-0	CE004G NAME PLATE		1				
A01	122G62-1	WRENCH HOLDER ASSEMBLY		1				
A02	123121-2	COUPLING SLEEVE		1				
A03	782039-2	BOX WRENCH 13-19		1				
A04	1914A3-7	RING SET		1				
A05	224636-3	FLANGE 80		2				

Please order the parts with part number.

Print Date 2024/5/30