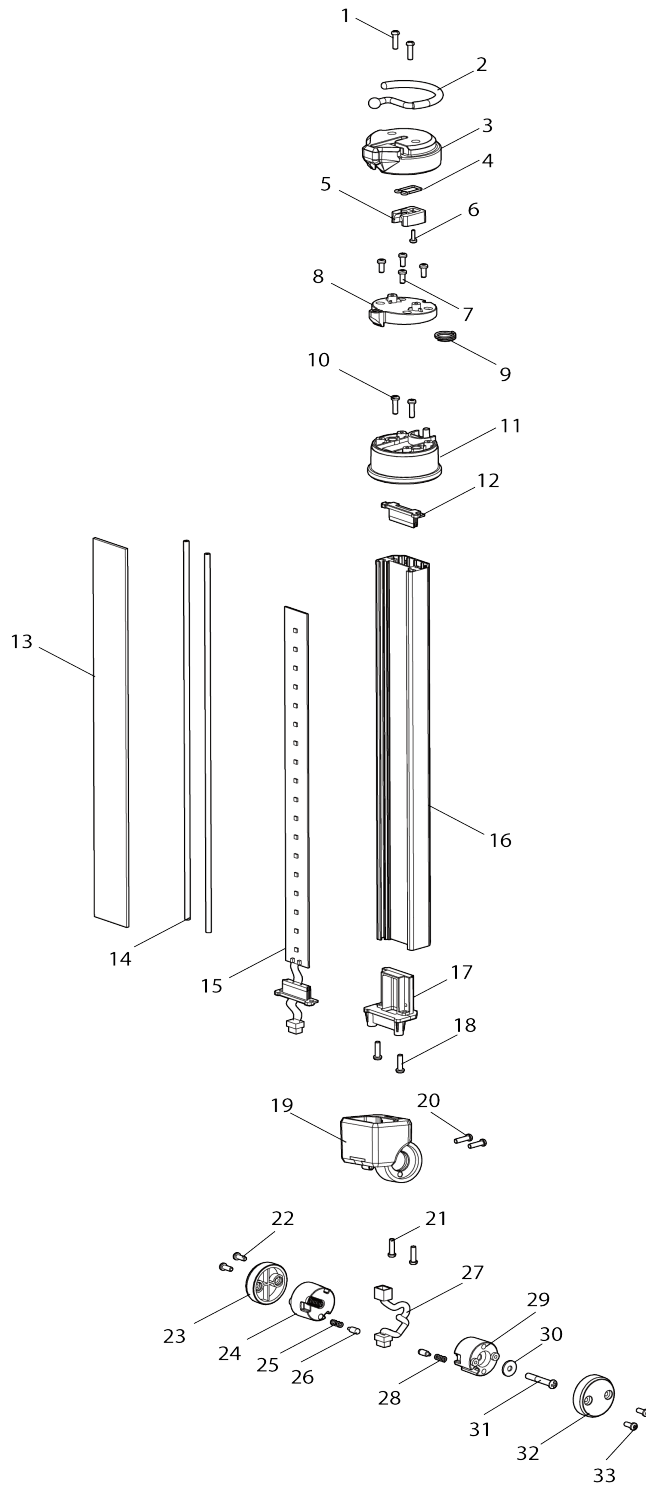
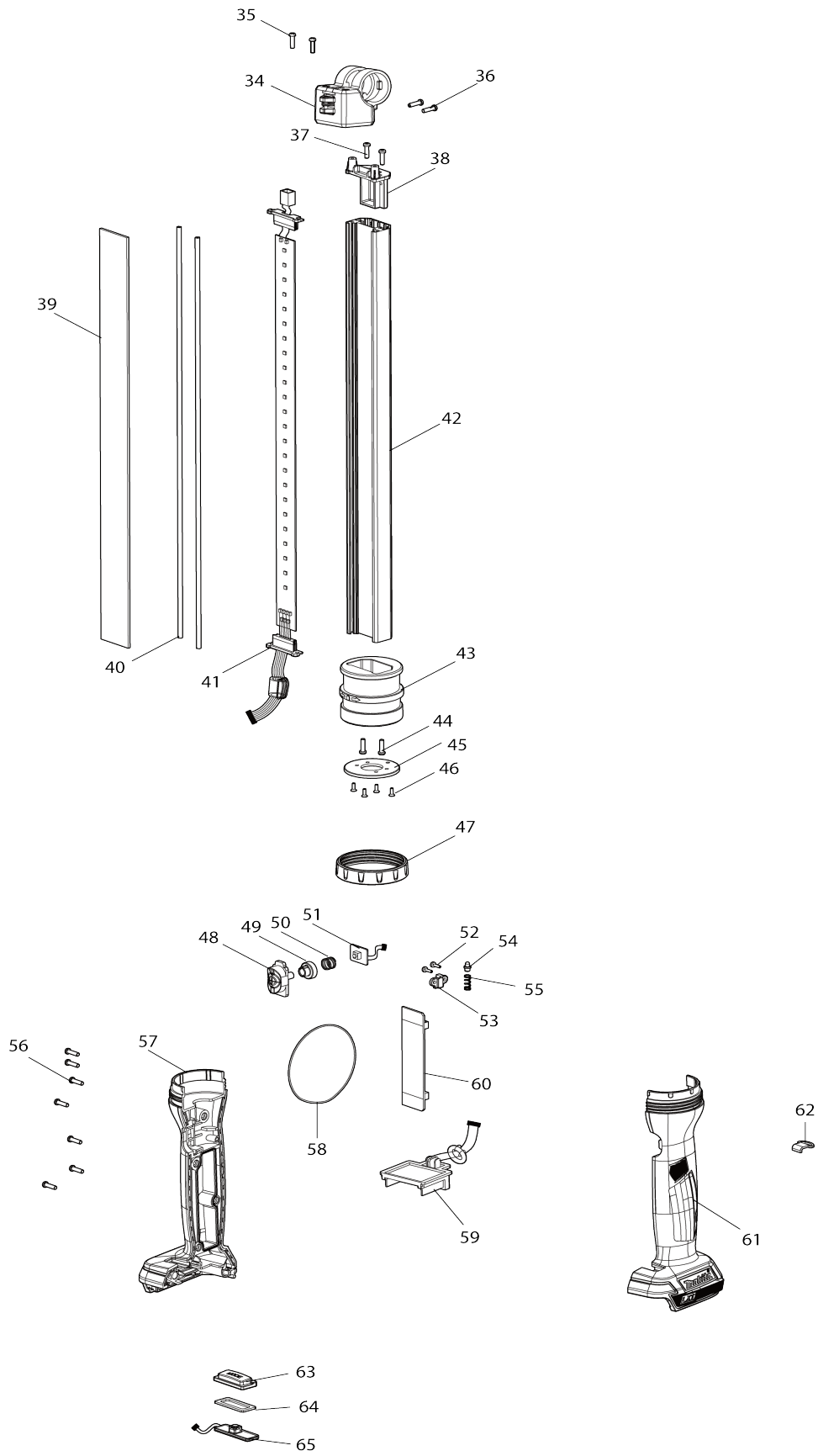


Model No.DML818 CORDLESS BAR LIGHT



Model No.DML818 CORDLESS BAR LIGHT



Model No.DML818 CORDLESS BAR LIGHT

物件 編號	零件編號	說明	互換 性	數量	新/舊	註1	註2
001	GM00001012	SCREW 3X12 PB BLACK ZN		2			
002	GM00002543	TOP HOOK		1			
003	GM00002542	TOP SUPPORT B		1			
004	GM00002541	TOP HOOK SPRING		1			
005	GM00002540	HOOK SPRING COVER		1			
006	GM00001322	SCREW 2.6X8 PB		1			
007	GM00001332	SCREW 3 X 8 PB B0130080702		4			
008	GM00002539	HOOK SUPPORT		1			
009	GM00002284	RING		1			
010	GM00002546	SCREW 3.2X12 PM		2			
011	GM00002535	TOP SUPPORT A		1			
012	GM00002534	LENS CUSHION B		1			
013	GM00002538	LENS B		1			
014	GM00002537	LENS O RING B		2			
015	GM00002552	LED PCBA ASS'Y-B		1			
016	GM00002533	ALUMINUM COVER B		1			
017	GM00002532	MIDDLE SUPPORT B1		1			
018	GM00002546	SCREW 3.2X12 PM		2			
019	GM00002531	MIDDLE SUPPORT B2		1			
020	GM00001012	SCREW 3X12 PB BLACK ZN		2			
021	GM00001012	SCREW 3X12 PB BLACK ZN		2			
022	GM00001332	SCREW 3 X 8 PB B0130080702		2			
023	GM00002526	SPINDLE COVER		1			
024	GM00002527	SPINDLE L		1			
025	GM00002224	COMPRESSION SPRING		1			
026	GM00002525	NEEDLE B		2			
027	GM00002528	2P HOUSING CONNECTOR		1			
028	GM00002224	COMPRESSION SPRING		1			
029	GM00002529	SPINDLE R		1			
030	GM00002530	FLAT WASHER		1			
031	GM00002547	SCREW 4X26 PM		1			
032	GM00002526	SPINDLE COVER		1			
033	GM00001332	SCREW 3 X 8 PB B0130080702		2			
034	GM00002524	MIDDLE SUPPORT A2		1			
035	GM00001012	SCREW 3X12 PB BLACK ZN		2			
036	GM00001012	SCREW 3X12 PB BLACK ZN		2			
037	GM00002546	SCREW 3.2X12 PM		2			
038	GM00002523	MIDDLE SUPPORT A1		1			
039	GM00002522	LENS A		1			
040	GM00002521	LENS O RING A		2			
041	GM00002551	LED PCBA ASS'Y-A		1			
042	GM00002519	ALUMINUM COVER A		1			
043	GM00002518	BOTTOM SUPPORT		1			
044	GM00002546	SCREW 3.2X12 PM		2			
045	GM00002517	NEEDLE SUPPORT		1			
046	GM00002219	SCREW 2.6X7 KB		4			
047	GM00002511	LOCK RING		1			

048	GM00002516	ON/OFF SWITCH		1			
049	GM00002515	ON/OFF SWITCH SUPPORT		1			
050	GM00002514	SPRING		1			
051	GM00002512	ON/OFF SWITCH PCBA		1			
052	GM00001322	SCREW 2.6X8 PB		2			
053	GM00002510	NEEDLE COVER		1			
054	GM00002570	NEEDLE C		1			
055	GM00002569	SPRING		1			
056	GM00001012	SCREW 3X12 PB BLACK ZN		7			
057	GM00002549	HOUSING ASSY		1			
058	GM00002502	O RING		1			
059	GM00002548	BATTERY HOLDER ASSY		1			
060	GM00002550	MAIN PCBA ASSY		1			
061	GM00002549	HOUSING ASSY		1			
062	GM00002231	STRAP HOOK		1			
063	GM00002508	MODE SWITCH COVER		1			
064	GM00002507	MODE SWITCH HOLDER		1			
065	GM00002505	MODE SWITCH PCBA ASSY		1			
A01	GM00002544	HAND STRAP		1			
A02	GM00002545	TELESCOPIC HOOK		1			

請在訂購時註明零件編號。

列印日期 2024/01/15