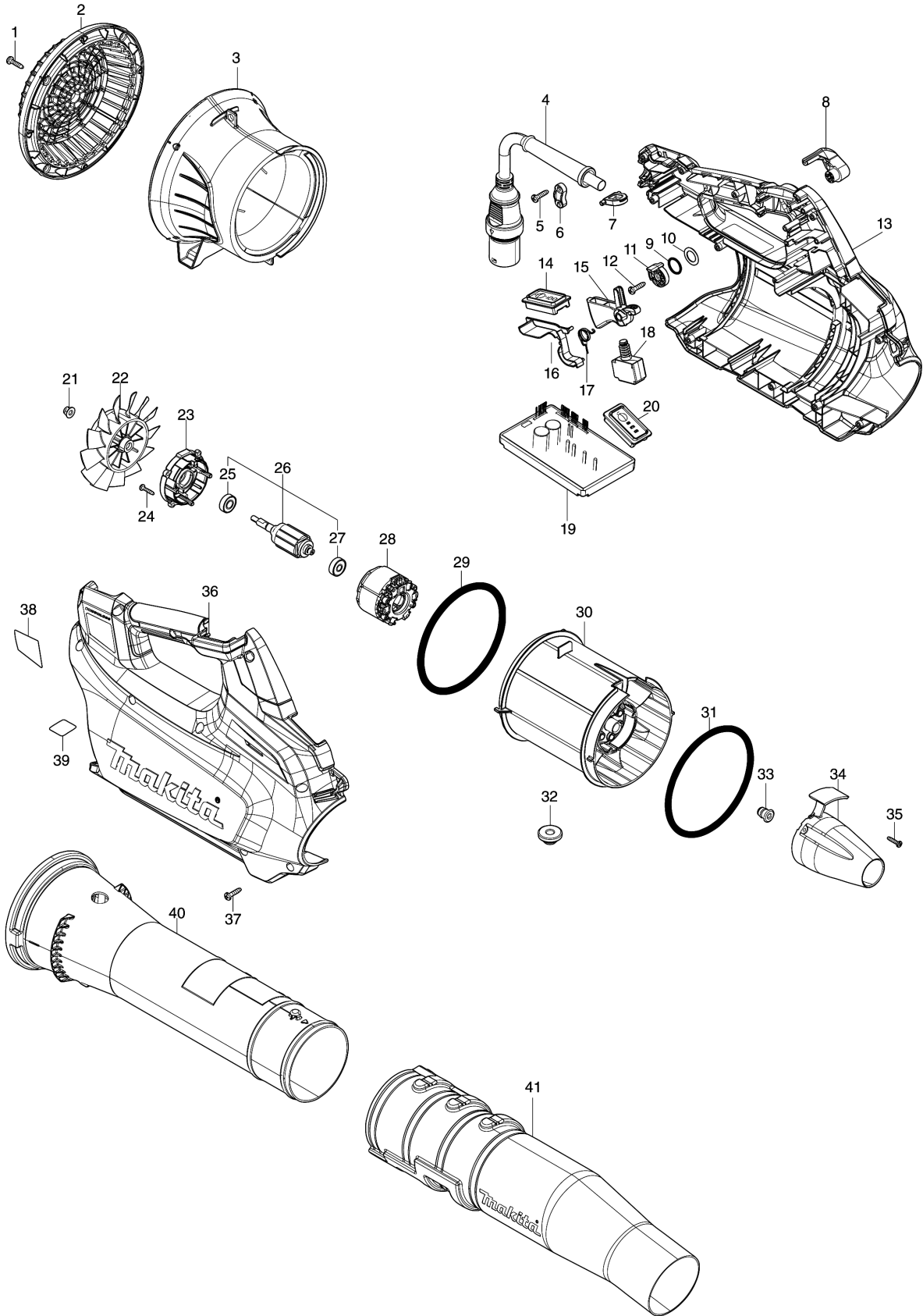


Model No.UB003C BATTERY POWERED BLOWER



Model No.UB003C BATTERY POWERED BLOWER

分解圖號	零件編號	品名	交換	數量	New/Old	選擇1	選擇2	註記
001	266326-2	TAPPING SCREW 4X18		4				
002	412749-4	REAR COVER		1				
003	141T88-2	REAR HOUSING COMPLETE		1				
004	699236-2	POWER SUPPLY CORD UNIT		1				
005	266326-2	TAPPING SCREW 4X18		2				
006	687149-9	STRAIN RELIEF		1				
007	413W38-8	HOOK		1				
008	413W40-1	CONTROL LEVER		1				
009	213154-6	O RING 14		1				
010	253798-0	FLAT WASHER 13		1				
011	412754-1	LINK		1				
012	266326-2	TAPPING SCREW 4X18		1				
013	1830H7-8	HOUSING SET		1				
C10	8011Y4-4	CAUTION LABEL		1				
D10		INC. 36						
014	620N41-0	SWITCH CIRCUIT COMPLETE		1				
C10	8065C7-3	SWITCH LABEL		1				
015	413W37-0	SWITCH LEVER		1				
016	413W39-6	GUIDE		1				
017	232830-3	TORSION SPRING 12		1				
018	650049-6	SWITCH C3JR-1A-PAXD5		1				
019	620N40-2	CONTROLLER		1				
020	620N42-8	SWITCH CIRCUIT COMPLETE		1				
C10	8056J6-7	INDICATION LABEL		1				
021	252286-4	COLLARED HEX.LOCK NUT M5-8		1				
022	240237-9	FAN 110		1				
023	413W41-9	MOTOR HOUSING COVER		1				
024	266130-9	TAPPING SCREW BIND PT 3X16		4				
025	210040-2	BALL BEARING 698LLU		1				
026	519639-3	ROTOR ASS'Y		1				
D10		INC. 25,27						
027	210022-4	BALL BEARING 626DDW		1				
028	629C55-0	STATOR		1				
029	424721-4	RUBBER RING 115		1				
030	413W35-4	MOTOR HOUSING		1				
031	424721-4	RUBBER RING 115		1				
032	424194-1	RUBBER RING 8		1				
033	422879-3	GROMMET		1				
034	413W36-2	CAP		1				
035	266130-9	TAPPING SCREW BIND PT 3X16		3				
036	1830H7-8	HOUSING SET		1				
C10	8011Y4-4	CAUTION LABEL		1				
D10		INC. 13						
037	266326-2	TAPPING SCREW 4X18		12				

Please order the parts with part number.

Print Date 2023/12/4

Model No.UB003C BATTERY POWERED BLOWER

分解圖 號	零件編號	品名	交換	數量	New/Old	選擇1	選擇2	註記
038	8143N3-2	UB003C NAME PLTE		1				
040	412757-5	FRONT PIPE		1				
041	413W42-7	END NOZZLE 72		1				
A01	122F94-2	BAND ASSEMBLY		1				

Please order the parts with part number.

Print Date 2023/12/4