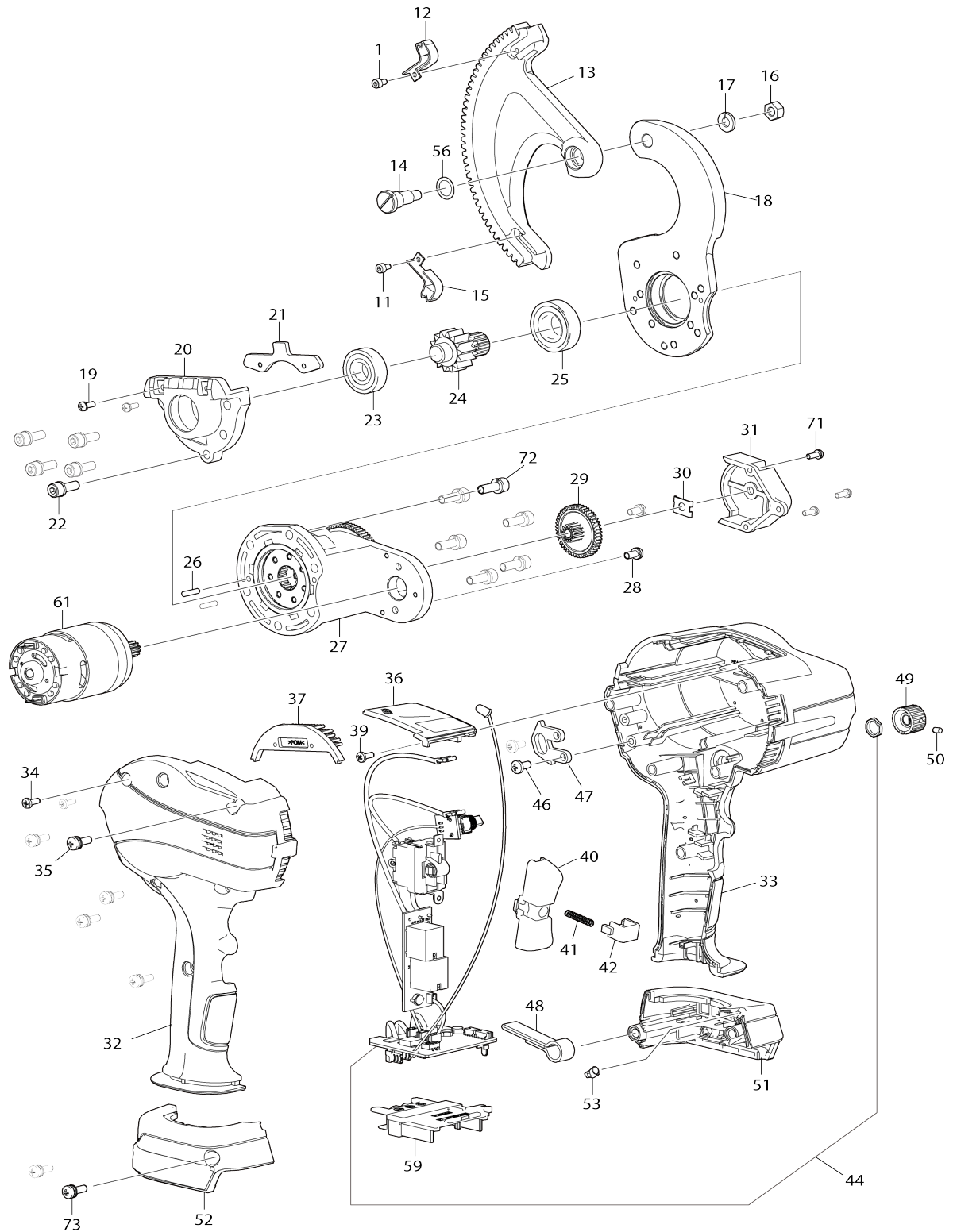


Model No.DTC100 CORDLESS CABLE CUTTER



Model No.DTC100 CORDLESS CABLE CUTTER

物件 編號	零件編號	說明	互換 性	數量	新/舊	註1	註2
001	ZM00000127	H.S. HEAD SCREW M3X3		1			
011	ZM00000127	H.S. HEAD SCREW M3X3		1			
012	ZM00000128	SPRING GEAR B ASSY		1			
013	ZM00000129	MOVING BLADE		1			
014	ZM00000130	-SHOULDER SCREW		1			
015	ZM00000131	SPRING GEAR A ASSY		1			
016	ZM00000132	HEX LOCK NUT M6		1			
017	ZM00000133	SPRING WASHER 6		1			
018	ZM00000134	STATIONARY BLADE		1			
019	ZM00000135	PAN HEAD SCREW M3X8		2			
020	ZM00000136	BEARING CASE		1			
021	ZM00000137	CUTTER PLATE		1			
022	ZM00000138	HEX. SOCKET HEAD BOLT M5 X14		5			
023	ZM00000139	BALL BEARING 6001VV		1			
024	ZM00000140	PINION GEAR		1			
025	ZM00000141	BALL BEARING 6002VV		1			
026	ZM00000142	NEEDLE PIN 3X11.8		2			
027	ZM00000143	GEAR CASE ASSY		1			
028	ZM00000144	PAN HEAD SCREW M4X8		2			
029	ZM00000145	SPUR GEAR		1			
030	ZM00000146	GEAR PLATE		1			
031	ZM00000147	GEAR COVER		1			
032	ZM00000162	HOUSING ASSY		1			
D10		INC. 33					
033	ZM00000162	HOUSING ASSY		1			
C10	ZM00000163	MAKITA LOGO LABEL		1			
D10		INC. 32					
034	ZM00000148	TAPPING SCREW 3X14		2			
035	ZM00000149	PAN HEAD SCREW M4X12		5			
036	ZM00000187	LED COVER		1			
C10	ZM00000188	CAUTION LABEL		1			
037	ZM00000150	BRUSH PLATE		1			
039	ZM00000151	TAPPING SCREW 3X8		1			
040	ZM00000152	SWITCH KNOB		1			
041	ZM00000153	COMPRESSION SPRING		1			
042	ZM00000154	LOCK OFF BUTTON		1			
044	ZM00000155	SWITCH CIRCUIT UNIT		1			
046	ZM00000156	TAPPING SCREW 4X12		2			
047	ZM00000157	STRAP PLATE		1			
048	ZM00000015	STRAP RING		1			
049	ZM00000158	DIAL KNOB		1			
050	ZM00000095	HEX. SET SCREW M3X5		1			
051	ZM00000185	BATTERY CASE ASSY		1			
C10	263005-3	橡膠銷 6		2			
D10		INC. 52					
052	ZM00000185	BATTERY CASE ASSY		1			

C10	263005-3	橡膠銷 6		2			
D10		INC. 51					
053	ZM00000159	CAP		1			
056	ZM00000160	FLAT WASHER		1			
059	643874-2	端子		1			
061	ZM00000161	MOTOR ASSY		1			
071	ZM00000135	PAN HEAD SCREW M3X8		3			
072	ZM00000138	HEX. SOCKET HEAD BOLT M5 X14		6			
073	ZM00000149	PAN HEAD SCREW M4X12		2			
A01	ZM00000169			1			

請在訂購時註明零件編號。

列印日期 2023/10/05