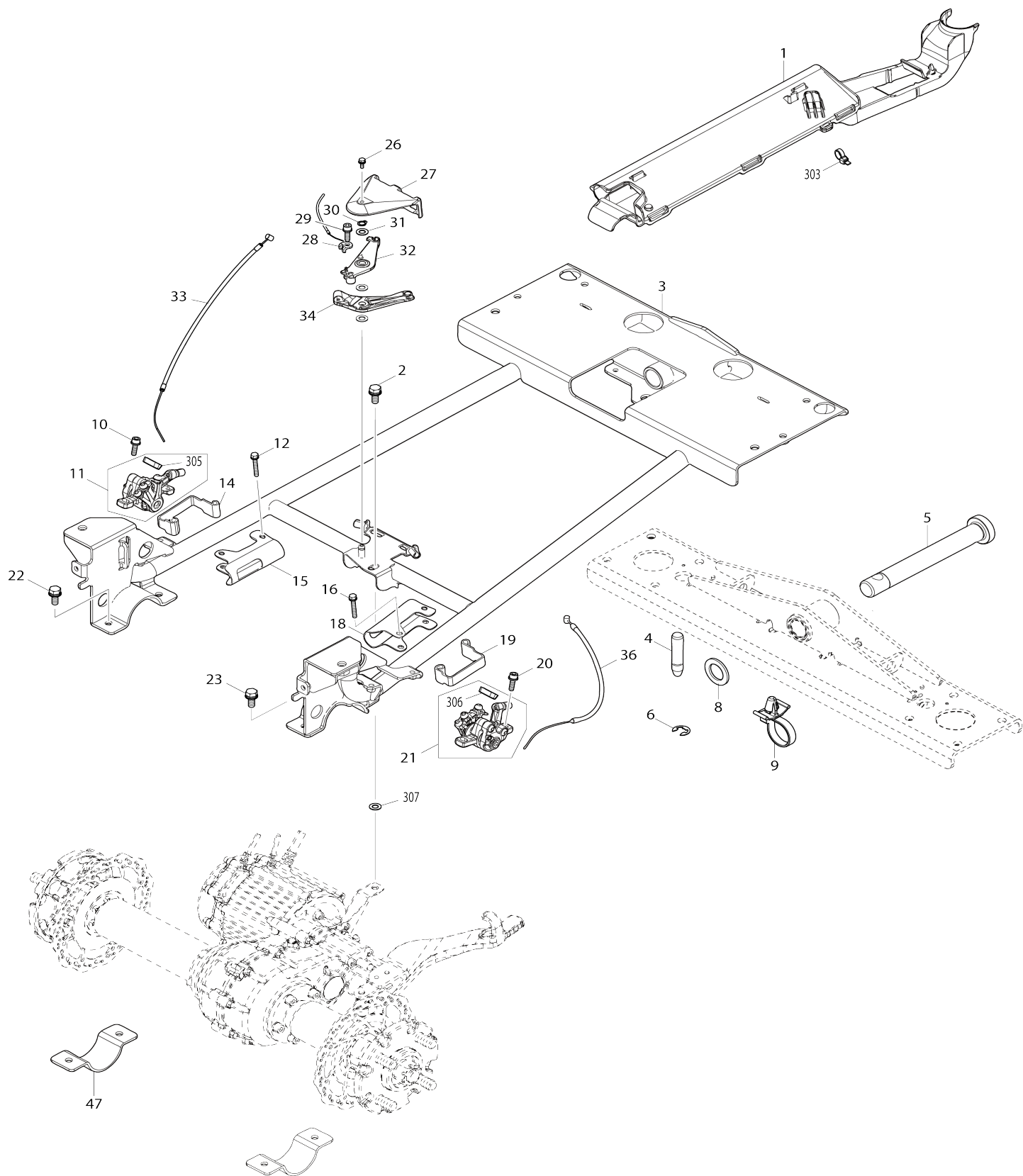
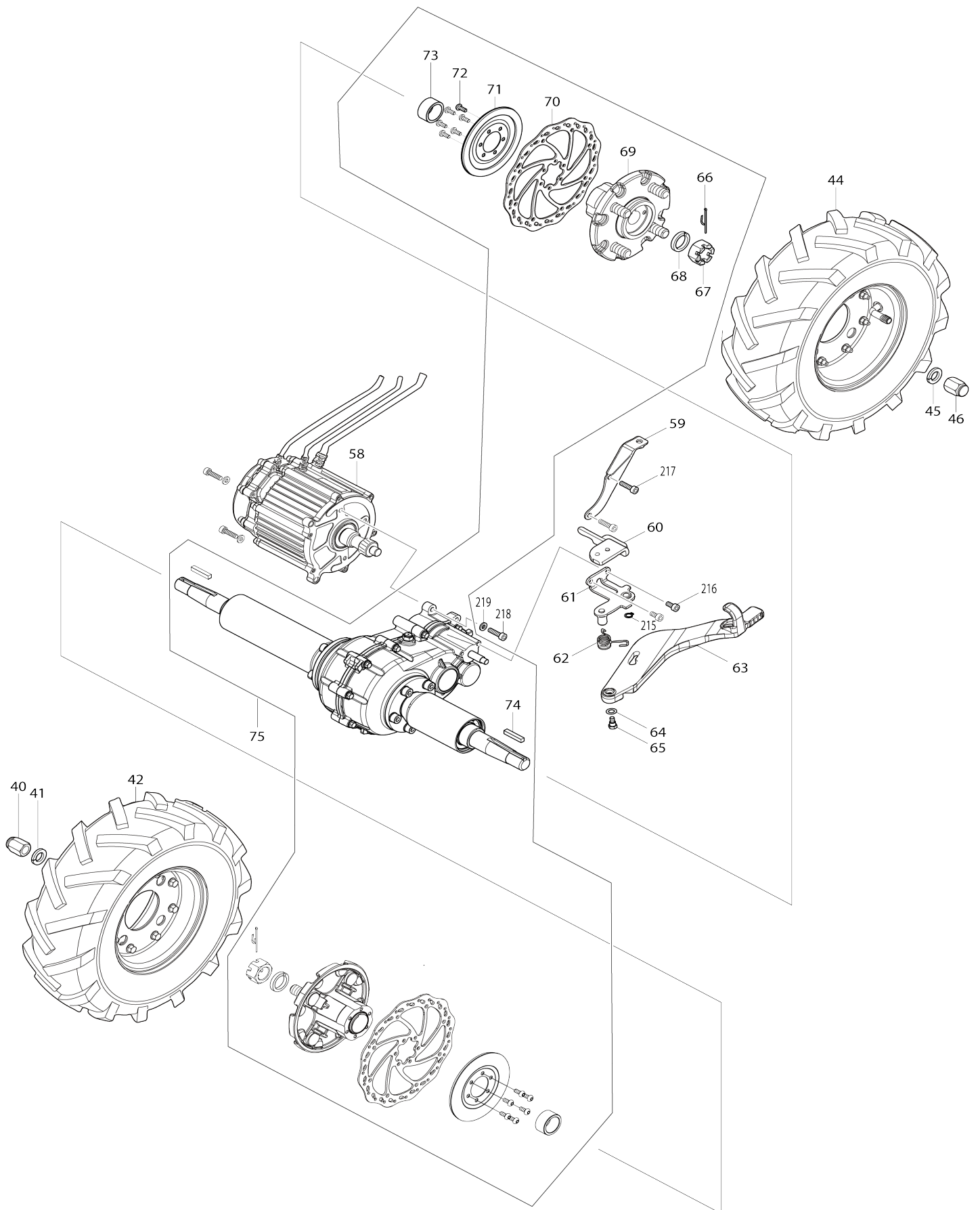


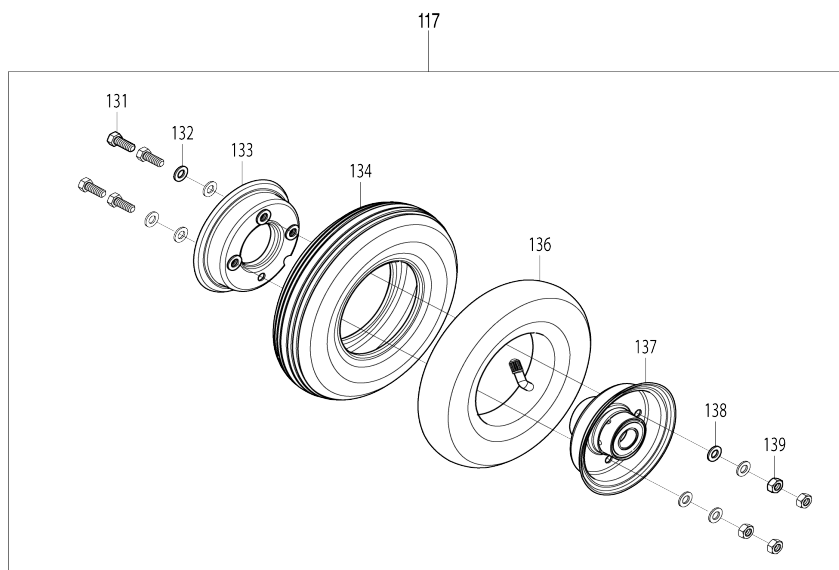
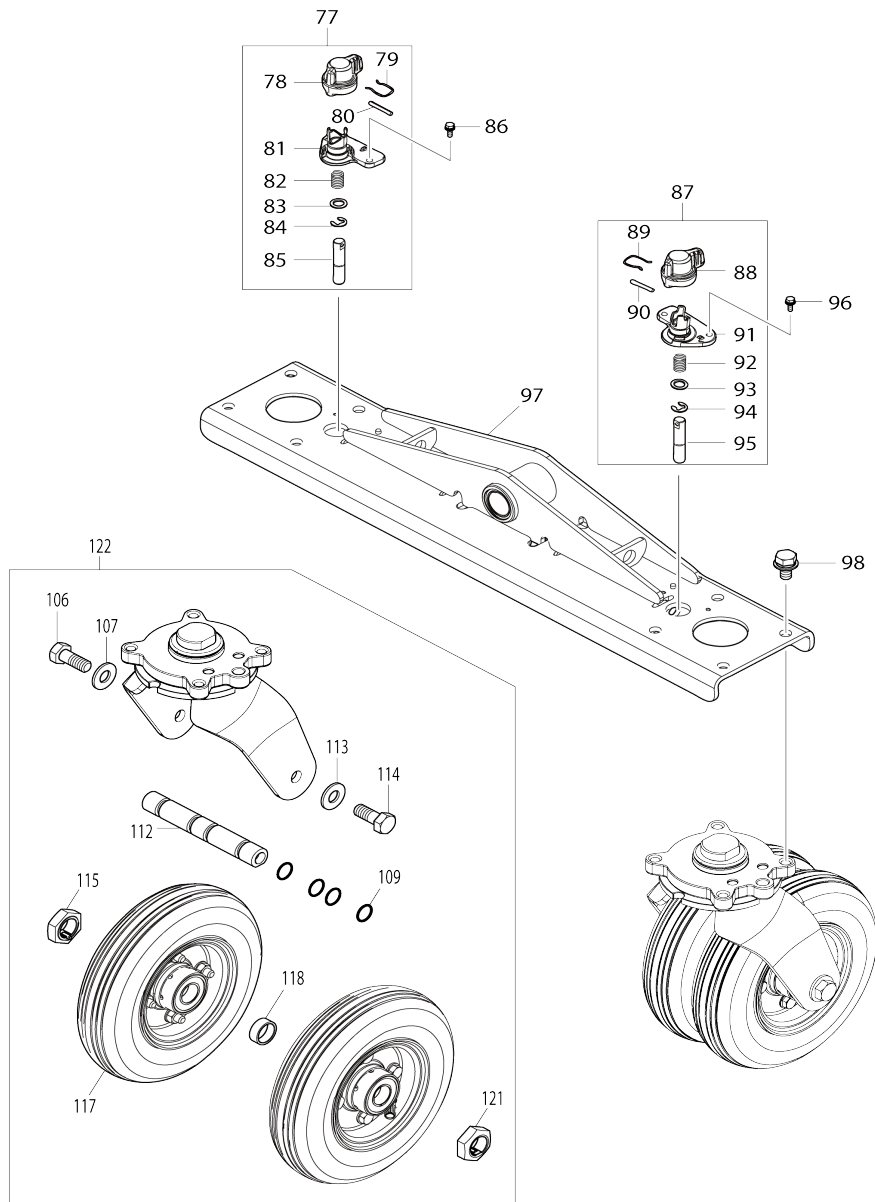
Model No.DCU602 BATTERY POWERED WHEELBARROW



Model No.DCU602 BATTERY POWERED WHEELBARROW

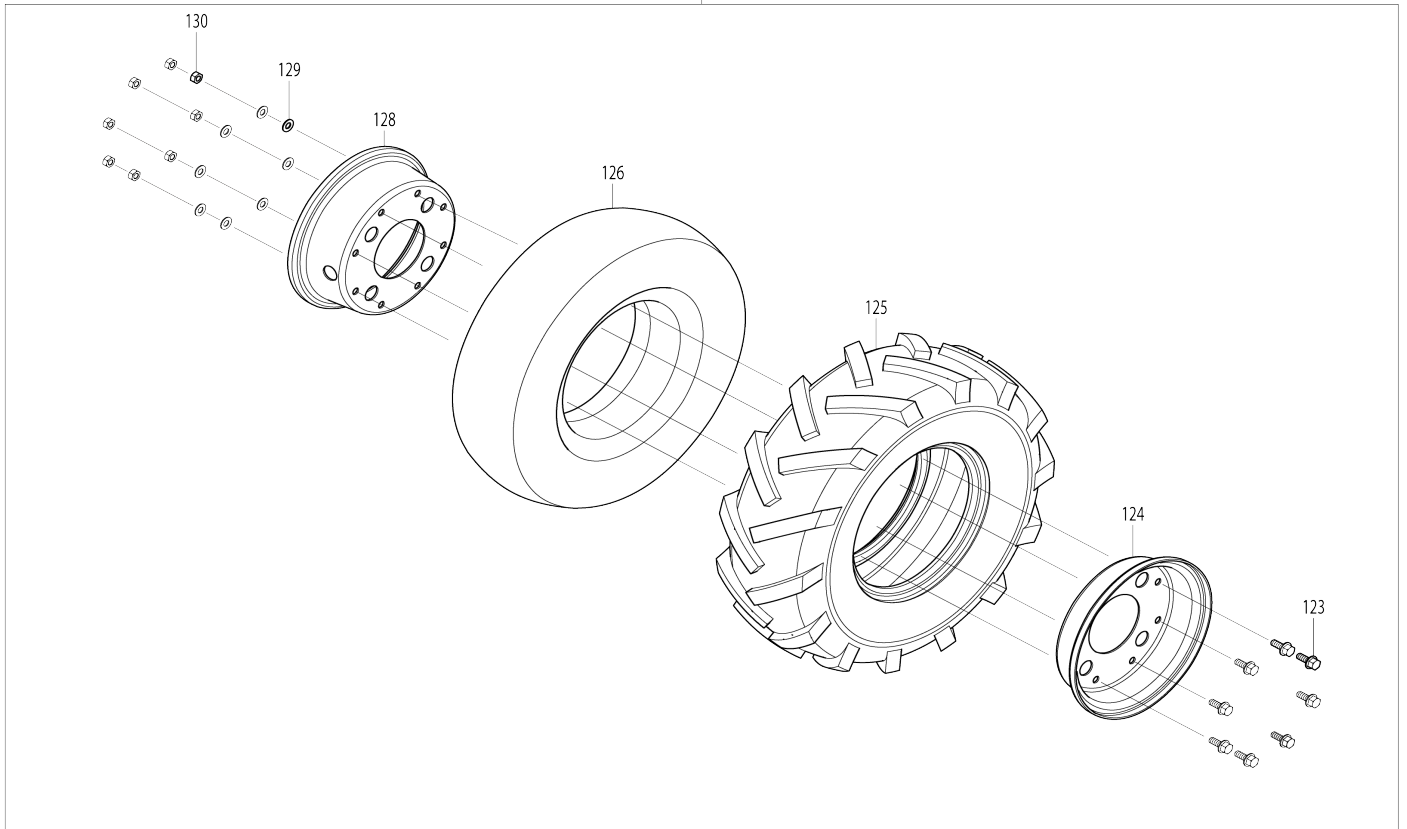


Model No.DCU602 BATTERY POWERED WHEELBARROW

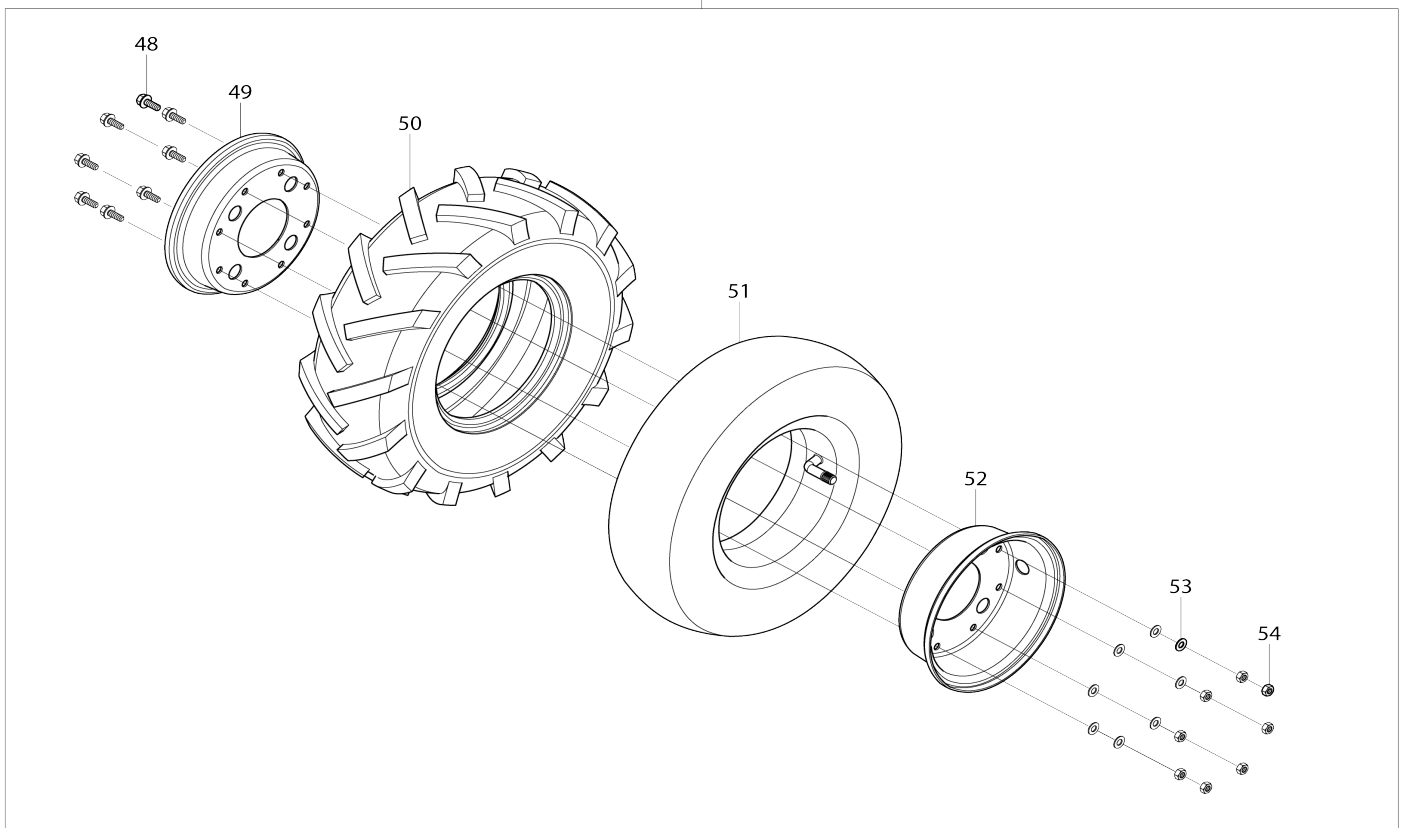


Model No.DCU602 BATTERY POWERED WHEELBARROW

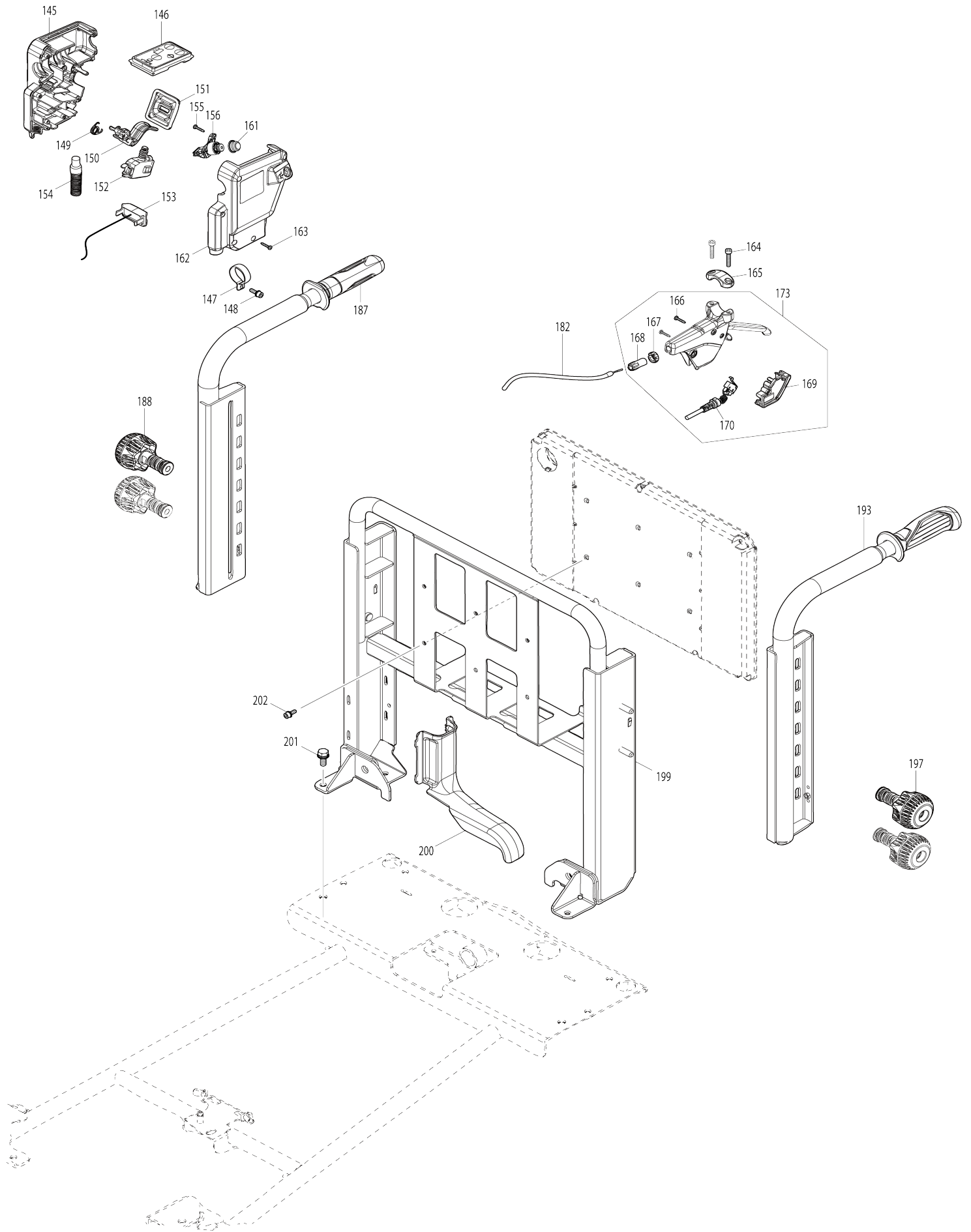
42



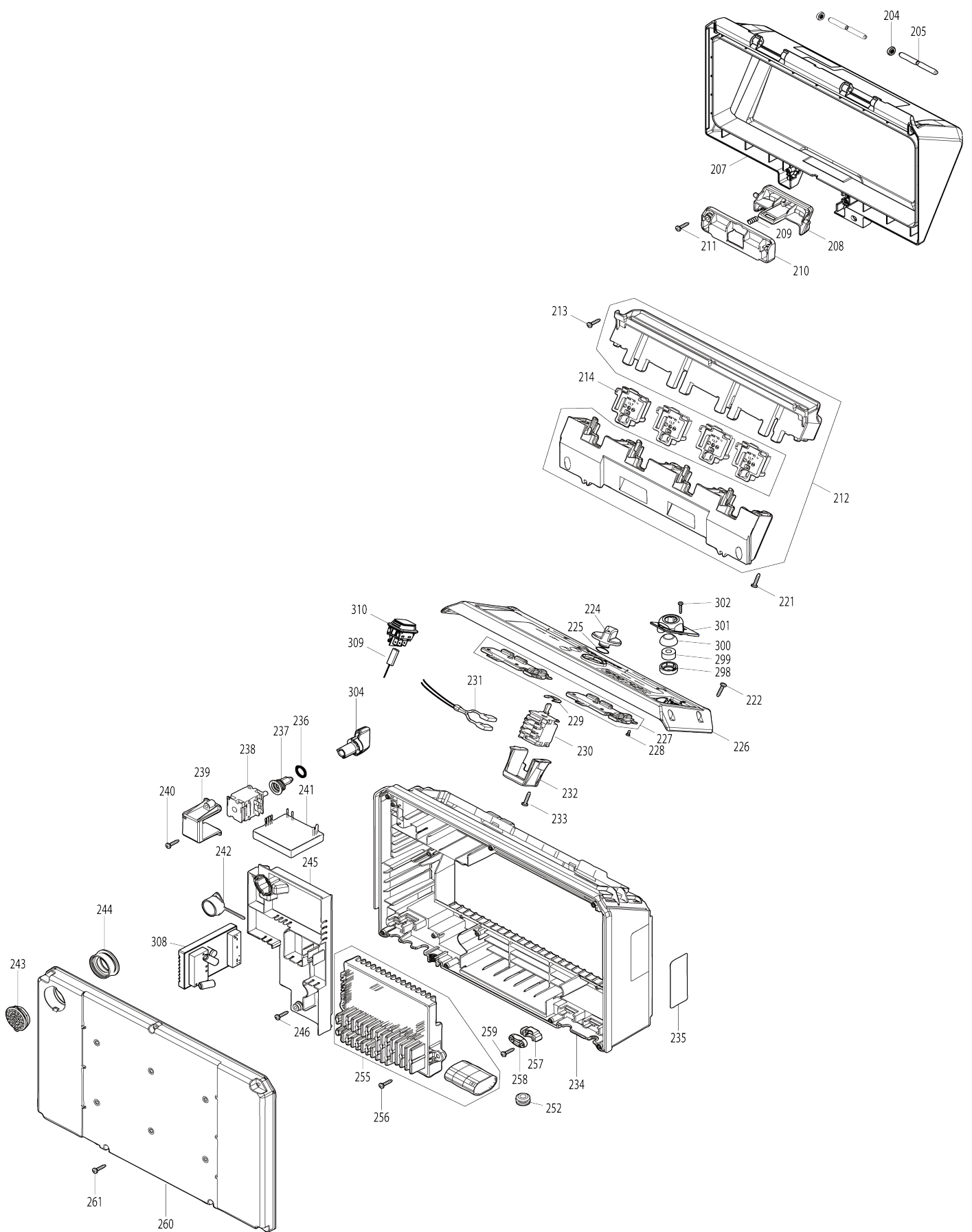
44



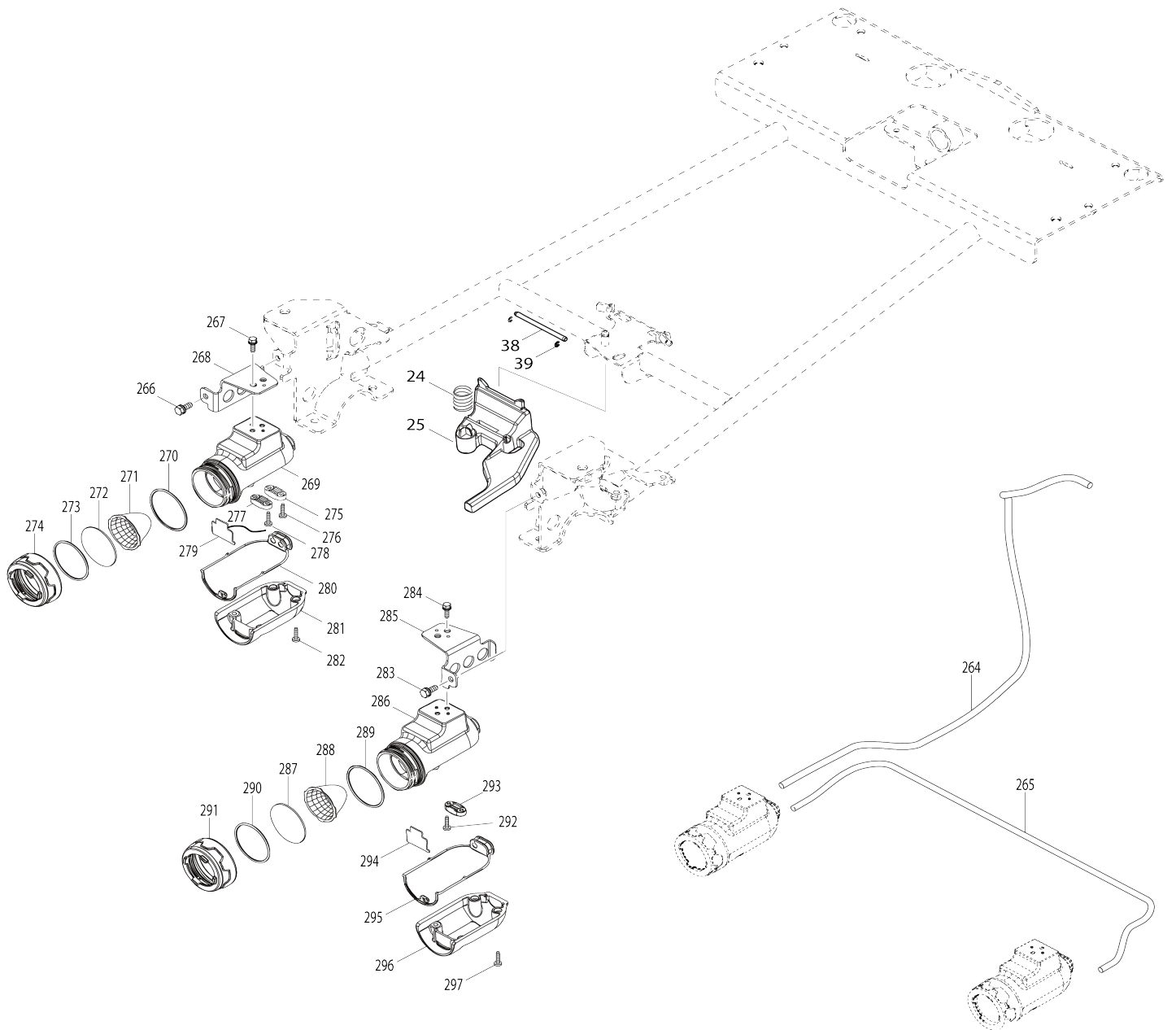
Model No.DCU602 BATTERY POWERED WHEELBARROW



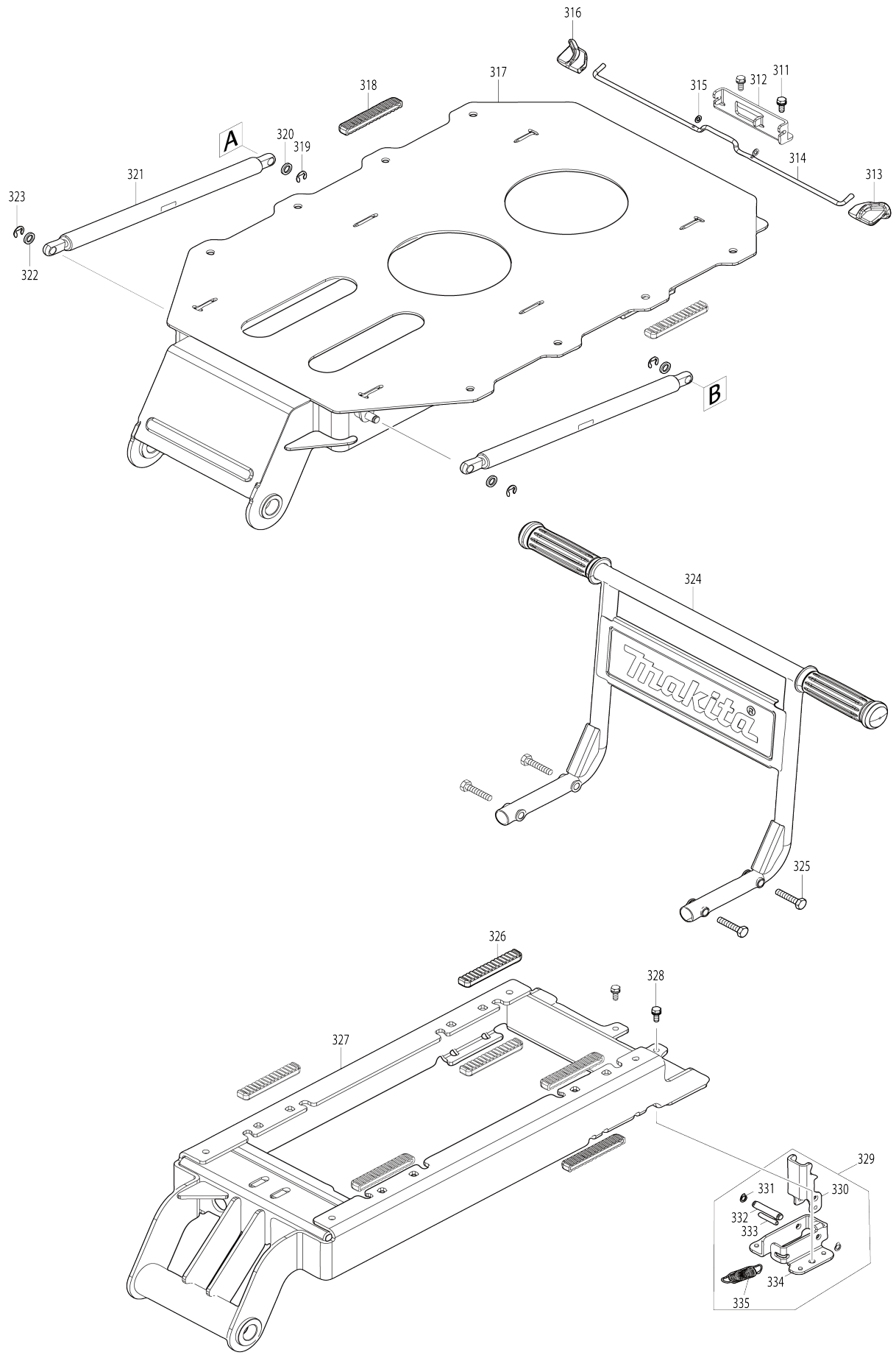
Model No.DCU602 BATTERY POWERED WHEELBARROW



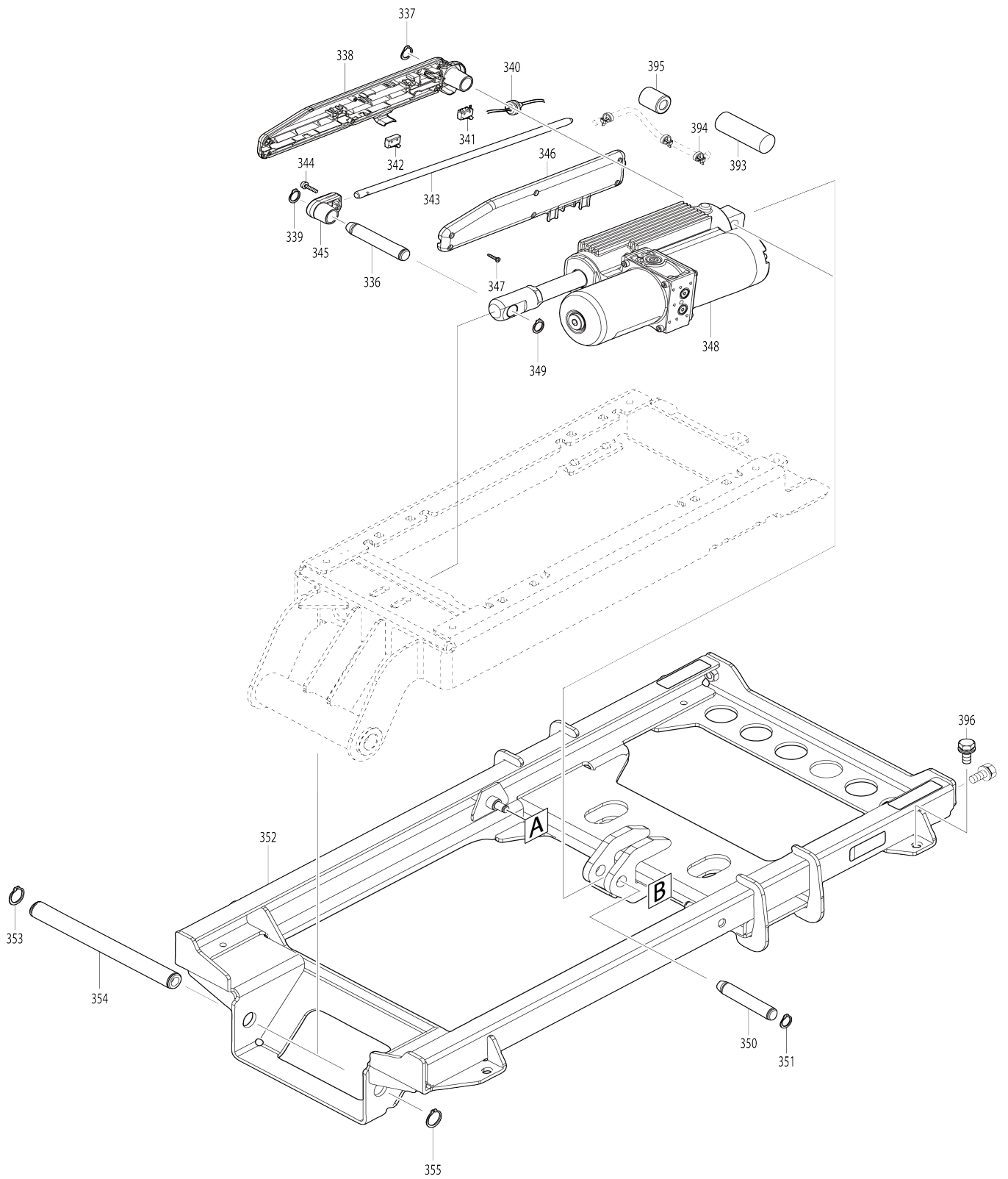
Model No.DCU602 BATTERY POWERED WHEELBARROW



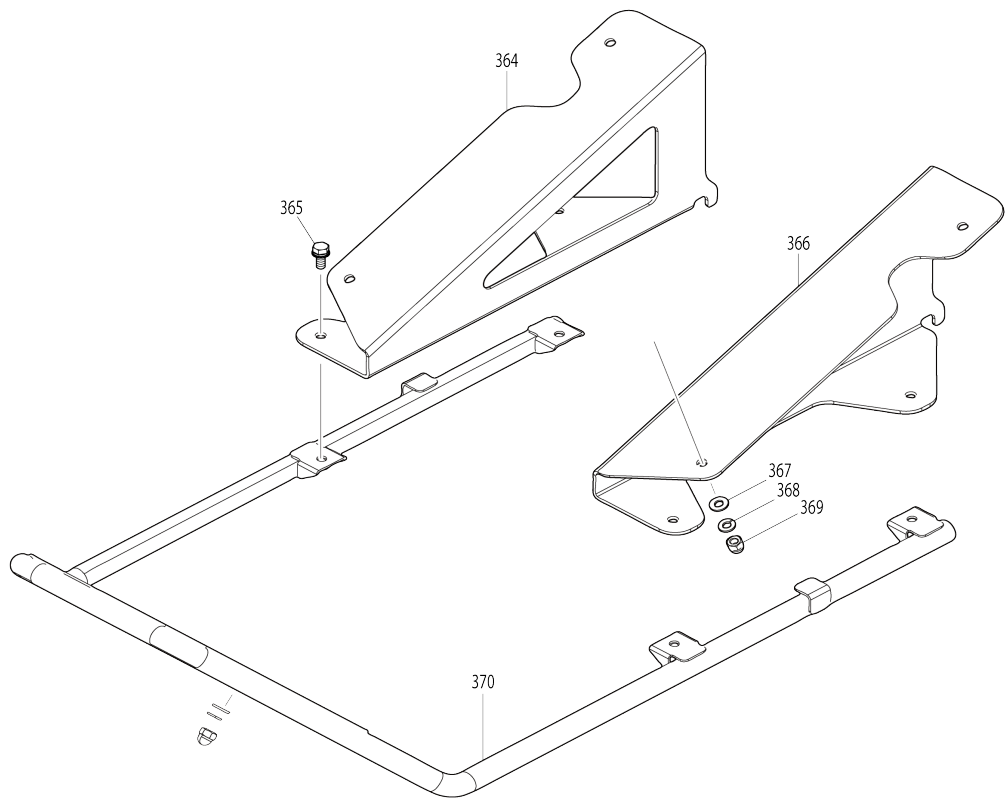
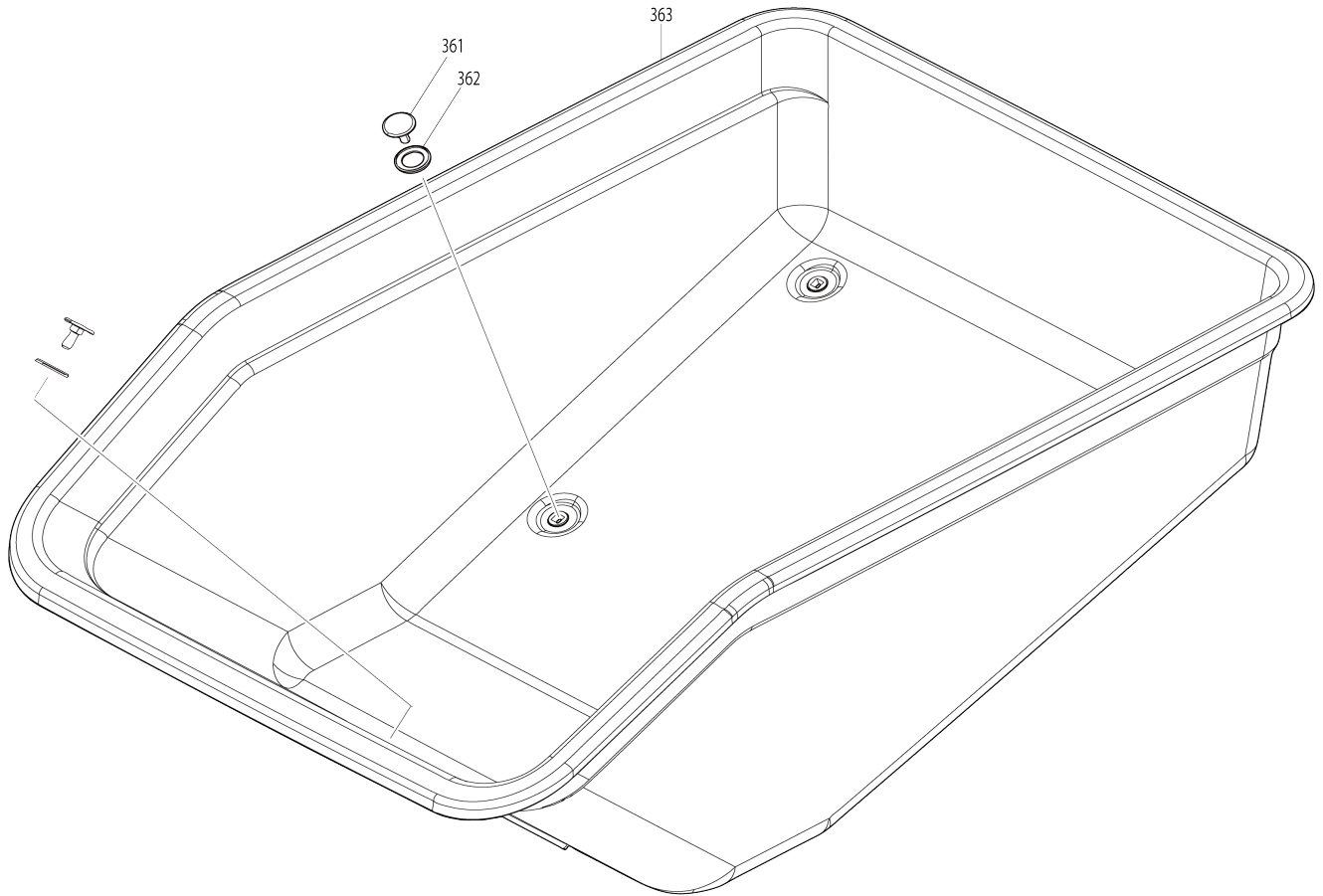
Model No.DCU602 BATTERY POWERED WHEELBARROW



Model No.DCU602 BATTERY POWERED WHEELBARROW



Model No.DCU602 BATTERY POWERED WHEELBARROW



Model No.DCU602 BATTERY POWERED WHEELBARROW

物件編號	零件編號	說明	互換性	數量	新/舊	註1	註2
001	412561-2	CORD COVER		1			
002	265B11-6	HEX. BOLT M8X20 WITH WR		1			
003	141P49-8	MAIN FRAME COMPLETE		1			
C10	8064B2-0	INDICATION LABEL		1			
004	256940-2	PIN 14		1			
005	327472-7	BASE SHAFT 25		1			
006	961062-2	止動環 (外) E-12		1			
008	261163-9	RUBBER WASHER 25		1			
009	687F01-7	BAND		1			
010	265D23-1	HEX. S.H.B M6X22 WITH GM		2			
011	136868-9	BRAKE CALIPER R ASS'Y		1			
D10		INC. 305					
012	265C76-4	HEX. BOLT M5X35 WITH WR		2			
014	347993-3	SCRAPER		1			
015	347995-9	CLAMP R		1			
016	265C76-4	HEX. BOLT M5X35 WITH WR		2			
018	347994-1	CLAMP L		1			
019	347993-3	SCRAPER		1			
020	265D23-1	HEX. S.H.B M6X22 WITH GM		2			
021	136869-7	BRAKE CALIPER L ASS'Y		1			
D10		INC. 306					
022	265B11-6	HEX. BOLT M8X20 WITH WR		2			
023	265B11-6	HEX. BOLT M8X20 WITH WR		2			
024	232737-3	COMPRESSION SPRING 19		1			
025	413D27-9	NEUTRAL LEVER LOCK		1			
026	265C46-3	HEX. BOLT M4X12 WITH WG		1			
027	413D28-7	BRAKE EQUALIZER COVER		1			
028	347629-4	CABLE CLAMP		1			
029	265B14-0	H.S.H.BOLT M6X20 WITH WR		1			
030	961004-6	扣環(EXT) S-8		1			
031	253165-9	平墊圈 8		3			
032	319906-4	BRAKE EQUALIZER R		1			
033	140P25-9	BRAKE CABLE 370		1			
034	319905-6	BRAKE EQUALIZER L		1			
036	140P25-9	BRAKE CABLE 370		1			
038	256A03-0	ROD 4.5		1			
039	961017-7	止動環 (外) E-3		2			
040	252289-8	HEX. CAP NUT M14		4			
041	253475-4	SPRING WASHER 14		4			
042	141G99-9	TIRE 330 R ASSEMBLY		1			
D10		INC. 123-126,128-130					
044	141H00-0	TIRE 330 L ASSEMBLY		1			
D10		INC. 48-54					
045	253475-4	SPRING WASHER 14		4			
046	252289-8	HEX. CAP NUT M14		4			
047	347621-0	CLAMP 57		2			
048	265C39-0	HEX. FLANGE HD. BOLT M6X1		8			

		6				
049	347950-1	WHEEL 150		1		
050	422857-3	TIRE 330		1		
051	162B39-4	TUBE 330		1		
C10	GQ00000001	VALVE CAP M8		1		
052	347949-6	WHEEL 150		1		
053	253551-4	FLAT WASHER 6		8		
054	252308-0	HEX. NUT M6-10		8		
058	122E51-4	MOTOR ASSEMBLY		1		
059	347698-5	DIFF BRACKET		1		
060	347A16-3	NEUTRAL LEVER		1		
061	347697-7	NEUTRAL LEVER HOLDER		1		
062	232616-5	TORSION SPRING 14		1		
063	413D41-5	NEUTRAL CHANGE LEVER		1		
064	253430-6	平墊圈 8		1		
065	265465-5	凸肩六角頭螺栓 M6X13.2		1		
066	NP00000001	SPLIT PIN 3-35		2		
067	NP00000002	HEX. NUT M20		2		
068	NP00000003	SPRING WASHER 22		2		
069	313304-4	HUB		2		
070	347208-8	制動盤		2		
071	141P62-6	PLATE COMPLETE		2		
072	265C87-9	H.S.B. HEAD SCREW M5X12		12		
073	327626-6	SLEEVE 25		2		
074	NP00000004	KEY 6		2		
075	122D22-5	DIFFERENTIAL GEAR UNIT		1		
D10		INC. 66-74				
077	122C29-5	TURNING LOCK R ASSEMBLY		1		
D10		INC. 78-85				
078	413D33-4	LOCK LEVER		1		
079	327938-7	SNAP RETAINER		1		
080	268181-8	插銷 3		1		
081	413D32-6	LIFTER GUIDE R		1		
082	232617-3	COMPRESSION SPRING 10		1		
083	253173-0	平墊圈 10		1		
084	961013-5	止動環 (外) E-7		1		
085	256A04-8	PIN 10		1		
086	265C46-3	HEX. BOLT M4X12 WITH WG		2		
087	122C28-7	TURNING LOCK L ASSEMBLY		1		
D10		INC. 88-95				
088	413D33-4	LOCK LEVER		1		
089	327938-7	SNAP RETAINER		1		
090	268181-8	插銷 3		1		
091	413D31-8	LIFTER GUIDE L		1		
092	232617-3	COMPRESSION SPRING 10		1		
093	253173-0	平墊圈 10		1		
094	961013-5	止動環 (外) E-7		1		
095	256A04-8	PIN 10		1		
096	265C46-3	HEX. BOLT M4X12 WITH WG		2		
097	162712-4	REAR BASE		1		

098	265B13-2	HEX. BOLT M10X20 WITH WG	8		
106	265B10-8	HEX BOLT M12X40	1		
107	253460-7	FLAT WASHER 13	1		
109	213A73-2	O-RING 15	4		
112	327646-0	AXLE 20	1		
113	253460-7	FLAT WASHER 13	1		
114	265B10-8	HEX BOLT M12X40	1		
115	136835-4	HEX. SLEEVE 20 ASS'Y	1		
C10	263027-3	橡膠銷 4	1		
117	141H01-8	TIRE 210 ASSEMBLY	2		
D10		INC. 131-134,136-139			
118	257498-4	RING 20	1		
121	136835-4	HEX. SLEEVE 20 ASS'Y	1		
C10	263027-3	橡膠銷 4	1		
122	127457-1	CASTER 210 ASSEMBLY	2		
D10		INC. 106,107,109,112-115,			
D20		INC. 117,118,121			
123	265C39-0	HEX. FLANGE HD. BOLT M6X1 6	8		
124	347950-1	WHEEL 150	1		
125	422857-3	TIRE 330	1		
126	162B39-4	TUBE 330	1		
C10	GQ00000001	VALVE CAP M8	1		
128	347949-6	WHEEL 150	1		
129	253551-4	FLAT WASHER 6	8		
130	252308-0	HEX. NUT M6-10	8		
131	265C40-5	HEX. BOLT M8X20	4		
132	253552-2	FLAT WASHER 8	4		
133	347952-7	WHEEL 100	1		
134	422860-4	TIRE 210	1		
136	162B40-9	TUBE 210	1		
C10	GQ00000001	VALVE CAP M8	1		
137	347951-9	WHEEL 100	1		
138	253552-2	FLAT WASHER 8	4		
139	252309-8	HEX. NUT M8-13	4		
145	183X90-3	SWITCH BOX SET	1		
C10	8065A9-5	CAUTION LABEL	1		
D10		INC. 162			
146	140P26-7	SWITCH CIRCUIT COMPLETE	1		
C10	183X57-1	SWITCH PLATE SET	1		
C20	266490-9	平頭自攻螺絲 2X6	3		
147	346249-1	管夾 28	1		
148	265A97-4	內六角頭螺絲 M5X16 WR	1		
149	232738-1	TORSION SPRING 11	1		
150	412206-2	SWITCH LEVER	1		
151	422554-1	LEVER COVER	1		
152	651395-0	開關 C3JW-6B-PA6N	1		
153	620C26-0	LED CIRCUIT	1		
154	699178-0	POWER SUPPLY CORD UNIT	1		
155	266130-9	扁圓頭自攻螺絲 3X16	2		

156	122C26-1	BUZZER SWITCH ASSEMBLY	1		
C10	632T14-7	SWITCH UNIT	1		
161	422555-9	SWITCH COVER	1		
162	183X90-3	SWITCH BOX SET	1		
C10	8065A9-5	CAUTION LABEL	1		
D10		INC. 145			
163	266130-9	扁圓頭自攻螺絲 3X16	6		
164	265C98-4	HEX SOCKET HEAD BOLT M5X 25	2		
165	312C48-1	CLAMP 22	1		
166	266130-9	扁圓頭自攻螺絲 3X16	2		
167	312C44-9	ADJUST NUT	1		
168	312C43-1	ADJUST BOLT	1		
169	413D25-3	SWITCH HOLDER	1		
170	632T13-9	SWITCH UNIT	1		
173	127458-9	BRAKE LEVER ASSEMBLY	1		
D10		INC. 166-170			
182	140P23-3	BRAKE CABLE 1590	1		
187	140T47-3	HANDLE R COMPLETE	1		
188	141H20-4	HANDLE LOCK KNOB	2		
C10	232739-9	COMPRESSION SPRING 15	2		
C20	313400-8	SPRING HOLDER	2		
193	140P15-2	HANDLE L COMPLETE	1		
197	141H20-4	HANDLE LOCK KNOB	2		
C10	232739-9	COMPRESSION SPRING 15	2		
C20	313400-8	SPRING HOLDER	2		
199	141N97-5	HANDLE BASE COMPLETE	1		
C10	8059G2-2	INDICATION LABEL	1		
200	412562-0	HANDLE BASE COVER	1		
201	265B11-6	HEX. BOLT M8X20 WITH WR	4		
202	265A96-6	內六角頭螺栓 M5X14 WR	6		
204	262206-0	RUBBER RING 6	2		
205	256942-8	ROD 6	2		
207	141K01-6	BATTERY COVER COMPLETE	1		
C10	8048W7-5	CAUTION LABEL	1		
C20	8059G1-4	INDICATION LABEL	1		
C30	816M70-5	運作標籤	1		
208	412195-1	BATTERY COVER HOOK	1		
209	231240-1	壓縮彈簧 7	1		
210	412533-7	HOOK RETAINER	1		
211	266326-2	扁圓頭自攻螺絲 4X18	2		
212	183V34-1	TERMINAL CASE SET	1		
C10	263005-3	橡膠銷 6	8		
213	266326-2	扁圓頭自攻螺絲 4X18	5		
214	644809-6	端子	4		
215	961004-6	扣環(EXT) S-8	1		
216	265C85-3	HEX SOCKET HEAD BOLT M6X 12	2		
217	265C86-1	HEX SOCKET HEAD BOLT M6X 22	2		
218	265C86-1	HEX SOCKET HEAD BOLT M6X	3		

		22				
219	347A43-0	SPACER 6		3		
221	266326-2	扁圓頭自攻螺絲 4X18		5		
222	266326-2	扁圓頭自攻螺絲 4X18		4		
224	412196-9	CHANGE LEVER		1		
225	213A15-6	O-RING 14		1		
226	140P19-4	TOP COVER COMPLETE		1		
C10	8048W3-3	INDICATION LABEL		1		
227	620C24-4	INDICATION CIRCUIT		1		
228	265C42-1	TAPPING SCREW 3X6		10		
229	961062-2	止動環 (外) E-12		1		
230	651444-3	開關 1703.4703		1		
231	638A27-2	LEAD UNIT		1		
232	451343-7	開關固定座		1		
233	266326-2	扁圓頭自攻螺絲 4X18		2		
234	412188-8	CENTER CASE		1		
235	858Y58-1	DCU602 NAME PLATE		1		
236	213A15-6	O-RING 14		1		
237	413D29-5	KEY JOINT		1		
238	650622-2	開關		1		
239	451343-7	開關固定座		1		
240	266326-2	扁圓頭自攻螺絲 4X18		2		
241	620G67-0	CONTROLLER		1		
242	620C25-2	BUZZER CIRCUIT		1		
243	413D35-0	BUZZER COVER		1		
244	422840-0	GROMMET		1		
245	412194-3	INNER CASE		1		
246	266326-2	扁圓頭自攻螺絲 4X18		2		
252	682141-0	GROMMET		1		
255	620C21-0	CONTROLLER		1		
256	266326-2	扁圓頭自攻螺絲 4X18		2		
257	687051-6	電纜固定夾		3		
258	687124-5	電纜固定夾		3		
259	266326-2	扁圓頭自攻螺絲 4X18		6		
260	412190-1	FRONT COVER		1		
261	266326-2	扁圓頭自攻螺絲 4X18		7		
264	699180-3	POWER SUPPLY CORD UNIT		1		
265	699181-1	POWER SUPPLY CORD UNIT		1		
266	265B16-6	HEX. BOLT M6X16 WITH WR		1		
267	265B17-4	HEX. BOLT M5X16 WITH WR		2		
268	347622-8	LIGHT STAY R		1		
269	319594-7	燈箱		1		
270	213656-2	O-形環 53		1		
271	457636-0	反光器		1		
272	457634-4	鏡頭		1		
273	213604-1	O-形環 50		1		
274	457635-2	外蓋		1		
275	687124-5	電纜固定夾		1		
276	266034-5	扁圓頭自攻螺絲 4X16		2		
277	687124-5	電纜固定夾		1		

278	266034-5	扁圓頭自攻螺絲 4X16	2		
279	620685-2	LED 電路	1		
280	422151-3	包材	1		
281	319595-5	燈箱蓋	1		
282	266034-5	扁圓頭自攻螺絲 4X16	4		
283	265B16-6	HEX. BOLT M6X16 WITH WR	1		
284	265B17-4	HEX. BOLT M5X16 WITH WR	2		
285	347623-6	LIGHT STAY L	1		
286	319594-7	燈箱	1		
287	457634-4	鏡頭	1		
288	457636-0	反光器	1		
289	213656-2	O-形環 53	1		
290	213604-1	O-形環 50	1		
291	457635-2	外蓋	1		
292	266034-5	扁圓頭自攻螺絲 4X16	2		
293	687124-5	電纜固定夾	1		
294	620685-2	LED 電路	1		
295	422166-0	包材	1		
296	319595-5	燈箱蓋	1		
297	266034-5	扁圓頭自攻螺絲 4X16	4		
298	413D37-6	LEVEL CASE	1		
299	242101-0	LEVEL INDICATOR	1		
300	413D36-8	LEVEL COVER	1		
301	413D38-4	LEVEL RETANER	1		
302	266130-9	扁圓頭自攻螺絲 3X16	2		
303	687F00-9	BAND	1		
304	413D30-0	KEY	1		
305	422961-8	PAD RETAINER	1		
306	422961-8	PAD RETAINER	1		
307	941201-0	平墊圈 8	1		
308	620C22-8	CONTROLLER	1		
309	638A28-0	LEAD UNIT	1		
310	651488-3	SWITCH 1939.3322	1		
311	265B16-6	HEX. BOLT M6X16 WITH WR	2		
312	347628-6	HOLDER	1		
313	412197-7	KNOB	1		
314	327470-1	ROD 5	1		
315	941102-2	平墊圈 5	2		
316	412197-7	KNOB	1		
317	162717-4	UPPER FRAME	1		
318	422556-7	CUSHION RUBBER	2		
319	961014-3	止動環 (外) E-8	2		
320	941252-3	平墊圈 10	2		
321	162816-2	GAS SPRING 240	2		
322	941252-3	平墊圈 10	2		
323	961014-3	止動環 (外) E-8	2		
324	140P16-0	DUMP HANDLE COMPLETE	1		
C10	8048W5-9	MAKITA LOGO LABEL	1		
325	921461-0	六角頭螺栓 M8X40 W	4		
326	422556-7	CUSHION RUBBER	6		

327	162735-2	LOWER FRAME		1		
328	265B16-6	HEX. BOLT M6X16 WITH WR		2		
329	122C30-0	DUMP LOCK ASSEMBLY		1		
D10		INC. 330-335				
330	347626-0	ARM		1		
331	961004-6	扣環(EXT) S-8		2		
332	256943-6	PIN 8		1		
333	256196-7	插銷 5		1		
334	347627-8	BASE		1		
335	232618-1	TENSION SPRING 11		1		
336	327479-3	ROD END SHAFT 16		1		
337	961056-7	扣環(EXT) S-16		1		
338	412201-2	SWITCH CASE		1		
339	961056-7	扣環(EXT) S-16		1		
340	699179-8	POWER SUPPLY CORD UNIT		1		
341	632L48-2	開關單元		1		
342	632T59-5	SWITCH UNIT		1		
343	256941-0	ROD 8		1		
344	911139-3	平頭螺絲 M4X20 WG		1		
345	412203-8	ROD END		1		
346	412202-0	SWITCH COVER		1		
347	266130-9	扁圓頭自攻螺絲 3X16		6		
348	162738-6	HYDRAULIC UNIT		1		
349	961056-7	扣環(EXT) S-16		1		
350	327479-3	ROD END SHAFT 16		1		
351	961056-7	扣環(EXT) S-16		1		
352	141N99-1	ELECTRIC DUMP BASE COMPLETE		1		
C10	8059G3-0	CAUTION LABEL		2		
C20	8059G6-4	INDICATION LABEL		1		
C30	8059G7-2	INDICATION LABEL		1		
353	961102-6	扣環(EXT) S-22		1		
354	327474-3	SHAFT 22		1		
355	961102-6	扣環(EXT) S-22		1		
361	265B12-4	FLAT H. SQUARE NECK BOLT M8X24		6		
362	261164-7	RUBBER WASHER 20		6		
363	412198-5	DUMP BUCKET 200		1		
364	347624-4	BUCKET BASE R		1		
365	265B11-6	HEX. BOLT M8X20 WITH WR		4		
366	347625-2	BUCKET BASE L		1		
367	941201-0	平墊圈 8		6		
368	942201-3	彈簧墊圈 8		6		
369	252278-3	六角護蓋螺母 M8		6		
370	141N86-0	BUCKET GUARD COMPLETE		1		
C10	457744-7	護蓋 22		2		
396	265508-3	六角頭螺栓 M10X25		6		

請在訂購時註明零件編號。

列印日期 2023/10/18