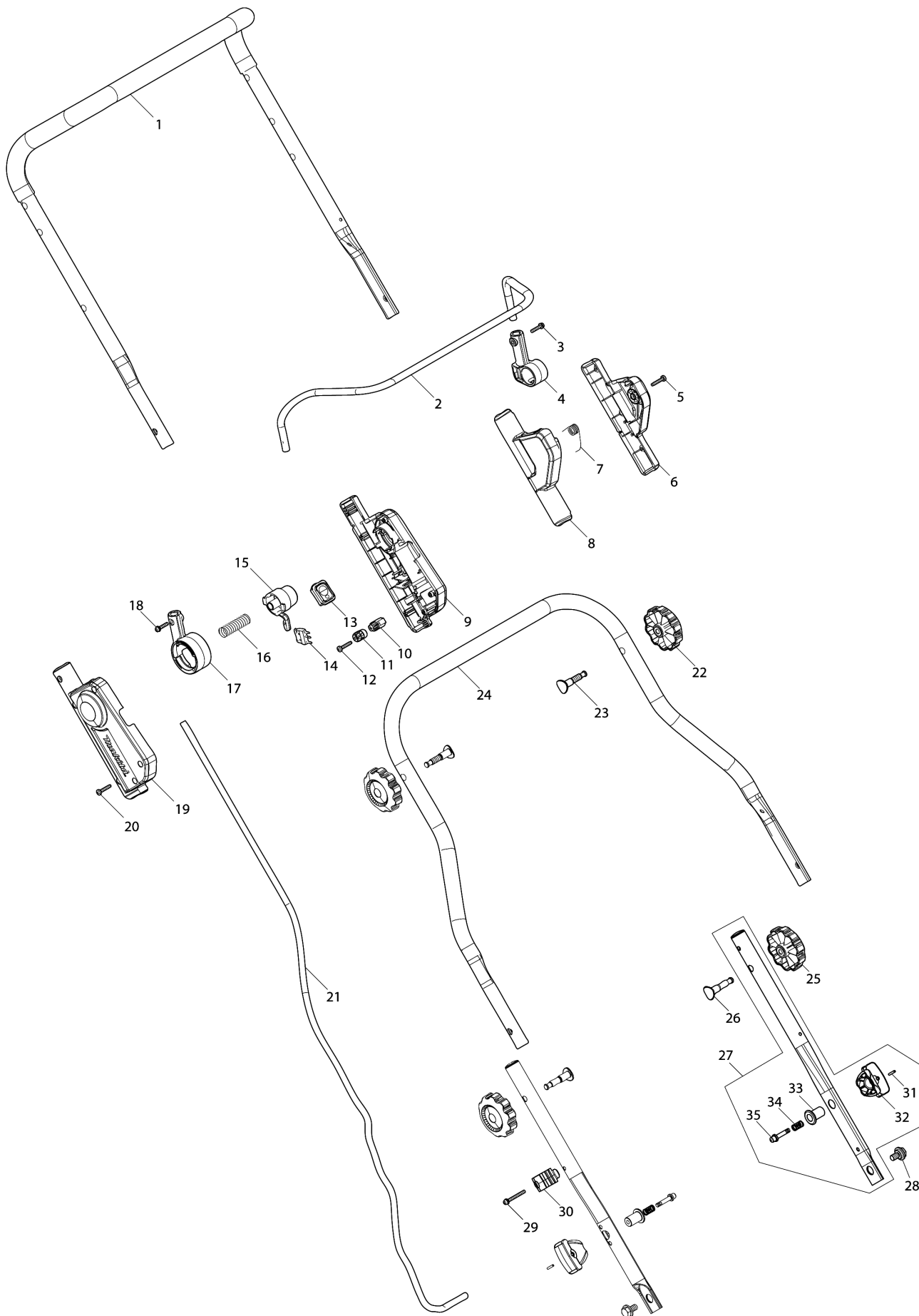
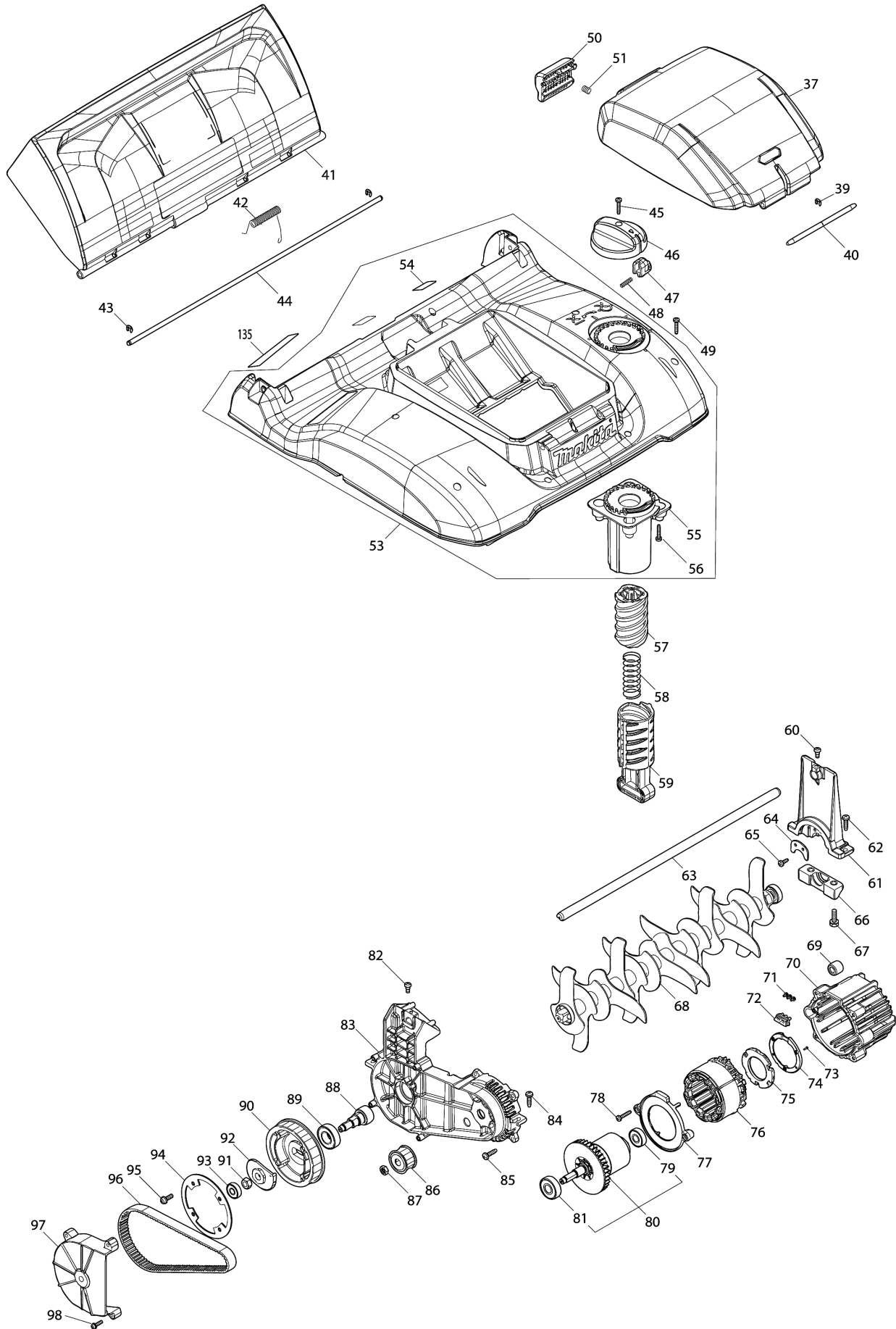


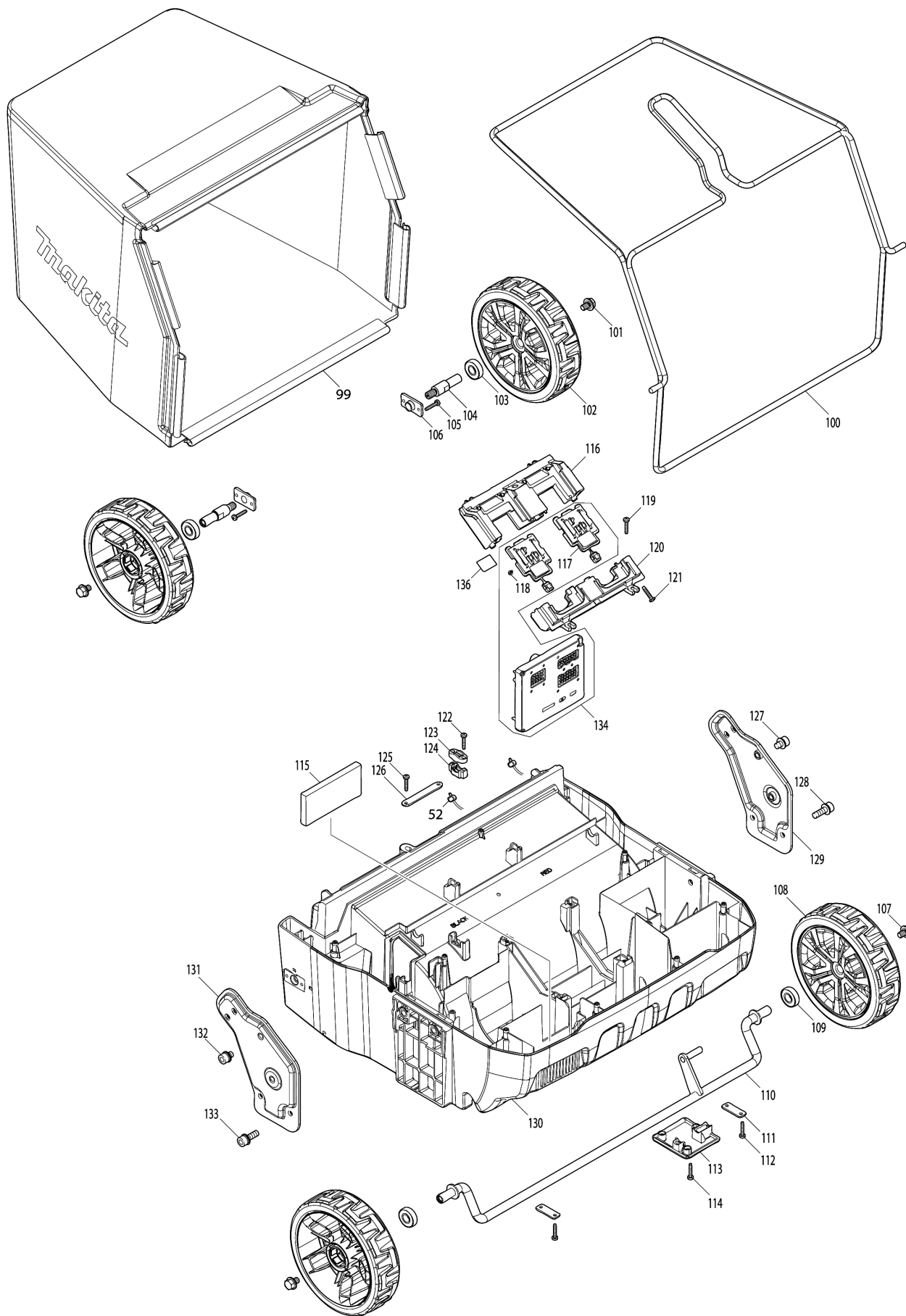
Model No.UV001G 380MM CORDLESS SCARIFIER



Model No.UV001G 380MM CORDLESS SCARIFIER



Model No.UV001G 380MM CORDLESS SCARIFIER



Model No.UV001G 380MM CORDLESS SCARIFIER

分解圖號	零件編號	品名	交換	數量	New/Old	選擇1	選擇2	註記
001	327871-3	HANDLE UPPER		1				
002	327424-8	SWITCH LEVER		1				
003	911138-5	P.H.SCREW M4X20 WITH WR		1				
004	459863-5	SWITCH LEVER SUPPORT L		1				
005	266424-2	TAPPING SCREW 4X20		4				
006	183U21-4	LEVER BOX SET		1				
D10		INC. 8						
007	232575-3	TORSION SPRING 12		1				
008	183U21-4	LEVER BOX SET		1				
D10		INC. 6						
009	1830B2-6	SWITCH BOX SET		1				
C10	8044A1-9	INDICATION LABEL		1				
D10		INC. 19						
010	687051-6	STRAIN RELIEF		1				
011	687123-7	STRAIN RELIEF		1				
012	266424-2	TAPPING SCREW 4X20		2				
013	140X08-7	SWITCH CIRCUIT COMPLETE		1				
014	632T11-3	SWITCH UNIT		1				
015	459857-0	LOCK OFF BUTTON		1				
016	231227-3	COMPRESSION SPRING 15		1				
017	459856-2	SWITCH LEVER SUPPORT R		1				
018	911138-5	P.H.SCREW M4X20 WITH WR		1				
019	1830B2-6	SWITCH BOX SET		1				
C10	8044A1-9	INDICATION LABEL		1				
D10		INC. 9						
020	266424-2	TAPPING SCREW 4X20		6				
021	699226-5	POWER SUPPLY CORD UNIT		1				
022	265C06-5	THUMB NUT M8		2				
023	265C08-1	FLAT HEAD BOLT M8X50		2				
024	327C02-2	HANDLE MIDDLE		1				
025	265C06-5	THUMB NUT M8		2				
026	265C08-1	FLAT HEAD BOLT M8X50		2				
027	122E95-4	HANDLE LOWER ASSEMBLY		2				
D10		INC. 31-35						
028	265C07-3	HEX. BOLT M8		2				
029	911163-6	PAN HEAD SCREW M4X35		1				
030	413944-9	CLAMP		1				
C10	931102-0	HEX. NUT M4		1				

031	258004-8	SPRING PIN 2.5-16		1				
032	413943-1	KNOB		1				
033	327877-1	LOCK HOLDER		1				
034	234121-8	COMPRESSION SPRING 8		1				
035	327876-3	LOCK PIN		1				
037	137022-8	BATTERY COVER ASSEMBLY		1				
C10	8025F3-0	XGT LOGO LABEL		1				
039	961018-5	STOP RING E-5		3				
040	327209-2	ROD 6		1				
041	141R98-7	REAR FLAP COMPLETE		1				
C10	8071A2-8	CAUTION LABEL		1				
042	232806-0	TORSION SPRING 8		1				
043	961018-5	STOP RING E-5		2				
044	256A39-9	ROD 6		1				
045	266424-2	TAPPING SCREW 4X20		1				
046	413R80-9	DIAL 75		1				
047	413R81-7	LOCK OFF BUTTON		1				
048	234003-4	COMPRESSION SPRING 5		1				
049	266424-2	TAPPING SCREW 4X20		9				
050	413B03-1	LOCK LEVER		1				
051	231037-8	COMPRESSION SPRING 7		1				
052	620M29-4	LED CIRCUIT		1				
053	122E94-6	COWLING ASSEMBLY		1				
D10		INC. 54-56						
054	8031N0-1	INDICATION LABEL		2				
055	413R72-8	HOLDER		1				
056	266424-2	TAPPING SCREW 4X20		4				
057	413R79-4	ADJUST SCREW		1				
058	232385-8	COMPRESSION SPRING 23		1				
059	413R71-0	ADJUST SCREW HOLDER		1				
060	251306-1	+ PAN HEAD SCREW M5		1				
061	312E25-5	SHAFT HOLDER		1				
062	266021-4	TAPPING SCREW 5X20		2				
063	327C01-4	SHAFT 12		1				
064	347B58-3	BEARING RETAINER		1				
065	266026-4	TAPPING SCREW BIND CT 4X12		2				
066	413R76-0	BLADE UNDER BRACKET		1				
067	921331-3	HEX. BOLT M6X20		2				
068	1913J5-0	VERTICAL CUTTER SET		1				
070	459143-9	MOTOR HOUSING		1				
071	652031-1	PAN HEAD SCREW M3X6		3				
072	632R64-0	LEAD UNIT		1				
073	266490-9	TAPPING SCREW PT 2X6		3				

074	687B69-9	STOPPER		1				
075	620H75-7	CONTROLLER B		1				
076	629C28-3	STATOR		1				
077	413R69-7	BAFFLE PLATE		1				
078	266424-2	TAPPING SCREW 4X20		2				
079	210141-6	BALL BEARING 6000DDW		1				
080	519823-0	ROTOR ASS'Y		1				
D10		INC 79,81						
081	210195-3	BALL BEARING 6201DDW		1				
082	251306-1	+ PAN HEAD SCREW M5		1				
083	312E24-7	PULLEY HOLDER		1				
084	266021-4	TAPPING SCREW 5X20		3				
085	266021-4	TAPPING SCREW 5X20		4				
086	222204-6	PULLEY 20		1				
087	252154-1	HEX. NUT M8-13		1				
088	327B97-9	SHAFT 17		1				
089	210126-2	BALL BEARING 6003LLU		1				
090	222205-4	PULLEY 60		1				
091	931503-2	HEX. NUT M10		1				
092	313474-9	ECCENTRIC DISK		1				
093	210044-4	BALL BEARING 608DDW		1				
094	347B45-2	PULLEY PLATE 30		1				
095	911223-4	PAN HEAD SCREW M5X16		2				
096	225108-1	SYNCHRO BELT 15-525		1				
097	413R75-2	BEARING COVER		1				
098	911128-8	P.H.SCREW M4X16 WITH WR		4				
099	162C50-2	GRASS CATCHER		1				
100	162C49-7	GRASS CATCHER BRACKET		1				
101	265324-3	HEX. FLANGE HEAD BOLT M8X12		2				
102	141E34-5	TIRE 180 COMPLETE		2				
103	210216-1	BALL BEARING 6001DDW		2				
104	327B98-7	REAR SHAFT		2				
105	266424-2	TAPPING SCREW 4X20		4				
106	313475-7	REAR SHAFT HOLDER		2				
107	265324-3	HEX. FLANGE HEAD BOLT M8X12		2				
108	141E34-5	TIRE 180 COMPLETE		2				
109	210216-1	BALL BEARING 6001DDW		2				
110	162C48-9	FRONT SHAFT		1				
111	347869-4	PLATE		2				
112	266424-2	TAPPING SCREW 4X20		4				
113	413R70-2	UNDER COVER		1				

114	266424-2	TAPPING SCREW 4X20		3				
115	422A35-1	SPONGE		1				
116	183X12-3	TERMINAL HOUSING SET		1				
C10	263005-3	RUBBER PIN 6		4				
D10		INC. 120						
117	632T08-2	TERMINAL UNIT		2				
118	652031-1	PAN HEAD SCREW M3X6		4				
119	266424-2	TAPPING SCREW 4X20		4				
120	183X12-3	TERMINAL HOUSING SET		1				
C10	263005-3	RUBBER PIN 6		4				
D10		INC. 116						
121	266424-2	TAPPING SCREW 4X20		3				
122	266424-2	TAPPING SCREW 4X20		2				
123	687123-7	STRAIN RELIEF		1				
124	687051-6	STRAIN RELIEF		1				
125	266424-2	TAPPING SCREW 4X20		2				
126	347B46-0	PLATE		1				
127	922413-4	H.S.H.BOLT M8X12 WITH WR		1				
128	922443-5	H.S.H.BOLT M8X25 WITH WR		2				
129	347B42-8	HANDLE BRACKET		1				
130	413R65-5	DECK		1				
131	347B41-0	HANDLE BRACKET R		1				
132	922413-4	H.S.H.BOLT M8X12 WITH WR		1				
133	922443-5	H.S.H.BOLT M8X25 WITH WR		2				
134	539268-6	CONTROLLER ASS'Y		1				
D10		INC. 117,118						
135	8141G7-3	UV001G NAME PLATE		1				
136	8141G9-9	UV001G SERIAL NO. LABEL		1				
A01	1913J7-6	THATCHING BLADE SET		1				
A02	782223-9	SOCKET WRENCH		1				

Please order the parts with part number.

Print Date 2023/9/1