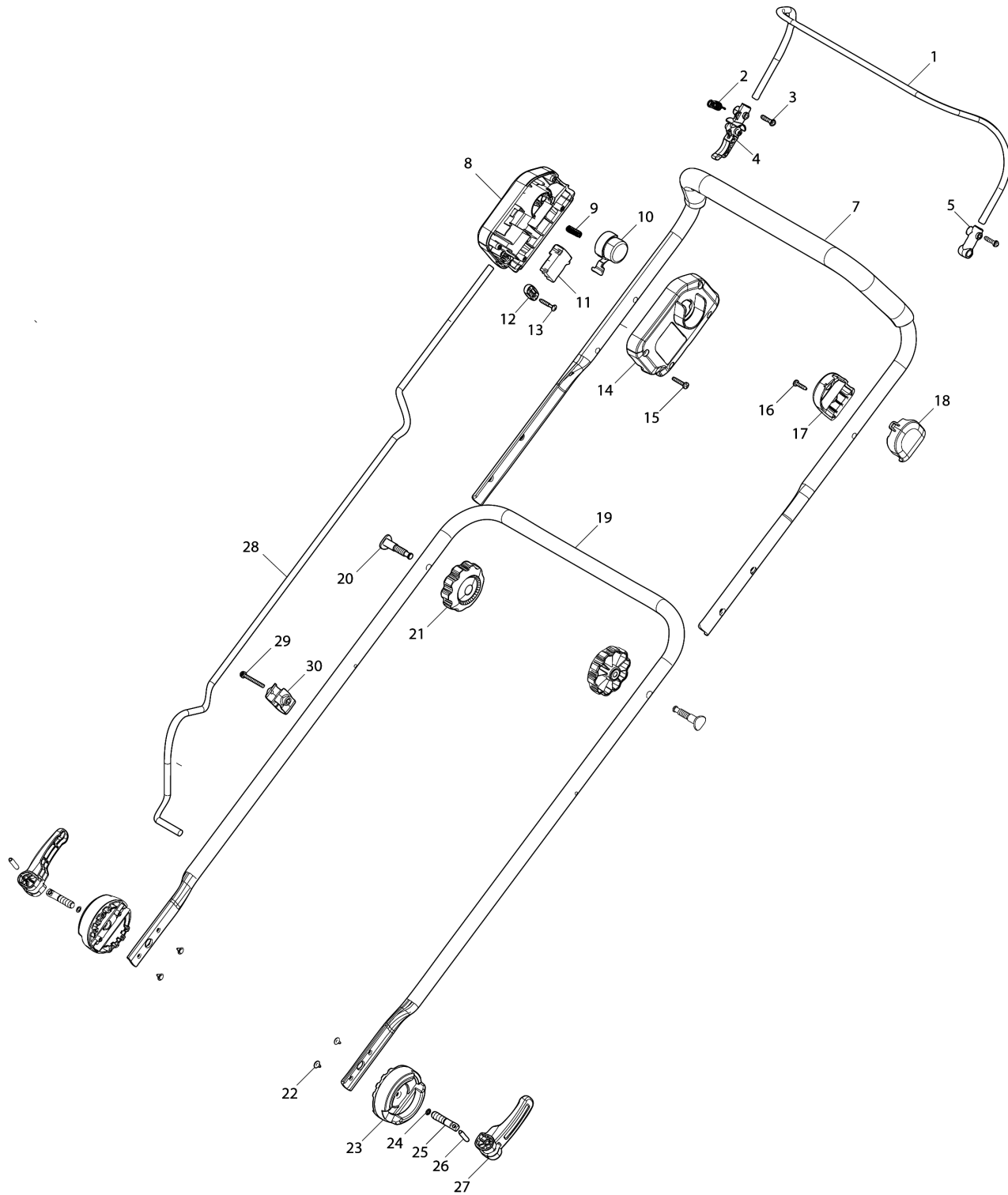
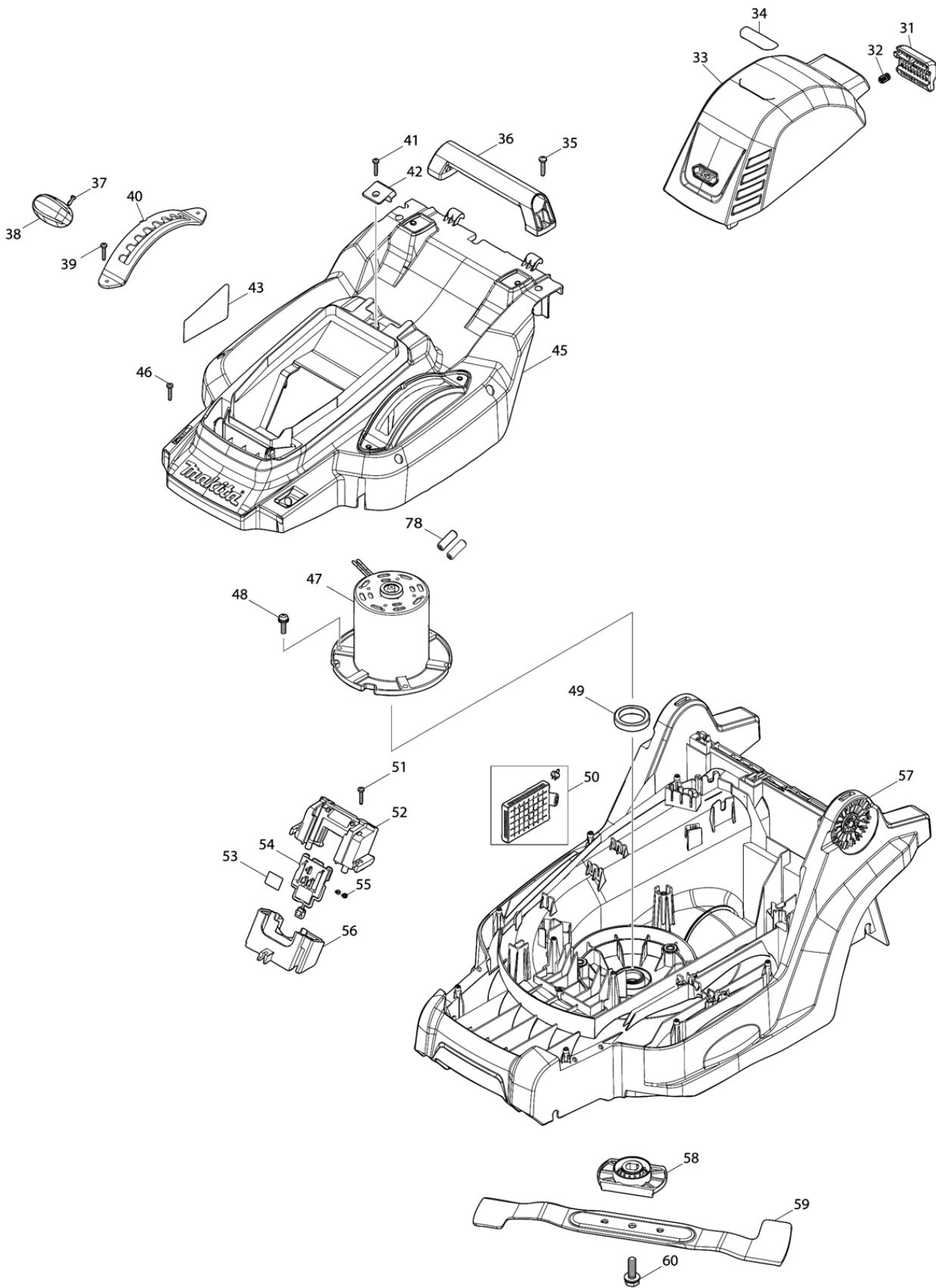


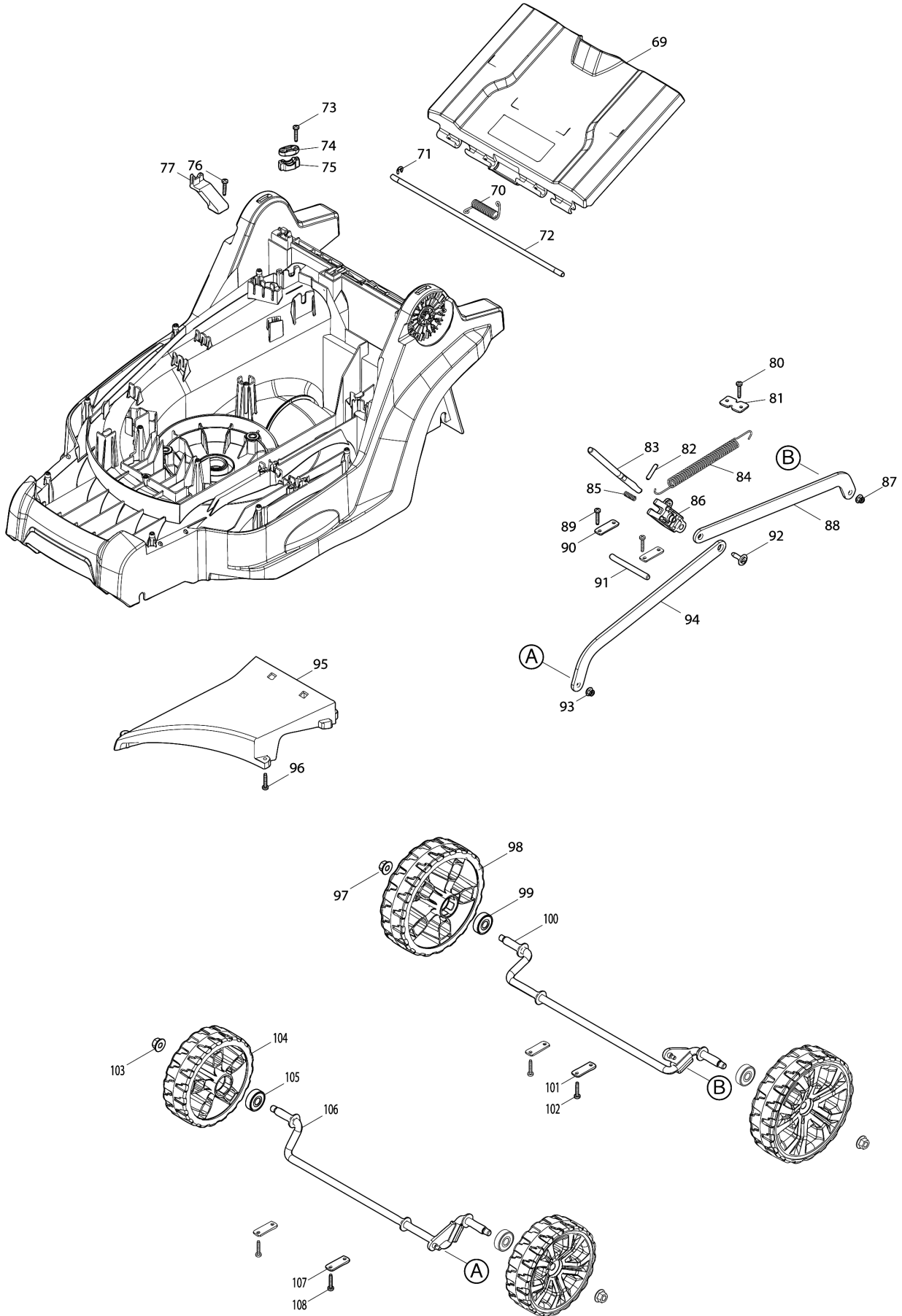
# Model No.LM004G 430MM CORDLESS LAWN MOWER



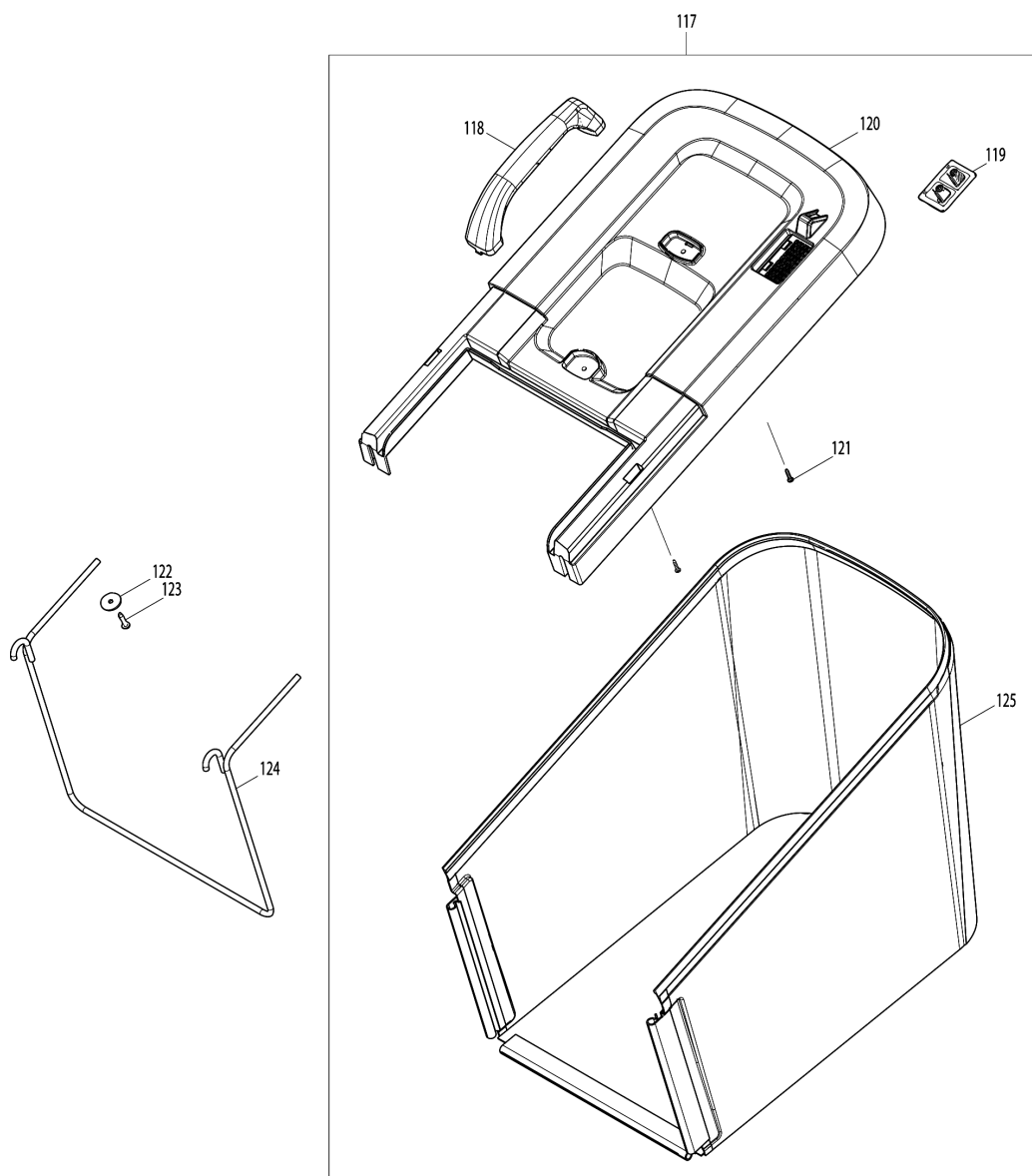
# Model No.LM004G 430MM CORDLESS LAWN MOWER



# Model No. LM004G 430MM CORDLESS LAWN MOWER



# Model No.LM004G 430MM CORDLESS LAWN MOWER



## Model No.LM004G 430MM CORDLESS LAWN MOWER

分解圖號	零件編號	品名	交換	數量	New/Old	選擇1	選擇2	註記
001	327C33-1	SWITCH LEVER		1				
002	232814-1	TENSION SPRING 7		1				
003	911138-5	P.H.SCREW M4X20 WITH WR		2				
004	455075-8	LEVER		1				
005	455078-2	ARM		1				
007	141T11-7	UPPER PIPE COMPLETE		1				
008	1830C3-1	SWITCH BOX SET		1				
C10	8053U7-4	INDICATION LABEL		1				
D10		INC. 14						
009	233068-3	COMPRESSION SPRING 6		1				
010	455074-0	SWITCH BUTTON		1				
011	650041-2	SWITCH TG772BDS-1		1				
012	687124-5	STRAIN RELIEF		1				
013	265999-8	TAPPING SCREW 4X25		2				
014	1830C3-1	SWITCH BOX SET		1				
C10	8053U7-4	INDICATION LABEL		1				
D10		INC. 8						
015	266424-2	TAPPING SCREW 4X20		4				
016	266326-2	TAPPING SCREW 4X18		1				
017	456352-1	SWITCH LEVER CASE COVER		1				
018	456351-3	SWITCH LEVER CASE		1				
019	327C35-7	LOWER PIPE		1				
020	265C08-1	FLAT HEAD BOLT M8X50		2				
021	265C06-5	THUMB NUT M8		2				
022	265B81-5	TAPPING SCREW FLANGE 3X6		4				
023	413T46-1	SUPPORT		2				
024	213877-6	O-RING 6		2				
025	327C36-5	LOCK PIN		2				
026	951119-7	SPRING PIN 4-24		2				
027	413T47-9	LEVER		2				
028	699231-2	POWER SUPPLY CORD UNI		1				
029	911163-6	PAN HEAD SCREW M4X35		1				
030	413944-9	CLAMP		1				
C10	931102-0	HEX. NUT M4		1				
031	413B03-1	LOCK LEVER		1				
032	231037-8	COMPRESSION SPRING 7		1				
033	141T10-9	BATTERY COVER COMPLETE		1				
034	8071M9-8	INDICATION LABEL		1				
035	266459-3	TAPPING SCREW 5X25		2				

036	273675-0	GRIP A		1			
037	266816-5	+ PAN HEAD SCREW M3X12 WITH WR		2			
038	413939-2	HEIGHT ADJUST LEVER GRIP		1			
039	266424-2	TAPPING SCREW 4X20		2			
040	162C76-4	HEIGHT ADJUST PLATE		1			
041	266424-2	TAPPING SCREW 4X20		1			
042	413T52-6	HOOK		1			
043	8142C5-5	LM004G NAME PLATE		1			
045	137035-9	COWLING ASS'Y		1			
046	266424-2	TAPPING SCREW 4X20		8			
047	629C42-9	DC MOTOR		1			
048	265A53-4	+ PAN HEAD SCREW M6X22 WITH WR		3			
050	620M31-7	CONTROLLER		1			
051	266424-2	TAPPING SCREW 4X20		3			
052	1830A2-9	TERMINAL HOUSING SET		1			
C10	263005-3	RUBBER PIN 6		2			
D10		INC. 56					
053	8142D1-0	LM004G SERIAL NO. LABEL		1			
054	632T08-2	TERMINAL UNIT		1			
055	652031-1	PAN HEAD SCREW M3X6		2			
056	1830A2-9	TERMINAL HOUSING SET		1			
C10	263005-3	RUBBER PIN 6		2			
D10		INC. 52					
057	413T55-0	DECK		1			
058	413T45-3	BLADE SUPPORT		1			
059	1913H4-8	BLADE 430 SET		1			
060	265A69-9	HEX. BOLT M10X35 WITH WG		1			
069	141T62-0	REAR FLAP COMPLETE		1			
C10	8054C4-0	CAUTION LABEL		1			
070	233597-6	TORSION SPRING 8		1			
071	961018-5	STOP RING E-5		1			
072	327C38-1	ROD 6		1			
073	266424-2	TAPPING SCREW 4X20		2			
074	687124-5	STRAIN RELIEF		1			
075	687051-6	STRAIN RELIEF		1			
076	266424-2	TAPPING SCREW 4X20		1			
077	413T62-3	LED HOLDER		1			
080	266424-2	TAPPING SCREW 4X20		2			
081	347870-9	HOOK PLATE		1			
082	951119-7	SPRING PIN 4-24		1			
083	327C32-3	HEIGHT ADJUST LEVER		1			
084	232815-9	TENSION SPRING 12		1			

085	232430-9	COMPRESSION SPRING 5		1				
086	413T51-8	ROD HOLDER		1				
087	252286-4	COLLARED HEX.LOCK NUT M5-8		1				
088	347B65-6	CONNECTING ROD R		1				
089	266424-2	TAPPING SCREW 4X20		4				
090	347869-4	PLATE		2				
091	256A45-4	ROD 7		1				
092	265C05-7	TAPPING SCREW FRANGE 5X20		1				
093	252286-4	COLLARED HEX.LOCK NUT M5-8		1				
094	347B64-8	CONNECTING ROD F		1				
095	413T58-4	UNDER COVER		1				
096	266424-2	TAPPING SCREW 4X20		4				
097	252145-2	COLLARED HEX NUT M8		2				
098	413U87-3	REAR WHEEL		2				
099	210070-3	BALL BEARING 6200ZZ		2				
100	162C78-0	REAR SHAFT		1				
101	347869-4	PLATE		2				
102	266424-2	TAPPING SCREW 4X20		4				
103	252145-2	COLLARED HEX NUT M8		2				
104	413U86-5	FRONT WHEEL		2				
105	210070-3	BALL BEARING 6200ZZ		2				
106	162C77-2	FRONT SHAFT		1				
107	347869-4	PLATE		2				
108	266424-2	TAPPING SCREW 4X20		4				
117	122F56-0	REAR BAG ASSEMBLY		1				
D10		118-121,125						
118	413T48-7	GRIP		1				
119	459806-7	INDICATOR M		1				
120	413T59-2	REAR BAG COVER		1				
121	266424-2	TAPPING SCREW 4X20		2				
122	267438-4	FLAT WASHER 5		2				
123	266424-2	TAPPING SCREW 4X20		2				
124	327C34-9	REAR BAG ROD		1				
125	162C79-8	REAR BAG		1				
A01	1913H8-0	MULCHING PLUG 430 SET		1				
A02	782210-8	SOCKET WRENCH 17		1				
A03B	412393-7	BATTERY COVER		1				
A04B	***DC40RA	DC40RA FAST CHARGER		1				
D10		COMPO-PARTS						
A05B	191B30-5	BATTERY BL4040 SET		1				

Please order the parts with part number.

Print Date 2023/9/14