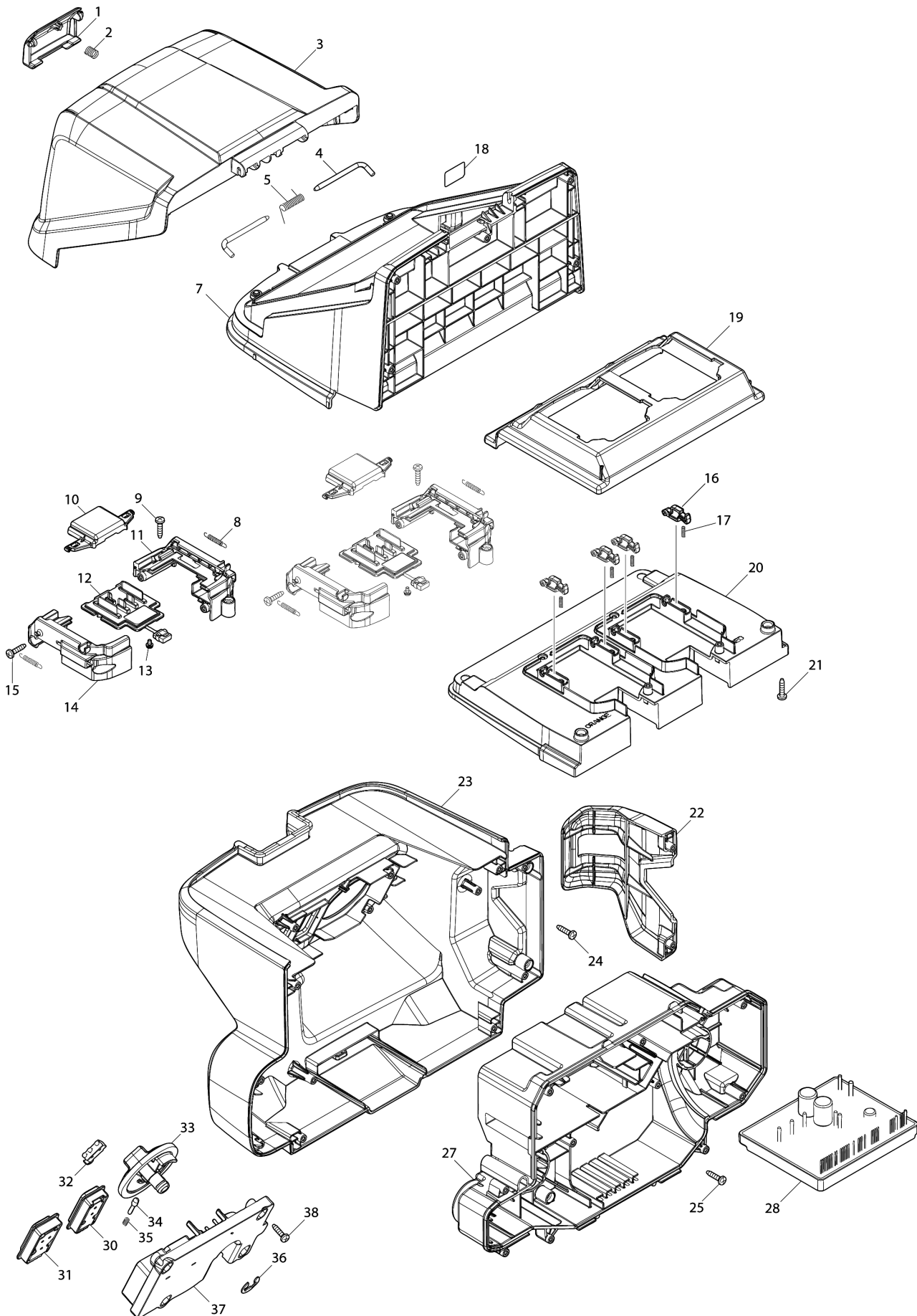
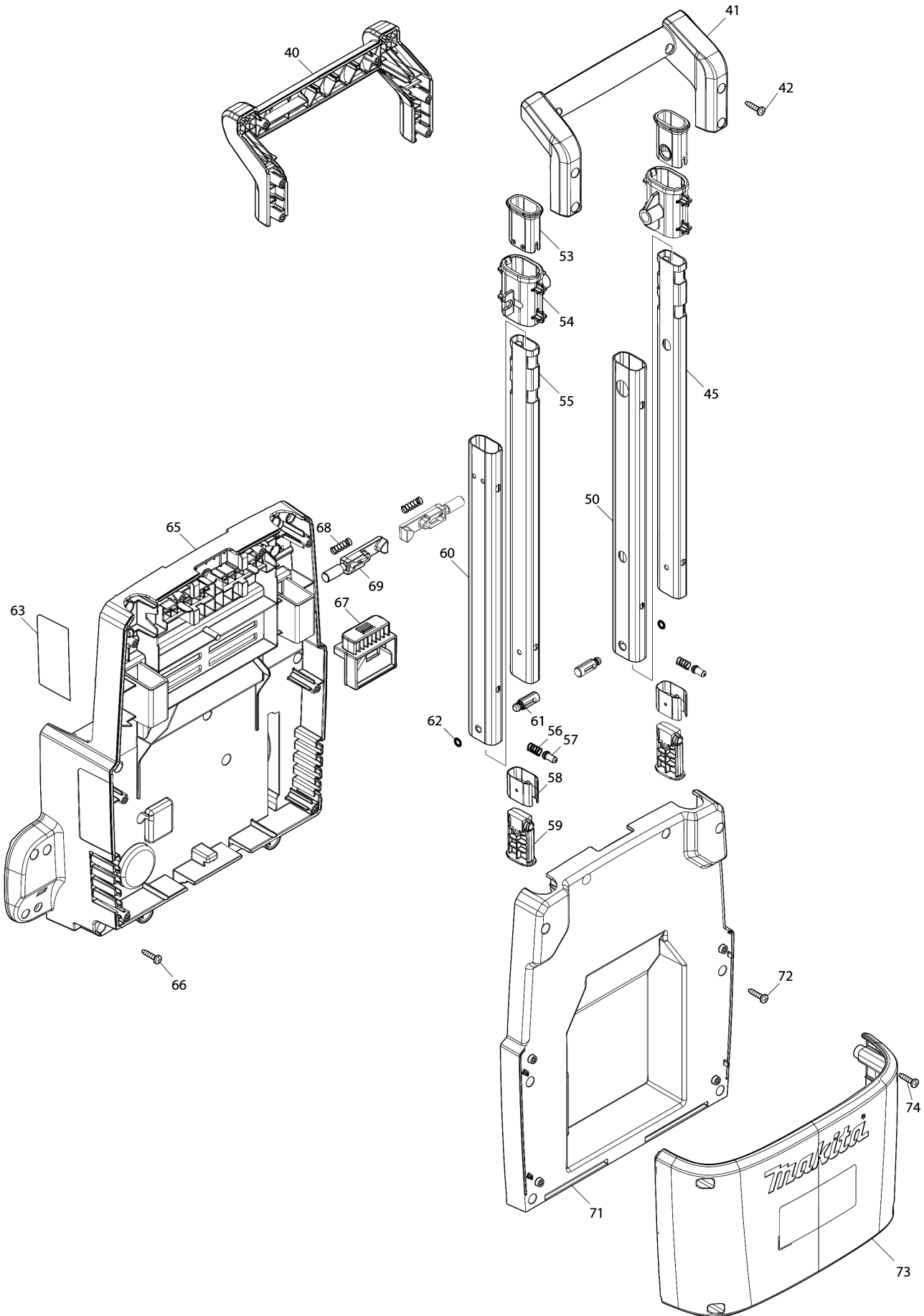


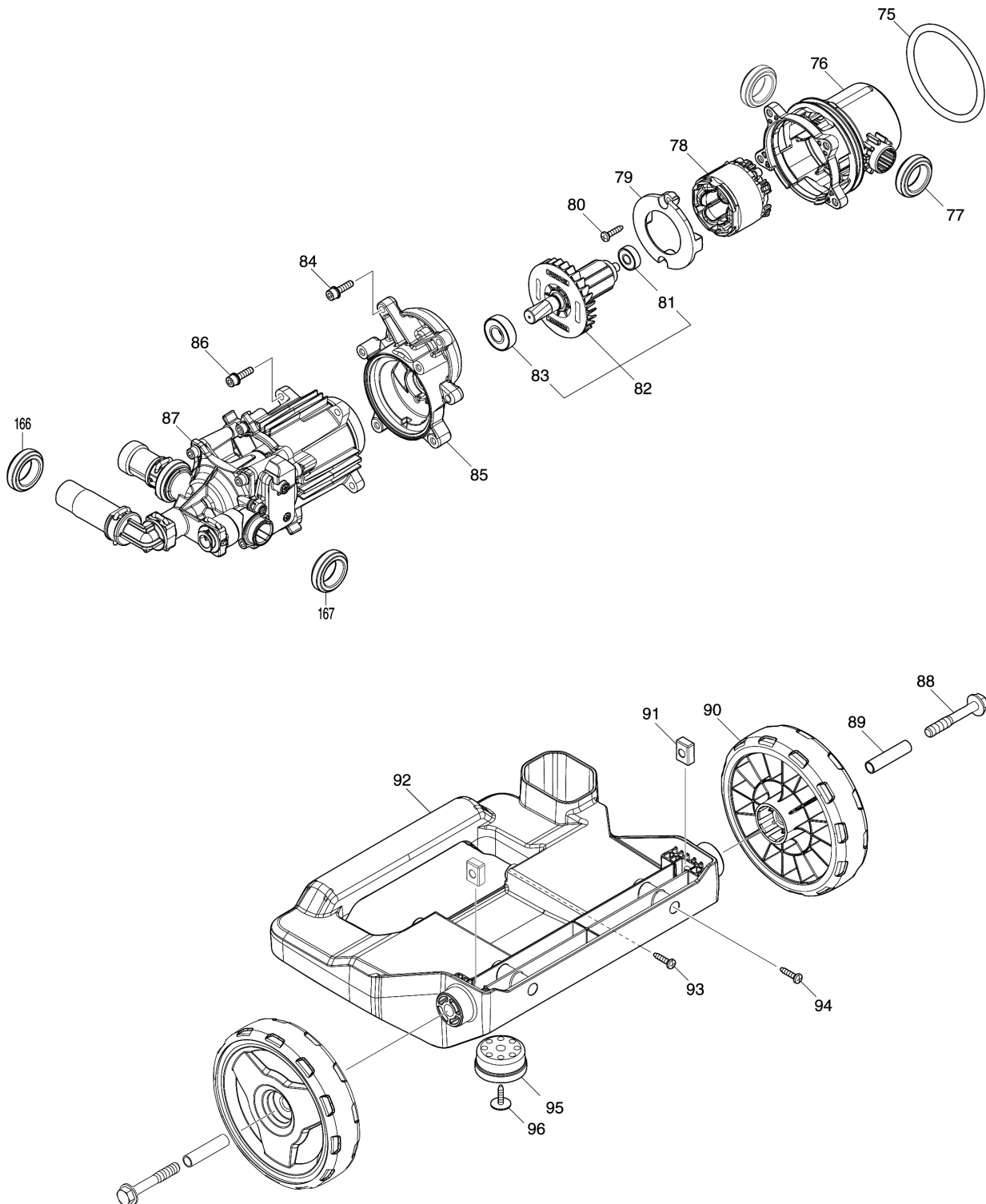
# Model No.HW001G CORDLESS HIGH PRESSURE WASHER



# Model No.HW001G CORDLESS HIGH PRESSURE WASHER

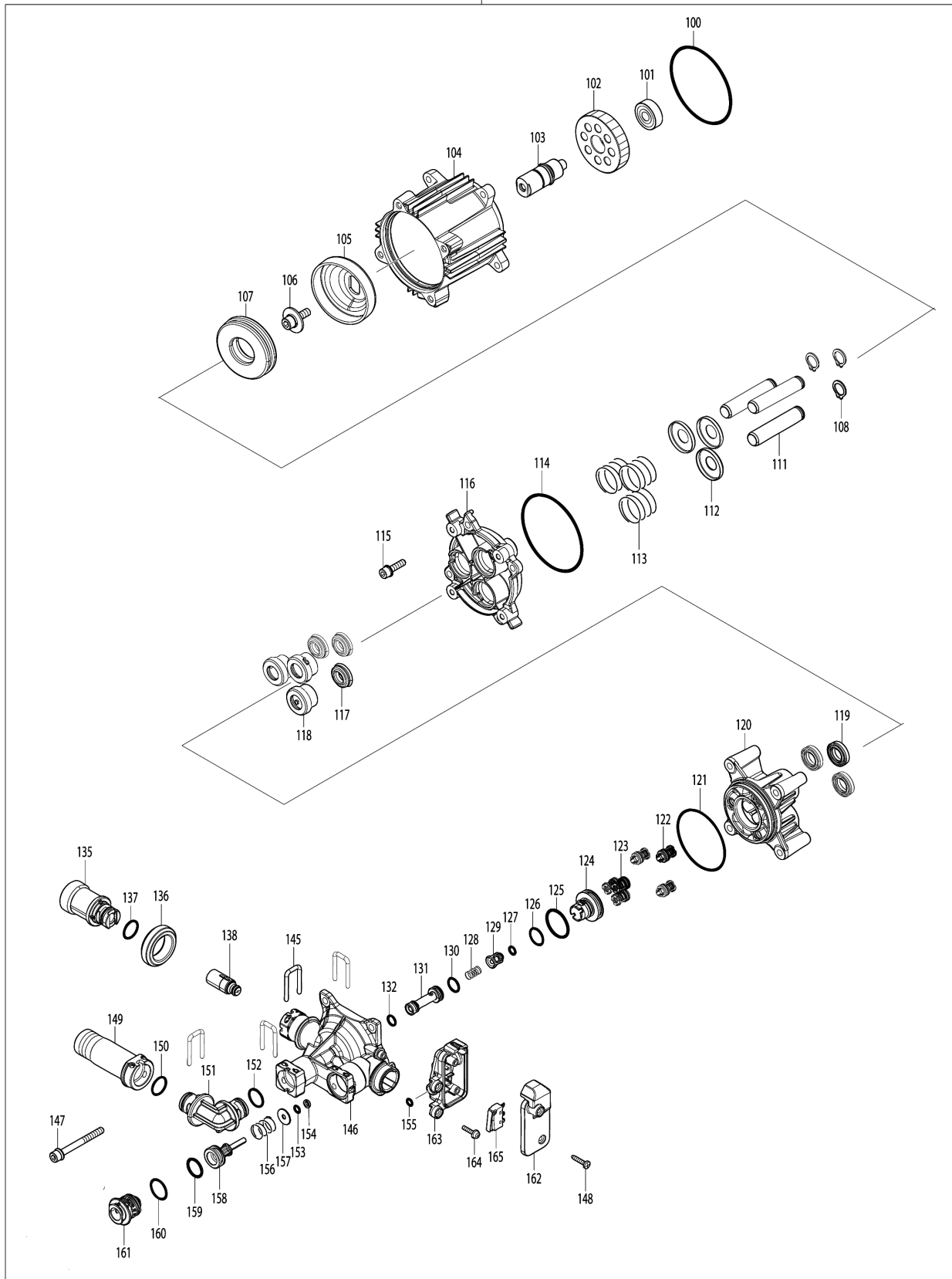


Model No.HW001G CORDLESS HIGH PRESSURE WASHER



# Model No.HW001G CORDLESS HIGH PRESSURE WASHER

87



## Model No.HW001G CORDLESS HIGH PRESSURE WASHER

| 分解圖號 | 零件編號     | 品名                          | 交換 | 數量 | New/Old | 選擇1 | 選擇2 | 註記 |
|------|----------|-----------------------------|----|----|---------|-----|-----|----|
| 001  | 413T26-7 | LOCK LEVER                  |    | 1  |         |     |     |    |
| 002  | 232821-4 | COMPRESSION SPRING 6        |    | 1  |         |     |     |    |
| 003  | 413T25-9 | BATTERY BOX COVER           |    | 1  |         |     |     |    |
| 004  | 327C24-2 | ROD 4                       |    | 2  |         |     |     |    |
| 005  | 232813-3 | TORSION SPRING 5            |    | 1  |         |     |     |    |
| 007  | 137021-0 | BATTERY BOX ASSEMBLY        |    | 1  |         |     |     |    |
| C10  | 263005-3 | RUBBER PIN 6                |    | 2  |         |     |     |    |
| 008  | 232722-6 | TENSION SPRING 4            |    | 4  |         |     |     |    |
| 009  | 266326-2 | TAPPING SCREW 4X18          |    | 4  |         |     |     |    |
| 010  | 413B40-5 | TERMINAL COVER              |    | 2  |         |     |     |    |
| 011  | 183Y95-9 | TERMINAL CASE SET           |    | 2  |         |     |     |    |
| C10  | 263005-3 | RUBBER PIN 6                |    | 4  |         |     |     |    |
| D10  |          | INC. 14                     |    |    |         |     |     |    |
| 012  | 632T08-2 | TERMINAL UNIT               |    | 2  |         |     |     |    |
| 013  | 652031-1 | PAN HEAD SCREW M3X6         |    | 4  |         |     |     |    |
| 014  | 183Y95-9 | TERMINAL CASE SET           |    | 2  |         |     |     |    |
| C10  | 263005-3 | RUBBER PIN 6                |    | 4  |         |     |     |    |
| D10  |          | INC. 11                     |    |    |         |     |     |    |
| 015  | 266326-2 | TAPPING SCREW 4X18          |    | 4  |         |     |     |    |
| 016  | 413B41-3 | LOCK LEVER                  |    | 4  |         |     |     |    |
| 017  | 232472-3 | COMPRESSION SPRING 2        |    | 4  |         |     |     |    |
| 018  | 8141C2-5 | HW001G SERIAL NO. LABEL     |    | 1  |         |     |     |    |
| 019  | 413T33-0 | TERMINAL PLATE COVER        |    | 1  |         |     |     |    |
| 020  | 413T30-6 | TERMINAL PLATE              |    | 1  |         |     |     |    |
| 021  | 266326-2 | TAPPING SCREW 4X18          |    | 4  |         |     |     |    |
| 022  | 413T29-1 | ACCESSORY HOLDER S          |    | 1  |         |     |     |    |
| 023  | 137026-0 | FRONT HOUSING ASS'Y         |    | 1  |         |     |     |    |
| C10  | 8071J7-1 | INDICATION LABEL            |    | 1  |         |     |     |    |
| C20  | 8025F3-0 | XGT LOGO LABEL              |    | 1  |         |     |     |    |
| 024  | 266326-2 | TAPPING SCREW 4X18          |    | 2  |         |     |     |    |
| 025  | 266326-2 | TAPPING SCREW 4X18          |    | 3  |         |     |     |    |
| 027  | 137019-7 | INNER HOUSING ASSEMBLY      |    | 1  |         |     |     |    |
| C10  | 263005-3 | RUBBER PIN 6                |    | 1  |         |     |     |    |
| 028  | 620M65-0 | CONTROLLER                  |    | 1  |         |     |     |    |
| 030  | 620M67-6 | SWITCH CIRCUIT COMPLETE     |    | 1  |         |     |     |    |
| C10  | 539267-8 | SWITCH PLATE ASS'Y          |    | 1  |         |     |     |    |
| C20  | 266490-9 | TAPPING SCREW PT 2X6        |    | 3  |         |     |     |    |
| 031  | 620M68-4 | INDICATION CIRCUIT COMPLETE |    | 1  |         |     |     |    |
| C10  | 136981-3 | SWITCH PLATE ASS'Y          |    | 1  |         |     |     |    |

|     |          |                             |  |    |  |  |  |
|-----|----------|-----------------------------|--|----|--|--|--|
| C20 | 266490-9 | TAPPING SCREW PT 2X6        |  | 3  |  |  |  |
| 032 | 632V07-6 | SWITCH UNIT                 |  | 1  |  |  |  |
| 033 | 413T27-5 | SWITCH DIAL 55              |  | 1  |  |  |  |
| 034 | 413U71-8 | SWITCH CAM                  |  | 1  |  |  |  |
| 035 | 232819-1 | COMPRESSION SPRING 3        |  | 1  |  |  |  |
| 036 | 961016-9 | STOP RING E-10              |  | 1  |  |  |  |
| 037 | 413T37-2 | SWITCH PANEL                |  | 1  |  |  |  |
| 038 | 266326-2 | TAPPING SCREW 4X18          |  | 4  |  |  |  |
| 040 | 1830A1-1 | GRIP SET                    |  | 1  |  |  |  |
| D10 |          | INC. 41                     |  |    |  |  |  |
| 041 | 1830A1-1 | GRIP SET                    |  | 1  |  |  |  |
| D10 |          | INC. 40                     |  |    |  |  |  |
| 042 | 266326-2 | TAPPING SCREW 4X18          |  | 6  |  |  |  |
| 045 | 327C41-2 | UPPER PIPE R                |  | 1  |  |  |  |
| 050 | 327C43-8 | LOWER PIPE R                |  | 1  |  |  |  |
| 053 | 413T20-9 | UPPER STOPPER               |  | 2  |  |  |  |
| 054 | 413T19-4 | PIPE HOLDER                 |  | 2  |  |  |  |
| 055 | 327C42-0 | UPPER PIPE L                |  | 1  |  |  |  |
| 056 | 232820-6 | COMPRESSION SPRING 6        |  | 2  |  |  |  |
| 057 | 327C81-0 | LOCK PIN 5                  |  | 2  |  |  |  |
| 058 | 413T22-5 | UPPER PIPE STOPPER          |  | 2  |  |  |  |
| 059 | 413T21-7 | LOWER STOPPER               |  | 2  |  |  |  |
| 060 | 327C44-6 | LOWER PIPE L                |  | 1  |  |  |  |
| 061 | 413T38-0 | STOPPER PIN                 |  | 2  |  |  |  |
| 062 | 213005-3 | O RING 5                    |  | 2  |  |  |  |
| 063 | 8141C0-9 | HW001G NAME PLATE           |  | 1  |  |  |  |
| 065 | 137020-2 | REAR HOUSING ASSEMBLY       |  | 1  |  |  |  |
| C10 | 263005-3 | RUBBER PIN 6                |  | 1  |  |  |  |
| 066 | 266326-2 | TAPPING SCREW 4X18          |  | 23 |  |  |  |
| 067 | 413T18-6 | LOCK BOTTON                 |  | 1  |  |  |  |
| 068 | 233068-3 | COMPRESSION SPRING 6        |  | 2  |  |  |  |
| 069 | 413T34-8 | LOCK PIN                    |  | 2  |  |  |  |
| 071 | 413T15-2 | REAR COVER                  |  | 1  |  |  |  |
| 072 | 266326-2 | TAPPING SCREW 4X18          |  | 8  |  |  |  |
| 073 | 141T09-4 | ACCESSORY HOLDER R COMPLETE |  | 1  |  |  |  |
| C10 | 809R02-9 | CAUTION LABEL               |  | 1  |  |  |  |
| 074 | 266326-2 | TAPPING SCREW 4X18          |  | 4  |  |  |  |
| 075 | 422250-1 | RECEIVE RUBBER              |  | 1  |  |  |  |
| 076 | 458326-8 | MOTOR HOUSING               |  | 1  |  |  |  |
| 077 | 422409-0 | RUBBER CUSHION              |  | 2  |  |  |  |
| 078 | 629C40-3 | STATOR                      |  | 1  |  |  |  |
| 079 | 458327-6 | BAFFLE PLATE                |  | 1  |  |  |  |
| 080 | 266326-2 | TAPPING SCREW 4X18          |  | 2  |  |  |  |

|     |          |                           |  |   |  |  |  |
|-----|----------|---------------------------|--|---|--|--|--|
| 081 | 210062-2 | BALL BEARING 607ZZ        |  | 1 |  |  |  |
| 082 | 519830-3 | ROTOR ASS'Y               |  | 1 |  |  |  |
| D10 |          | INC. 81,83                |  |   |  |  |  |
| 083 | 211131-2 | BALL BEARING 6001DDW      |  | 1 |  |  |  |
| 084 | 922233-6 | H.S.H.BOLT M5X20 WITH WR  |  | 4 |  |  |  |
| 085 | 161823-2 | GEAR HOUSING COMPLETE     |  | 1 |  |  |  |
| C10 | 263002-9 | RUBBER PIN 4              |  | 2 |  |  |  |
| 086 | 922233-6 | H.S.H.BOLT M5X20 WITH WR  |  | 4 |  |  |  |
| 087 | 122F16-2 | PUMP ASSEMBLY             |  | 1 |  |  |  |
| D10 |          | INC.100-138,145-165       |  |   |  |  |  |
| 088 | 265D26-5 | HEX. BOLT M8X55 WITH G    |  | 2 |  |  |  |
| 089 | 257A23-7 | SLEEVE 8                  |  | 2 |  |  |  |
| 090 | 413T32-2 | WHEEL 140                 |  | 2 |  |  |  |
| 091 | 327C28-4 | PLATE                     |  | 2 |  |  |  |
| 092 | 413T23-3 | BOTTOM PLATE              |  | 1 |  |  |  |
| 093 | 266326-2 | TAPPING SCREW 4X18        |  | 2 |  |  |  |
| 094 | 266326-2 | TAPPING SCREW 4X18        |  | 2 |  |  |  |
| 095 | 422A59-7 | FOOT RUBBER               |  | 3 |  |  |  |
| 096 | 252274-1 | TAPPING SCREW 4X18 WITH W |  | 3 |  |  |  |
| 100 | 213706-3 | O RING 67                 |  | 1 |  |  |  |
| 101 | 210032-1 | BALL BEARING 628DDW       |  | 1 |  |  |  |
| 102 | 221597-8 | HELICAL GEAR 47           |  | 1 |  |  |  |
| 103 | 327076-5 | SPINDLE                   |  | 1 |  |  |  |
| 104 | 161821-6 | PUMP HOUSING COMPLETE     |  | 1 |  |  |  |
| 105 | 347B66-4 | WOBBLE PLATE 8.5          |  | 1 |  |  |  |
| 106 | 265D25-7 | H.S.H.BOLT M6X20 WITH W   |  | 1 |  |  |  |
| 107 | 210275-5 | THRUST BALL BEARING 2454  |  | 1 |  |  |  |
| 108 | 961052-5 | RETAINING RING (EXT) S-12 |  | 3 |  |  |  |
| 111 | 327075-7 | PISTON PIN 12             |  | 3 |  |  |  |
| 112 | 347340-8 | SPRING RETAINER C         |  | 3 |  |  |  |
| 113 | 232434-1 | COMPRESSION SPRING 22     |  | 3 |  |  |  |
| 114 | 213706-3 | O RING 67                 |  | 1 |  |  |  |
| 115 | 922233-6 | H.S.H.BOLT M5X20 WITH WR  |  | 4 |  |  |  |
| 116 | 319670-7 | PISTON SYLINDER           |  | 1 |  |  |  |
| 117 | 213861-1 | OIL SEAL 12               |  | 3 |  |  |  |
| 118 | 413T06-3 | SEAL HOLDER 12            |  | 3 |  |  |  |
| 119 | 422A58-9 | PACKING 12                |  | 3 |  |  |  |
| 120 | 312E45-9 | PISTON HOUSING            |  | 1 |  |  |  |
| 121 | 213656-2 | O RING 53                 |  | 1 |  |  |  |
| 122 | 141S01-4 | VALVE COMPLETE B          |  | 3 |  |  |  |

|     |          |                               |  |   |  |  |  |
|-----|----------|-------------------------------|--|---|--|--|--|
| 123 | 141S00-6 | VALVE COMPLETE A              |  | 3 |  |  |  |
| 124 | 413T11-0 | VALVE HOLDER                  |  | 1 |  |  |  |
| 125 | 213A49-9 | O-RING 22                     |  | 1 |  |  |  |
| 126 | 213238-0 | O-RING 13                     |  | 1 |  |  |  |
| 127 | 213005-3 | O RING 5                      |  | 1 |  |  |  |
| 128 | 232433-3 | COMPRESSION SPRING 6          |  | 1 |  |  |  |
| 129 | 458322-6 | SPRING RETAINER A             |  | 1 |  |  |  |
| 130 | 213055-8 | O RING 10                     |  | 1 |  |  |  |
| 131 | 413T10-2 | ADJUST HOLDER                 |  | 1 |  |  |  |
| 132 | 213011-8 | O RING 7                      |  | 1 |  |  |  |
| 135 | 413T05-5 | INFLOW JOINT                  |  | 1 |  |  |  |
| 136 | 422409-0 | RUBBER CUSHION                |  | 1 |  |  |  |
| 137 | 213176-6 | O RING 14                     |  | 1 |  |  |  |
| 138 | 137025-2 | RELIEF VALVE ASS'Y            |  | 1 |  |  |  |
| C10 | 213005-3 | O RING 5                      |  | 1 |  |  |  |
| 145 | 327C22-6 | U TYPE PIN 3                  |  | 4 |  |  |  |
| 146 | 312E46-7 | PUMP HEAD                     |  | 1 |  |  |  |
| 147 | 265A33-0 | H.S.H.BOLT M5X50 WITH<br>WR   |  | 4 |  |  |  |
| 148 | 266130-9 | TAPPING SCREW BIND PT<br>3X16 |  | 2 |  |  |  |
| 149 | 327C25-0 | OUTFLOW JOINT                 |  | 1 |  |  |  |
| 150 | 213176-6 | O RING 14                     |  | 1 |  |  |  |
| 151 | 413T12-8 | JOINT                         |  | 1 |  |  |  |
| 152 | 213176-6 | O RING 14                     |  | 1 |  |  |  |
| 153 | 213A64-3 | O-RING 4                      |  | 1 |  |  |  |
| 154 | 413T07-1 | POLYACETAL WASHER 4B          |  | 1 |  |  |  |
| 155 | 213A64-3 | O-RING 4                      |  | 1 |  |  |  |
| 156 | 232429-4 | COMPRESSION SPRING 11         |  | 1 |  |  |  |
| 157 | 413T08-9 | POLYACETAL WASHER 4A          |  | 1 |  |  |  |
| 158 | 413T04-7 | PRESSURE PIN                  |  | 1 |  |  |  |
| 159 | 213922-7 | O-RING 14                     |  | 1 |  |  |  |
| 160 | 213223-3 | O RING 16                     |  | 1 |  |  |  |
| 161 | 458310-3 | PUMP HEAD CAP                 |  | 1 |  |  |  |
| 162 | 183Y99-1 | SWITCH BOX SET                |  | 1 |  |  |  |
| D10 |          | INC. 163                      |  |   |  |  |  |
| 163 | 183Y99-1 | SWITCH BOX SET                |  | 1 |  |  |  |
| D10 |          | INC. 162                      |  |   |  |  |  |
| 164 | 911028-2 | PAN HEAD SCREW M3X16          |  | 2 |  |  |  |
| 165 | 632V08-4 | SWITCH UNIT                   |  | 1 |  |  |  |
| 166 | 422409-0 | RUBBER CUSHION                |  | 1 |  |  |  |
| 167 | 422409-0 | RUBBER CUSHION                |  | 1 |  |  |  |
| A01 | 1910R1-6 | HOSE ASSEMBLY SET             |  | 1 |  |  |  |
| A02 | 1910R2-4 | STRAINER ASSEMBLY SET         |  | 1 |  |  |  |
| A03 | 197842-2 | TRIGGER GUN SET               |  | 1 |  |  |  |



|     |          |                              |  |   |  |  |  |  |
|-----|----------|------------------------------|--|---|--|--|--|--|
| A04 | 197824-4 | CYCLONE JET NOZZLE SET       |  | 1 |  |  |  |  |
| A05 | 126766-5 | HIGH PRESSURE HOSE 5M        |  | 1 |  |  |  |  |
| A06 | 191U84-6 | EXTENSION SET                |  | 1 |  |  |  |  |
| A07 | 1912Y4-1 | VARIOSPRAY NOZZLE SET        |  | 1 |  |  |  |  |
| A08 | 122F22-7 | ABSORPTION CONNECTOR<br>G3/4 |  | 1 |  |  |  |  |
| A09 | 197879-9 | CLEANER PIN SET              |  | 1 |  |  |  |  |

Please order the parts with part number.

Print Date 2023/9/1