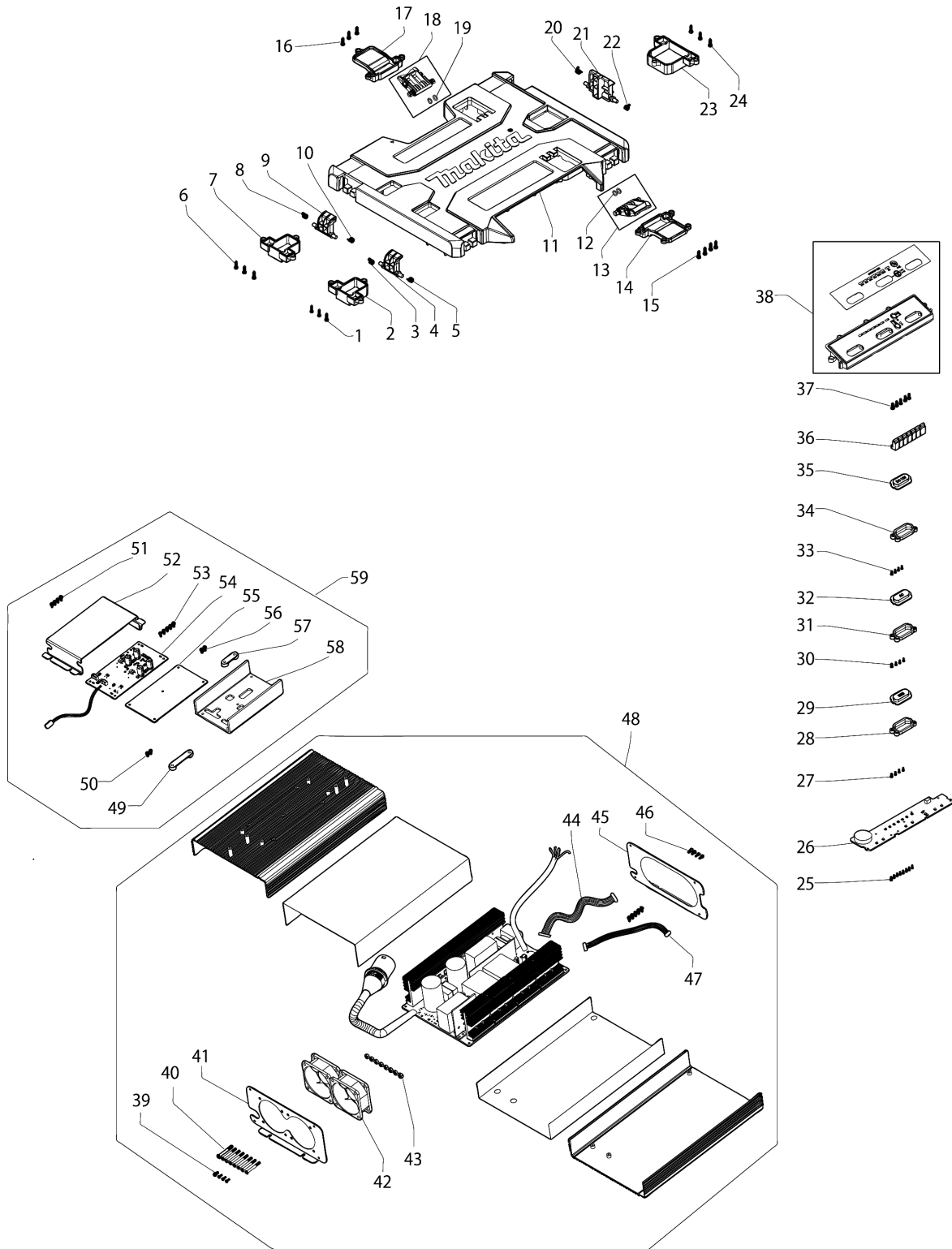
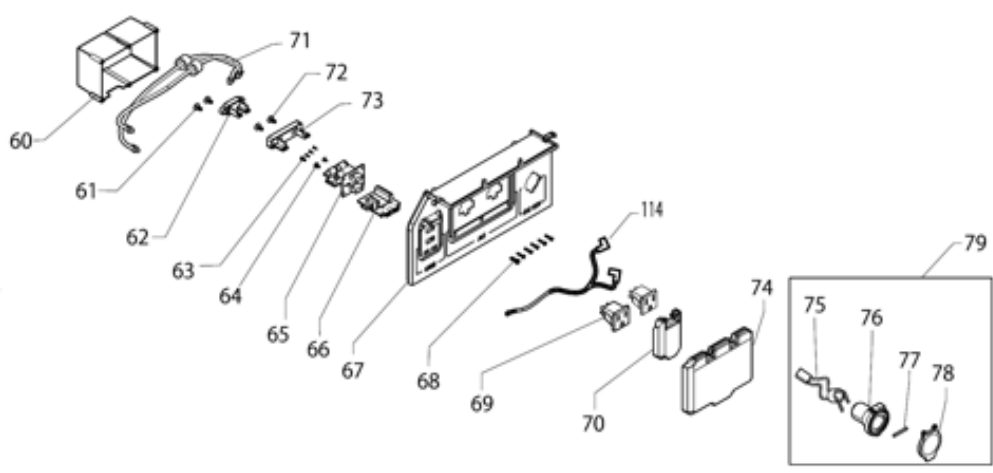
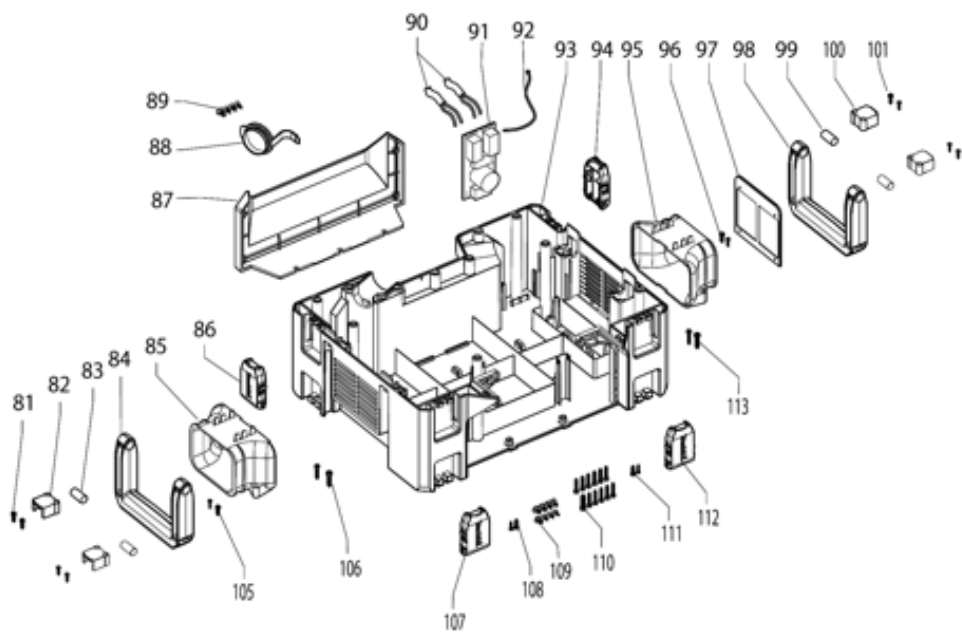


Model No.BAC01 POWER CONVERTER



Model No.BAC01 POWER CONVERTER



Model No.BAC01 POWER CONVERTER

分解圖號	零件編號	品名	交換	數量	New/Old	選擇1	選擇2	註記
001	QY00000011	TAPPING SCREW 3X12		3				
002	QY00000158	HOOK B COVER		1				
003	QY00000159	TORSION SPRING A		1				
004	QY00000160	HOOK B		1				
005	QY00000161	TORSION SPRING B		1				
006	QY00000011	TAPPING SCREW 3X12		3				
007	QY00000158	HOOK B COVER		1				
008	QY00000159	TORSION SPRING A		1				
009	QY00000162	HOOK C		1				
010	QY00000161	TORSION SPRING B		1				
011	QY00000163	TOP HOUSING		1				
012	QY00000164	O-RING		2				
013	QY00000165	LATCH B		1				
D10		INC. 12						
014	QY00000166	LATCH B COVER		1				
015	QY00000011	TAPPING SCREW 3X12		4				
016	QY00000011	TAPPING SCREW 3X12		3				
017	QY00000167	LATCH A COVER		1				
018	QY00000165	LATCH B		1				
D10		INC. 19						
019	QY00000164	O-RING		2				
020	QY00000159	TORSION SPRING A		1				
021	QY00000168	HOOK A		1				
022	QY00000161	TORSION SPRING B		1				
023	QY00000169	HOOK A COVER		1				
024	QY00000011	TAPPING SCREW 3X12		3				
025	QY00000170	TAPPING SCREW 2.0X6		8				
026	QY00000171	CONTROL PCB		1				
027	QY00000170	TAPPING SCREW 2.0X6		4				
028	QY00000172	KEY FRAME		1				
029	QY00000173	USB BUTTON		1				
030	QY00000170	TAPPING SCREW 2.0X6		4				
031	QY00000172	KEY FRAME		1				
032	QY00000174	AC BUTTON		1				
033	QY00000170	TAPPING SCREW 2.0X6		4				
034	QY00000172	KEY FRAME		1				
035	QY00000175	DC BUTTON		1				
036	QY00000176	LENS		1				
037	QY00000177	TAPPING SCREW 3.0X8		5				
038	QY00000178	PANEL ASSY		1				
039	QY00000011	TAPPING SCREW 3X12		4				

040	QY00000179	SCREW 4.0X29.5	8			
041	QY00000180	FAN PLATE	1			
042	QY00000181	FAN	2			
043	QY00000182	HEX. NUT M4	8			
044	QY00000183	LEAD UNIT A	1			
045	QY00000184	PLATE B	1			
046	QY00000011	TAPPING SCREW 3X12	4			
047	QY00000185	LEAD UNIT B	1			
048	QY00000253	MAIN PCB ASSY	1			
D10		INC. 39-47				
049	QY00000187	LEAD HOLDER A	1			
050	QY00000188	SCREW M3X6	2			
051	QY00000188	SCREW M3X6	4			
052	QY00000189	SHIELD	1			
053	QY00000190	SCREW M3X8	5			
054	QY00000191	DC DC CONVERTER PCB	1			
055	QY00000192	HEAT DISSIPATION SHEET	1			
056	QY00000188	SCREW M3X6	2			
057	QY00000193	LEAD HOLDER B	1			
058	QY00000194	HEAT SINK DC	1			
059	QY00000195	DC PCB ASSY	1			
D10		INC. 49-58				
060	QY00000196	AC PLUG BRACKET	1			
061	QY00000026	TAPPING SCREW 3X8	2			
062	QY00000197	USB HOLDER PLATE	1			
063	QY00000170	TAPPING SCREW 2.0X6	4			
064	QY00000198	TAPPING SCREW FLANGE 2X5	2			
065	QY00000199	USB PCB	1			
066	QY00000200	USB TYPE-C PCB	1			
067	QY00000201	PANEL OUTPUT	1			
068	QY00000036	TAPPING SCREW 3X12	6			
069	QY00000054	AC OUTPUT SOCKET A	2			
070	QY00000210	USB COVER	1			
071	QY00000211	LEAD UNIT D	2			
072	QY00000026	TAPPING SCREW 3X8	2			
073	QY00000212	AC SOCKET HOLDER PLATE	1			
074	QY00000213	AC PLUG COVER	1			
075	QY00000214	LEAD UNIT E	1			
076	QY00000215	CIGAR LIGHTER SOCKET	1			
077	QY00000216	PIN	1			
078	QY00000217	CIGAR LIGHTER SOCKET COVER	1			
079	QY00000218	CIGAR LIGHTER SOCKET ASSY	1			

D10		INC. 75-78					
081	QY00000219	TAPPING SCREW 3X30		4			
082	QY00000220	HANDLE PIN COVER		2			
083	QY00000221	HANDLE PIN		2			
084	QY00000222	HANDLE		1			
085	QY00000223	DUCT		1			
086	QY00000224	LATCH A		1			
087	QY00000225	CONTAINER BOX COVER		1			
088	QY00000226	PLUG COVER		1			
089	QY00000227	COUNTERSUNK TAPPING SCREW 4X12		4			
090	QY00000228	LEAD UNIT F		1			
091	QY00000234	FILTER PCB ASSY (L)		1			
092	QY00000235	EARTH WIRE		1			
093	QY00000236	BOTTOM HOUSING		1			
094	QY00000224	LATCH A		1			
095	QY00000223	DUCT		1			
096	QY00000011	TAPPING SCREW 3X12		2			
097	QY00000237	FILTER		1			
098	QY00000222	HANDLE		1			
099	QY00000221	HANDLE PIN		2			
100	QY00000220	HANDLE PIN COVER		2			
101	QY00000219	TAPPING SCREW 3X30		4			
105	QY00000011	TAPPING SCREW 3X12		2			
106	QY00000001	TAPPING SCREW 4X20		2			
107	QY00000224	LATCH A		1			
108	QY00000011	TAPPING SCREW 3X12		2			
109	QY00000026	TAPPING SCREW 3X8		8			
110	QY00000001	TAPPING SCREW 4X20		12			
111	QY00000011	TAPPING SCREW 3X12		2			
112	QY00000224	LATCH A		1			
113	QY00000001	TAPPING SCREW 4X20		2			
A01	QY00000260	NAMEPLATE		1			

Please order the parts with part number.

Print Date 2023/9/7