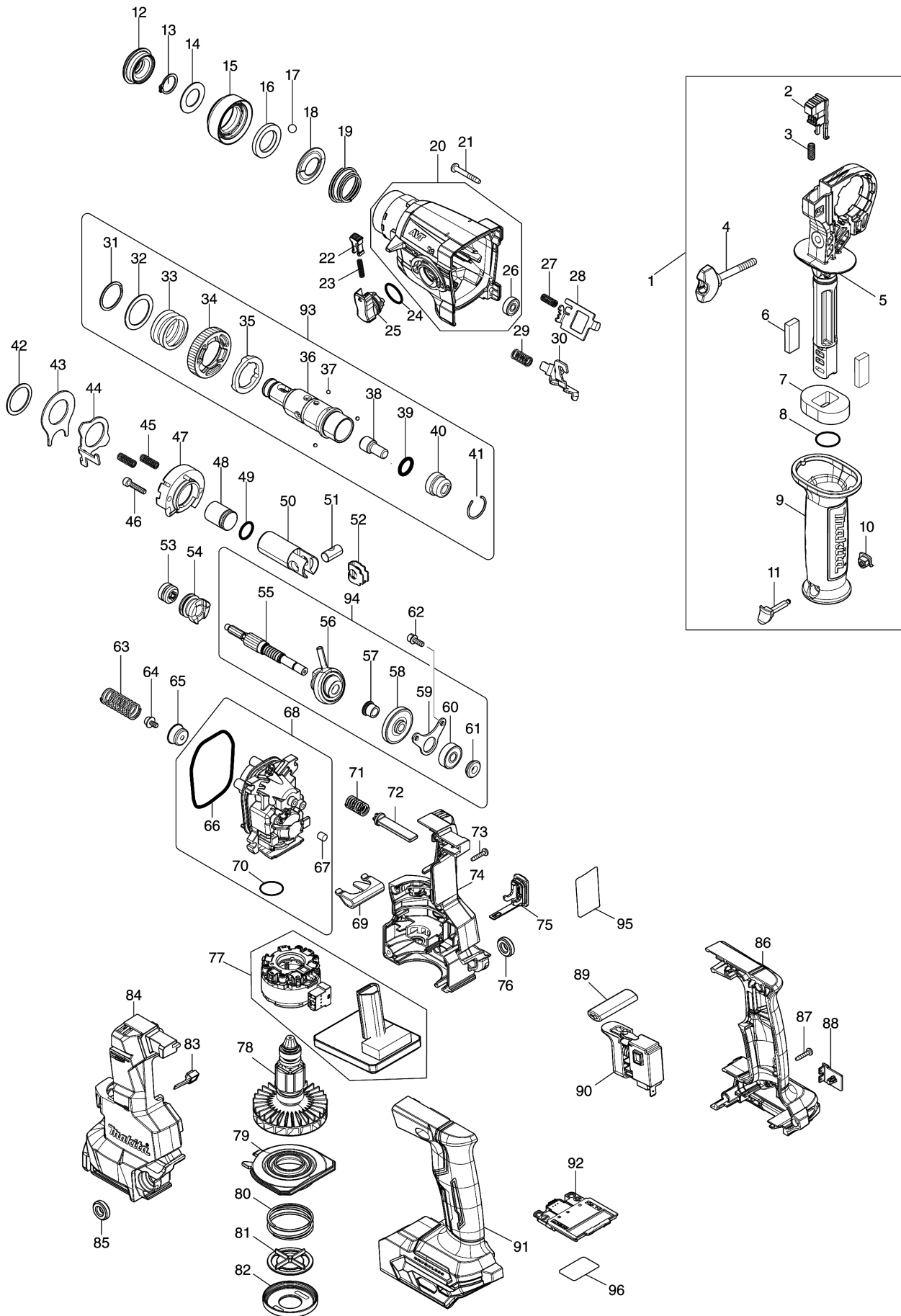


# Model No.HR010G 20MM CRDLS COMBINATION HAMMER



## Model No.HR010G 20MM CRDLS COMBINATION HAMMER

分解圖號	零件編號	品名	交換	數量	New/Old	選擇1	選擇2	註記
001	122D63-1	GRIP ASSEMBLY		1				
D10		INC. 2-11						
002	413N19-8	LOCK BUTTON		1				
003	233360-7	壓縮彈簧 4		1				
004	265625-9	手轉螺絲 M6X50		1				
005	413N18-0	SIDE HANDLE BASE		1				
006	422A20-4	SPONGE SHEET B		2				
007	422A19-9	SPONGE SHEET A		1				
008	213262-3	O-形環 18		1				
009	413N20-3	GRIP 36		1				
010	422255-1	護蓋		1				
011	162C55-2	FIX PIN		1				
012	286037-3	護蓋 34		1				
013	961057-5	扣環(EXT) S-17		1				
014	253377-4	平墊圈 17		1				
015	458845-4	夾頭護蓋		1				
016	257416-2	擋圈 21		1				
017	216022-2	鋼珠 7.0		2				
018	346177-0	導引墊圈		1				
019	232347-6	錐形壓縮彈簧 21-29		1				
020	136975-8	GEAR HOUSING ASS'Y		1				
D10		INC. 26						
021	266050-7	扁圓頭自攻螺絲 4X30		4				
022	458851-9	鎖定按鈕		1				
023	234264-6	壓縮彈簧 3		1				
024	213278-8	O-形環 17		1				
025	162C16-2	CHANGE LEVER COMPLETE		1				
026	210035-5	滾珠軸承 625DDW		1				
027	232805-2	COMPRESSION SPRING 4		1				
028	347A82-0	LOCK PLATE		1				
029	232795-9	COMPRESSION SPRING 8		1				
030	347A83-8	CHANGE PLATE B		1				
031	347555-7	螺旋固定環 25		1				
032	267304-5	平墊圈 25		1				
033	232360-4	壓縮彈簧 25		1				
034	226854-9	正齒輪 44		1				
035	327B07-6	DRIVING FLANGE		1				
036	326886-7	工具固定座		1				
037	216019-1	鋼珠 3		3				
038	326887-5	衝擊螺柱		1				

039	213117-2	O-形環 11		1			
040	327C61-6	CUP SLEEVE 9		1			
041	233942-5	環形彈簧 22		1			
042	267175-0	平墊圈 24		1			
043	345681-6	連結板		1			
044	347A81-2	CHANGE PLATE A		1			
045	232794-1	COMPRESSION SPRING 6		2			
046	922137-2	內六角頭螺栓 M4X20		2			
047	141M98-7	INNER SUPPORT COMPLETE		1			
048	327215-7	鏈		1			
049	213832-8	O-形環 13		1			
050	327B06-8	PISTON CYLINDER		1			
051	324612-8	活塞接頭		1			
052	347A84-6	GUIDE PLATE		1			
053	227A97-2	SPUR GEAR 12		1			
054	327B05-0	CLUTCH CAM		1			
055	327B04-2	CAM SHAFT		1			
056	219032-8	SWASH BEARING 9		1			
057	257893-8	SLEEVE 7		1			
058	227A27-3	SPIRAL BEVEL GEAR 25		1			
059	347A79-9	BEARING RETAINER B		1			
060	210025-8	滾珠軸承 627LLB		1			
061	257897-0	RING 7		1			
062	266273-7	內六角頭螺栓 M4X12		2			
063	232793-3	COMPRESSION SPRING 12		1			
064	266831-9	內六角頭螺栓 M4X8		1			
065	347A80-4	SPRING GUIDE		1			
066	213833-6	O-形環 60		1			
067	443138-2	濾網		1			
068	136976-6	INNER HOUSING ASS'Y		1			
D10		INC. 66,67,70					
069	347A85-4	BEARING RETAINER		1			
070	213325-5	O-形環 19		1			
071	232797-5	COMPRESSION SPRING 8		1			
072	413N16-4	PUSHER		1			
073	266130-9	扁圓頭自攻螺絲 3X16		5			
074	183Y25-0	HOUSING SET		1			
D10		INC. 84					
075	140G30-2	護蓋套組		1			
076	422A09-2	CUSHION RING 8		1			
077	629B82-1	STATOR COMPLETE		1			
078	619782-9	ROTOR		1			
C10	213134-2	O-形環 11		1			

079	413N13-0	AIR DUCT		1			
080	232796-7	COMPRESSION SPRING 37		1			
081	413N14-8	VALVE		1			
082	413N15-6	CAP		1			
083	620K85-2	LED CIRCUIT		1			
084	183Y25-0	HOUSING SET		1			
D10		INC. 74					
085	422A09-2	CUSHION RING 8		1			
086	183Y92-5	HANDLE SET		1			
C10	263005-3	橡膠銷 6		2			
C20	8007R2-2	XGT 標誌標籤		1			
D10		INC. 91					
087	266130-9	扁圓頭自攻螺絲 3X16		6			
088	422A08-4	CAP		1			
089	454980-6	F/R變換控制桿		1			
090	651439-6	開關 C3JR-4B-2		1			
091	183Y92-5	HANDLE SET		1			
C10	263005-3	橡膠銷 6		2			
C20	8007R2-2	XGT 標誌標籤		1			
D10		INC. 86					
092	632P65-6	端子單元		1			
093	136977-4	TOOL HOLDER ASS'Y		1			
D10		INC. 31-41					
094	136978-2	CAM SHAFT ASS'Y		1			
D10		INC. 55-61					
095	8589B0-0	HR010G NAME PLATE		1			
096	8589F2-4	HR010G SERIAL NO. LABEL		1			
A01	413N42-3	DEPTH GAUGE		1			
A02B	821552-6	連接器塑料盒 (類型4)		1			
C10	453974-8	門鎖		4			
A03B	8356R1-9	INNER TRAY		1			
A04B	191B40-2	電池 BL4025 組		2			
A05B	412393-7	電池蓋		1			
A06B	***DC40RA	DC40RA FAST CHARGER		1			
D10		COMPO-PARTS					
A07B	***DX16	DX16DUST COLLECTION SYSTEM SET		1			
C10	422992-7	SEALING CAP		5			
D10		COMPO-PARTS					
F03	1911K0-5	TOOL HANGER SET		1			
F05	1911P5-0	DUST CASE SET		1			
F06	1911P8-4	DUSTCUP SET		1			

Please order the parts with part number.

Print Date 2023/5/11