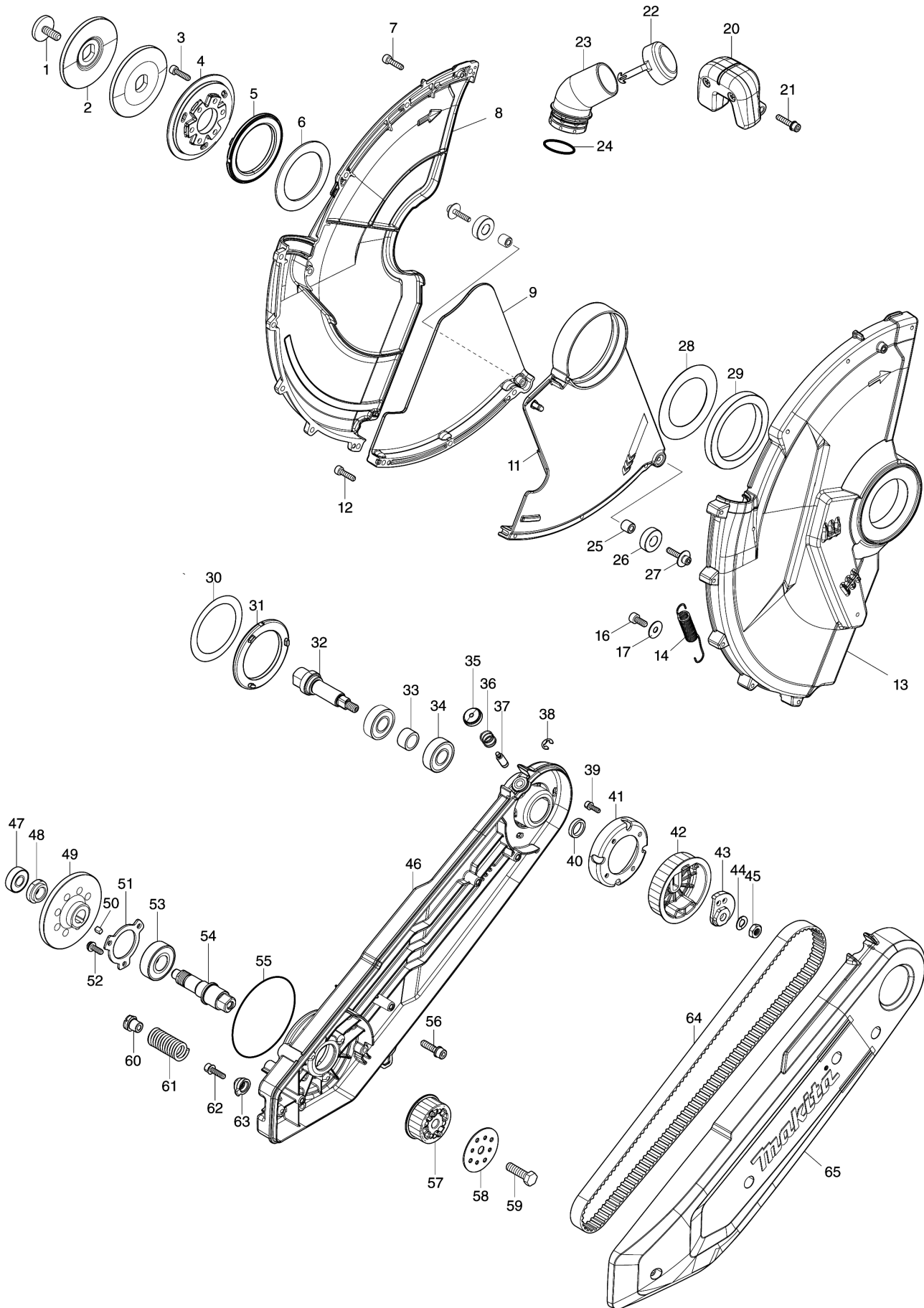
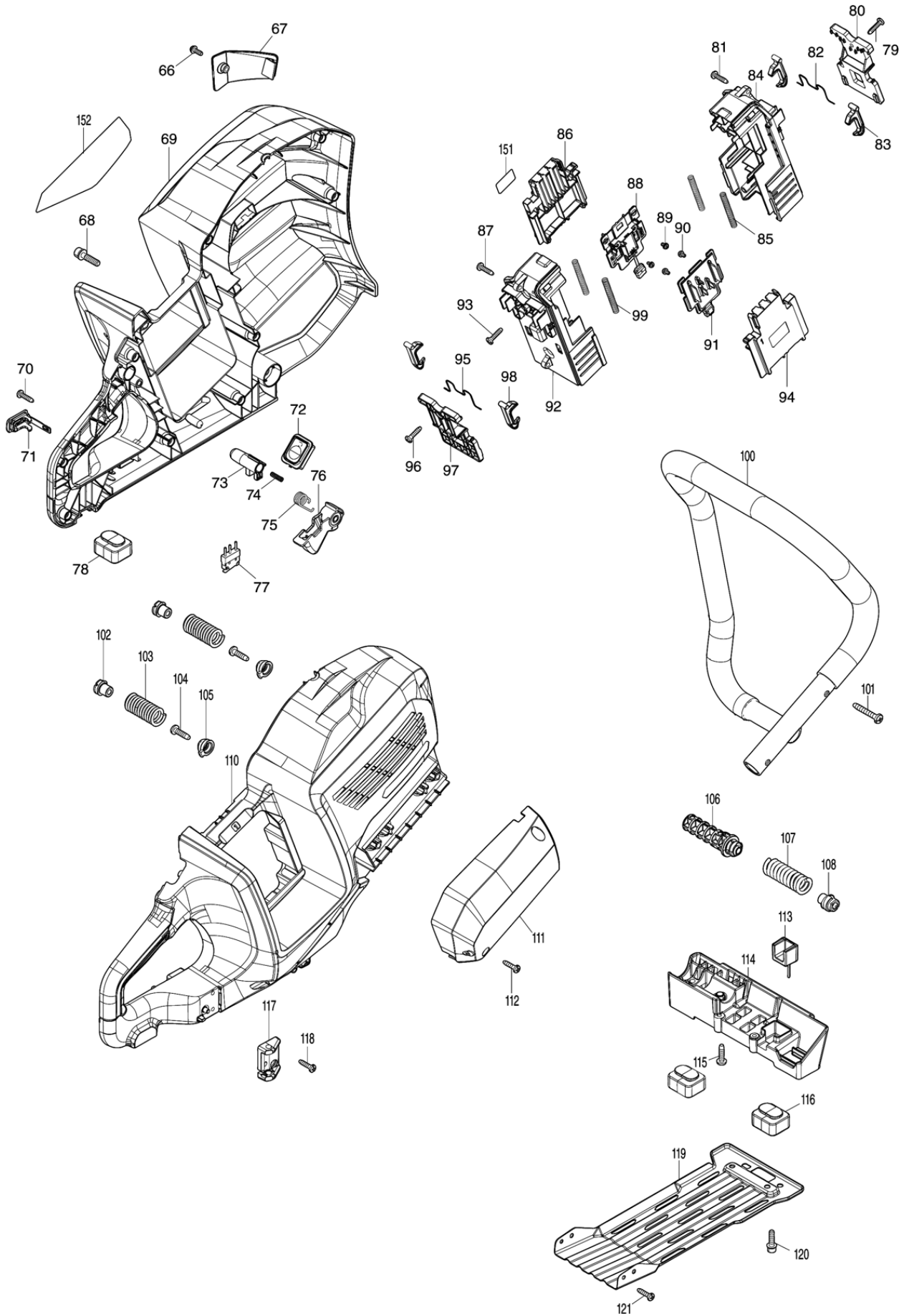


Model No.CE002G 355MM CORDLESS POWER CUTTER



Model No.CE002G 355MM CORDLESS POWER CUTTER



Model No.CE002G 355MM CORDLESS POWER CUTTER

分解圖號	零件編號	品名	交換	數量	New/Old	選擇1	選擇2	註記
001	266976-3	六角頭螺栓 M8X25		1				
002	224632-1	FLANGE 80		2				
003	922232-8	內六角頭螺栓 M5X20		6				
004	312D66-5	BRACKET		1				
005	422822-2	RUBBER RING 56		1				
006	253574-2	FLAT WASHER 56		1				
007	922232-8	內六角頭螺栓 M5X20		9				
008	137006-6	WHEEL COVER L ASS'Y		1				
C10	263002-9	橡膠銷 4		1				
C20	8064C1-9	CAUTION LABEL		1				
009	312D70-4	LOWER GUARD L		1				
011	141N02-2	LOWER GUARD R COMPLETE		1				
012	922232-8	內六角頭螺栓 M5X20		3				
013	137005-8	WHEEL COVER R ASS'Y		1				
C10	263002-9	橡膠銷 4		1				
014	232798-3	TENSION SPRING 11		1				
016	922212-4	內六角頭螺栓 M5X12		1				
017	253424-1	平墊圈 6		1				
020	136853-2	WHEEL COVER GRIP ASSEMBLY		1				
C10	266326-2	扁圓頭自攻螺絲 4X18		2				
021	922243-3	內六角頭螺栓 M5X25 WR		2				
022	421362-7	護蓋		1				
023	416741-2	彎管		1				
024	213888-1	O-形環 30		1				
025	257896-2	SLEEVE 5.4		2				
026	327B11-5	ROLLER 25		2				
027	265A89-3	內六角頭螺栓 M5X25 WR		2				
028	413P09-3	BEARING COVER		1				
029	257A13-0	RING 65		1				
030	424792-1	滑動盤		1				
031	422822-2	RUBBER RING 56		1				
032	327B10-7	SPINDLE		1				
033	257895-4	SLEEVE 15		1				
034	211238-4	滾珠軸承 6202LLU		2				
035	451485-7	插銷蓋		1				
036	233089-5	壓縮彈簧 12		1				
037	256947-8	SHOULDER PIN 7		1				
038	961012-7	止動環 (外) E-6		1				
039	922123-3	內六角頭螺栓 M4X14 WR		2				
040	257868-7	RING 15		1				

041	347915-3	PULLY BOTTOM PLATE	1				
042	222201-2	PULLEY 17-70.5	1				
043	313415-5	ECCENTRIC DISK	1				
044	267822-3	彈簧墊圈 8	1				
045	264053-5	六角螺母 M8X1	1				
046	312D67-3	CUTTING DEVICE	1				
047	211062-5	滾珠軸承 6000ZZ	1				
048	252429-8	圓螺母 M15-23	1				
049	227922-1	SPIRAL BEVEL GEAR 53	1				
050	254201-4	鍵 4	1				
051	285049-3	BEARING RETAINER 33-59	1				
052	265074-0	平頭螺絲 M5X16	3				
053	211278-2	滾珠軸承 6203DDW	1				
054	327B09-2	GEAR SHAFT	1				
055	213806-9	O-形環 90	1				
056	922343-9	內六角頭螺絲 M6X25 WR	1				
057	222203-8	PULLEY 17-45.0	1				
058	347A86-2	PULLEY PLATE 50	1				
059	265D39-6	HEX.BOLT M8X30	1				
060	312C34-2	SPRING HOLDER B	1				
061	232729-2	COMPRESSION SPRING 13	1				
062	922233-6	內六角頭螺絲 M5X20 WR	1				
063	312C33-4	SPRING HOLDER A	1				
064	225107-3	SYNCHRO BELT 15-880	1				
065	141N00-6	BELT COVER COMPLETE	1				
C10	265B09-3	內六角頭螺絲 M5X30 WR	4				
066	911118-1	平頭螺絲 M4X12 WR	1				
067	413C66-3	LENS	1				
068	922343-9	內六角頭螺絲 M6X25 WR	1				
069	183Y26-8	HANDLE SET	1				
C10	8040V4-6	XGT 標誌標籤	1				
D10		INC. 110					
070	266326-2	扁圓頭自攻螺絲 4X18	9				
071	140F99-0	護蓋套組	1				
C10	213A05-9	O-形環 16	1				
072	141G39-7	SWITCH CIRCUIT COMPLETE	1				
073	413C73-6	LOCK OFF BUTTON	1				
074	232444-8	壓縮彈簧 4	1				
075	232732-3	TORSION SPRING 10	1				
076	413C72-8	SWITCH LEVER	1				
077	632T61-8	SWITCH UNIT	1				
078	422823-0	REAR FOOT	1				
079	266326-2	扁圓頭自攻螺絲 4X18	1				

080	413C77-8	LOCK COVER		1			
081	266326-2	扁圓頭自攻螺絲 4X18		2			
082	232731-5	LEVER SPRING		1			
083	413C76-0	BATTERY ADAPTER LOCK		2			
084	183U87-4	TERMINAL BOX SET		1			
C10	263005-3	橡膠銷 6		4			
D10		INC. 92					
085	232730-7	COMPRESSION SPRING 5		2			
086	413C74-4	BATTERY ADAPTER L		1			
087	266326-2	扁圓頭自攻螺絲 4X18		2			
088	632T08-2	端子單元		1			
089	652031-1	平頭螺絲 M3X6		2			
090	652031-1	平頭螺絲 M3X6		2			
091	632T08-2	端子單元		1			
092	183U87-4	TERMINAL BOX SET		1			
C10	263005-3	橡膠銷 6		4			
D10		INC. 84					
093	266326-2	扁圓頭自攻螺絲 4X18		2			
094	413C75-2	BATTERY ADAPTER R		1			
095	232731-5	LEVER SPRING		1			
096	266326-2	扁圓頭自攻螺絲 4X18		1			
097	413C77-8	LOCK COVER		1			
098	413C76-0	BATTERY ADAPTER LOCK		2			
099	232730-7	COMPRESSION SPRING 5		2			
100	327928-0	FRONT GRIP 26		1	*		
100-1	327C20-0	FRONT GRIP 26	<	1			
101	266373-3	扁圓頭自攻螺絲 5X35		2			
102	312C34-2	SPRING HOLDER B		2			
103	232729-2	COMPRESSION SPRING 13		2			
104	266021-4	扁圓頭自攻螺絲 5X20		2			
105	312C33-4	SPRING HOLDER A		2			
106	413C71-0	SPRING HOLDER D		1			
107	232728-4	COMPRESSION SPRING 12		1			
108	312C35-0	SPRING HOLDER C		1			
110	183Y26-8	HANDLE SET		1			
C10	8040V4-6	XGT 標誌標籤		1			
D10		INC. 69					
111	136926-1	HOSE COVER ASS'Y		1			
C10	263005-3	橡膠銷 6		2			
112	266326-2	扁圓頭自攻螺絲 4X18		2			
113	424788-2	減震器		1			
114	312C32-6	STAND SUPPORT		1			
115	266021-4	扁圓頭自攻螺絲 5X20		2			
116	422823-0	REAR FOOT		2			

117	413N25-3	CLAMP BASE		1				
118	266326-2	扁圓頭自攻螺絲 4X18		2				
119	347916-1	BOTTOM GUARD		1				
120	922233-6	內六角頭螺柱 M5X20 WR		2				
121	266326-2	扁圓頭自攻螺絲 4X18		2				
122	413C70-2	MOTOR HOUSING		1				
123	266490-9	平頭自攻螺絲 2X6		3				
124	687B69-9	止動器		1				
125	620E26-2	控制器 B		1				
126	652031-1	平頭螺絲 M3X6		3				
127	632T19-7	LEAD UNIT		1	*			
127-1	632T58-7	LEAD UNIT	<	1				
128	629A92-2	STATOR		1				
129	459144-7	擋板		1				
130	266326-2	扁圓頭自攻螺絲 4X18		2				
131	210059-1	滾珠軸承 6000DDW		1				
132	519717-9	ROTOR ASS'Y		1				
D10		INC. 131						
133	962211-4	扣環(INT)圓形 R-42		1				
134	253545-9	FLAT WASHER 28		1				
135	267212-0	平墊圈 12		1				
136	211132-0	滾珠軸承 6301DDW		1				
137	262085-6	橡膠圈 38		1				
138	141G44-4	GEAR HOUSING COMPLETE		1				
C10	263002-9	橡膠銷 4		1				
139	266021-4	扁圓頭自攻螺絲 5X20		4				
140	922343-9	內六角頭螺柱 M6X25 WR		4				
141	227921-3	SPIRAL BEVEL GEAR 15		1				
142	252178-7	六角螺母 M8-12		1				
143	422821-4	SPONGE SHEET		1				
144	265620-9	法蘭自攻螺絲 4X18		1				
145	620H50-3	LED CIRCUIT		1				
146	183U88-2	MOTOR HOUSING COVER SET		1				
D10		INC. 149						
147	620K97-5	CONTROLLER		1				
148	266326-2	扁圓頭自攻螺絲 4X18		5				
149	183U88-2	MOTOR HOUSING COVER SET		1				
D10		INC. 146						
150	922343-9	內六角頭螺柱 M6X25 WR		5				
151	8585M0-3	CE002G SERIAL NO. LABEL		1				
152	8585L3-0	CE002G NAME PLATE		1				
A01	191W53-9	RING SET		1				

A02	413N26-1	HOSE CLAMP 40		1				
A03	413P08-5	HOSE CLAMP 46		1				
A04	782037-6	BOX WRENCH 13-19		1				
A05	D-56998	LASER DIAMOND WHEEL SEGMENTED		1				

Please order the parts with part number.

Print Date 2023/5/4