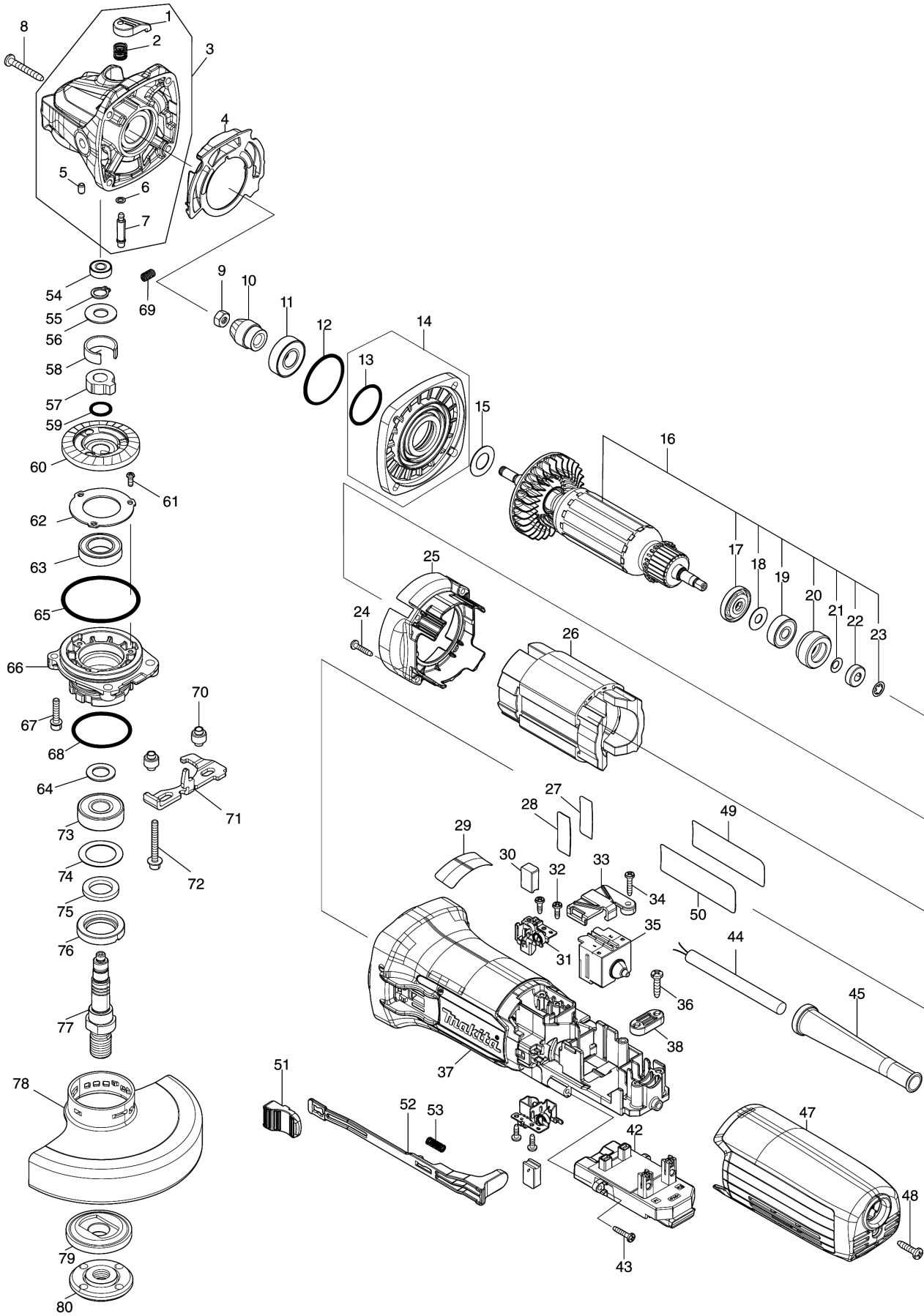


# Model No. GA5092 125MM ANGLE GRINDER



## Model No.GA5092 125MM ANGLE GRINDER

分解圖號	零件編號	品名	交換	數量	New/Old	選擇1	選擇2	註記
001	453369-5	PIN CAP		1				
002	234057-1	壓縮彈簧 8		1				
003	136770-6	GEAR HOUSING ASS'Y		1				
D10		INC.1,2,5-7						
004	413C06-1	DIFFUSER		1				
005	263002-9	橡膠銷 4		1				
006	213032-0	O-形環 4		1				
007	256535-1	肩法蘭銷 6		1				
008	266361-0	扁頭自攻螺絲 4X30		4				
009	252186-8	HEX. NUT M6		1				
010	227916-6	SPIRAL BEVEL GEAR 11		1				
011	211131-2	BALL BEARING 6001DDW		1				
012	422812-5	RUBBER PLATE		1				
013	213693-6	O-形環 27.5		1				
014	136771-4	GEAR HOUSING COVER ASS'Y		1				
D10		INC. 13						
015	253084-9	平墊圈 12		1				
016	511A46-2	ARMATURE ASS'Y 115V		1				
D10		INC. 17-23						
017	681656-4	絕緣墊圈		1				
018	253823-7	平墊圈 7		1				
019	210027-4	BALL BEARING 627DDW		1				
020	422811-7	LABYRINTH RUBBER RING 22		1				
021	267756-0	波浪墊圈 6		1				
022	688117-5	磁性套管		1				
023	259039-2	SELF LOCK 6		1				
024	266429-2	扁頭自攻螺絲 3X16		4				
025	413C07-9	BAFFLE PLATE A		1				
026	621965-9	FIELD 100-115V		1				
027	807G78-4	透明標籤		1				
028	858N57-7	GA5092 SERIAL NO. LABEL		1				
029	898443-6	SJS2標籤		1				
030	1911H3-8	CARBON BRUSH 262 SET		1				
031	644011-1	BRUSH HOLDER		2				
032	266007-8	扁頭PT自攻螺絲 3X10		4				
033	413G29-3	SWITCH COVER		1				
034	266429-2	扁頭自攻螺絲 3X16		1				
035	650028-4	SWITCH FPC-2115T-0-02		1				
036	266326-2	扁頭自攻螺絲 4X18		2				
037	413C09-5	MOTOR HOUSING A		1				

038	687149-9	STRAIN RELIEF		1			
042	620H22-8	CONTROLLER		1			
043	266429-2	扁頭自攻螺絲 3X16		2			
044	693564-7	電源供應線 2.0-2-2.5		1			
045	682581-2	CORD GUARD		1			
047	413C02-9	REAR COVER C		1			
048	266326-2	扁頭自攻螺絲 4X18		1			
049	8055D2-7	CLEAR LABEL		1			
050	858N53-5	GA5092 NAME PLATE		1			
051	413C10-0	SWITCH KNOB A		1			
052	413C03-7	SWITCH LEVER		1			
053	233121-5	壓縮彈簧 4		1			
054	210026-6	BALL BEARING 696ZZ		1			
055	961006-2	扣環(EXT) S-10		1			
056	253180-3	平墊圈 10		1			
057	327918-3	JOINT SLEEVE		1			
058	347911-1	C TYPE PLATE		1			
059	213122-9	O-形環 12		1			
060	227917-4	SPIRAL BEVEL GEAR 38		1			
061	265199-0	平頭螺絲 M3X8		3			
062	285048-5	BEARING RETAINER 27-46		1			
063	210302-8	BALL BEARING 6903ZZ		1			
064	253744-3	平墊圈 12		1			
065	213641-5	O-形環 51		1			
066	312C10-6	BEARING BOX A		1			
067	266948-8	內六角螺絲 M4X20 WR		2			
068	213789-3	O-形環 38		1	*		
068-1	262211-7	RUBBER RING 37	<	1	*		
068-2	213789-3	O-形環 38	<	1			
069	232490-1	COMPRESSION SPRING 4		1			
070	327322-6	SLEEVE 4		2			
071	347909-8	LEVER A		1			
072	265C21-9	H.S.H.BOLT M4X35(WITH WG)		2			
073	211129-9	BALL BEARING 6201DDW		1			
074	267279-8	平墊圈 21		1			
075	443124-3	毛氈環 17		1			
076	285854-8	BEARING RETAINER 20-33		1			
077	327916-7	SPINDLE		1			
078	141L57-5	WHEEL COVER 125T COMPLETE		1	*		
C10	8050A1-8	CAUTION LABEL		1	*		
C20	812D46-6	警告標籤		1	*		
078-1	141R69-4	WHEEL COVER 125T COMPLETE	<	1			

C10	8050A1-8	CAUTION LABEL		1			
C20	812D46-6	警告標籤		1			
079	224490-5	內凸法蘭 14-45		1			
080	224485-8	LOCK NUT 14-45		1			
A01	A-80933	GRINDING WHEEL 125X6X22(A36P)		1			
A02	141L48-6	WHEEL COVER 125CT COMPLETE		1	*		
C10	8054J1-5	CAUTION LABEL		1	*		
A02-1	141R77-5	WHEEL COVER 125CT COMPLETE	<	1			
C10	8054J1-5	CAUTION LABEL		1			
A03	141J72-7	GRIP 35 COMPLETE		1			
A04	782034-2	LOCK NUT WRENCH 35		1			
F02	191V72-9	DUST COVER ATTACHMENT SET		1			
F03	191W05-0	115/125MM DUST COVER SET		1			
C10	743129-6	BRUSH A		1			
C20	743130-1	BRUSH B		1			
F04	1910X5-0	GRIP 35 SET		1			
F05	1910X6-8	GRIP 35 SET		1			
F07	1910Y0-7	WHEEL COVER 125C SET		1			
F11	194514-0	防震握把組		1			

Please order the parts with part number.

Print Date 2023/3/21