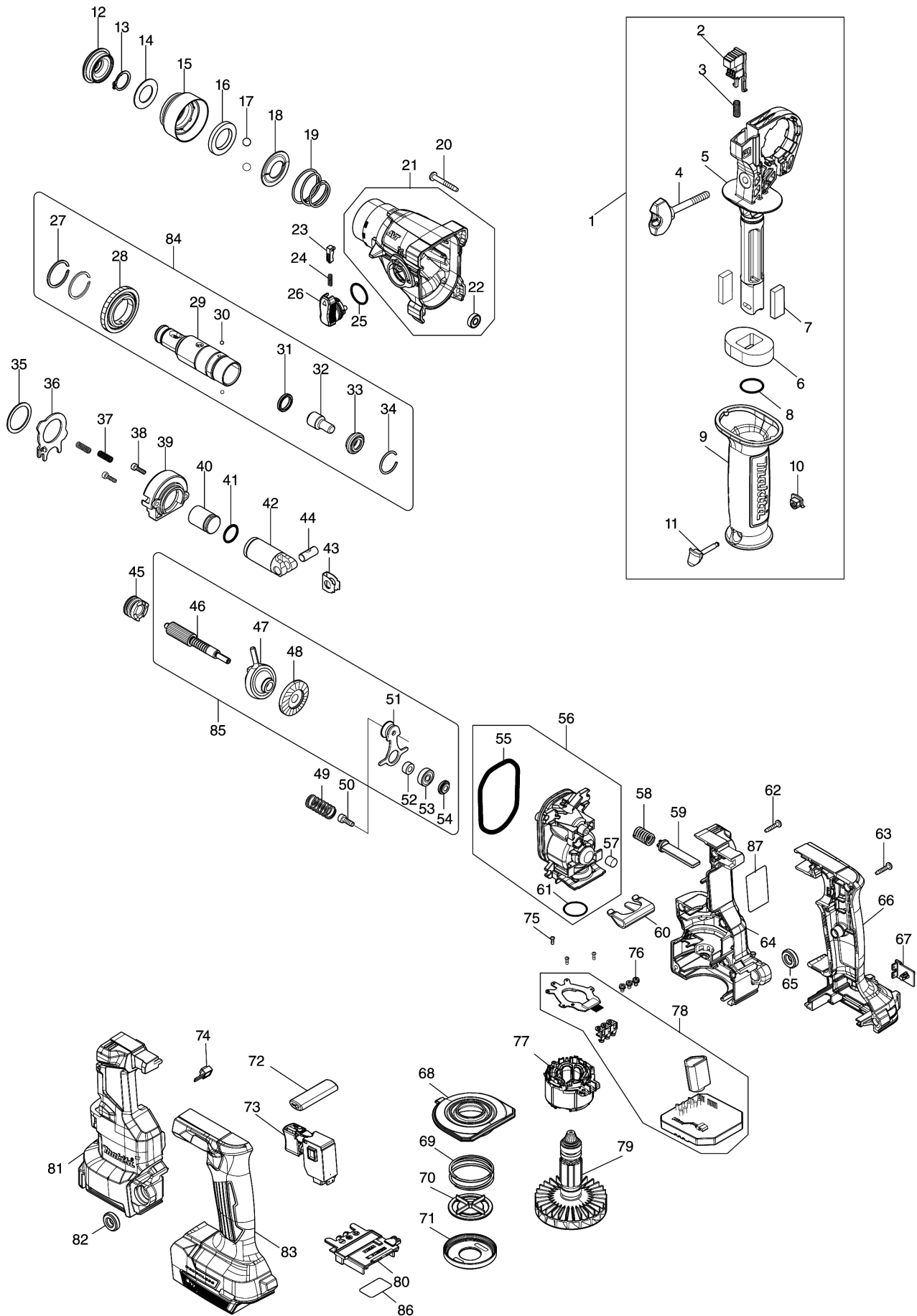


Model No.DHR183 18MM CORDLESS ROTARY HAMMER



Model No.DHR183 18MM CORDLESS ROTARY HAMMER

分解圖號	零件編號	品名	交換	數量	New/Old	選擇1	選擇2	註記
001	122D63-1	GRIP ASSEMBLY		1				
D10		INC. 2-11						
002	413N19-8	LOCK BUTTON		1				
003	233360-7	壓縮彈簧 4		1				
004	265625-9	手轉螺絲 M6X50		1				
005	413N18-0	SIDE HANDLE BASE		1				
006	422A19-9	SPONGE SHEET A		1				
007	422A20-4	SPONGE SHEET B		2				
008	213262-3	O-形環 18		1				
009	413N20-3	GRIP 36		1				
010	422255-1	CAP		1				
011	162C55-2	FIX PIN		1				
012	286037-3	CAP 34		1				
013	961057-5	扣環(EXT) S-17		1				
014	253377-4	平墊圈 17		1				
015	457214-6	夾頭護蓋		1				
016	257416-2	擋圈 21		1				
017	216022-2	鋼珠 7.0		2				
018	346177-0	導引墊圈		1				
019	232347-6	錐形壓縮彈簧 21-29		1				
020	266050-7	扁頭PT自攻螺絲 4X30		4				
021	136955-4	GEAR HOUSING ASS'Y		1				
D10		INC. 22						
022	211157-4	BALL BEARING 695ZZ		1				
023	161568-2	LOCK BUTTON COMPLETE		1				
024	232344-2	壓縮彈簧 3		1				
025	213278-8	O-形環 17		1				
026	161569-0	切換桿套組		1				
027	961135-1	扣環(EXT) WR-25		2				
028	227A13-4	SPUR GEAR 42		1				
029	327B25-4	TOOL HOLDER		1				
030	216019-1	鋼珠 3		2				
031	213183-9	X-形環 13		1				
032	326843-5	衝擊螺栓		1				
033	326842-7	擋圈 10		1				
034	232343-4	環形彈簧 23		1				
035	267175-0	平墊圈 24		1				
036	347B03-8	CHANGE PLATE		1				
037	232802-8	COMPRESSION SPRING 4		2				
038	265910-0	內六角螺栓 M3X12		2				
039	141N19-5	INNER SUPPORT		1				

		COMPLETE					
040	327007-4	鏈		1			
041	213128-7	O-形環 12		1			
042	319510-9	活塞缸		1			
043	347B05-4	GUIDE PLATE		1			
044	326846-9	PISTON JOINT		1			
045	327B24-6	CLUTCH CAM		1			
046	227A12-6	SPUR GEAR 9		1			
047	219033-6	SWASH BEARING 8		1			
048	227A14-2	SPIRAL BEVEL GEAR 29		1			
049	232801-0	COMPRESSION SPRING 10		1			
050	265353-6	內六角螺栓 M4X12		1			
051	141N20-0	BEARING RETAINER COMPLETE		1			
052	257890-4	RING 5		1			
053	210065-6	BALL BEARING 625ZZ		1			
054	326847-7	擋圈 5		1			
055	213A29-5	O RING 55		1			
056	136961-9	INNER HOUSING ASS'Y		1			
D10		INC. 55,57,61					
057	443153-6	毛氈		1			
058	232782-8	COMPRESSION SPRING 8		1			
059	413N16-4	PUSHER		1			
060	347A85-4	BEARING RETAINER		1			
061	213325-5	O-形環 19		1			
062	266130-9	扁頭PT自攻螺絲 3X16		5			
063	266130-9	扁頭PT自攻螺絲 3X16		6			
064	183X92-9	HOUSING SET		1			
D10		INC. 81					
065	422A09-2	CUSHION RING 8		1			
066	183X68-6	HANDLE SET		1			
C10	263005-3	橡膠銷 6		2			
D10		INC. 83					
067	422A08-4	CAP		1			
068	413N60-1	AIR DUCT		1			
069	232796-7	COMPRESSION SPRING 37		1			
070	413N14-8	VALVE		1			
071	413N15-6	CAP		1			
072	454980-6	F/R變換控制桿		1			
073	650689-0	開關 C3JW-2B		1			
074	620K85-2	LED CIRCUIT		1			
075	266490-9	平頭PT自攻螺絲 2X6		3			
076	652069-6	平頭螺絲 M3X6		3			
077	629C18-6	STATOR		1			

078	620L24-8	CONTROLLER		1			
079	619816-8	ROTOR		1			
080	643874-2	端子		1			
081	183X92-9	HOUSING SET		1			
D10		INC. 64					
082	422A09-2	CUSHION RING 8		1			
083	183X68-6	HANDLE SET		1			
C10	263005-3	橡膠銷 6		2			
D10		INC. 66					
084	136959-6	TOOL HOLDER ASS'Y		1			
D10		INC. 27-34					
085	136960-1	SPUR GEAR 9 ASS'Y		1			
D10		INC. 46-48,51-54					
086	8588S0-3	DHR183 SERIAL NO. LABEL		1			
087	8588R3-0	DHR183 NAME PLATE		1			
A01	413N42-3	DEPTH GAUGE		1			
A02B	821552-6	連接器塑料盒 (類型4)		1			
C10	453974-8	門鎖		4			
A03B	8356M9-8	INNER TRAY		1			
A04B	450128-8	電池蓋		1			
A05B	***DC18RC	DC18RC FAST CHARGER		1			
D10		COMPO-PARTS					
A06B	197287-4	電池組 BL1850B		2			
A07B	***DX16	DX16DUST COLLECTION SYSTEM SET		1			
C10	422992-7	SEALING CAP		5			
D10		COMPO-PARTS					
B01	198564-7	電鏈維修服務套件		1			
C10	195127-0	油管組		1			
D10		INC. 12,13,17,31,34,41					
F03	1911K0-5	TOOL HANGER SET		1			
F06	1911P5-0	DUST CASE SET		1			
F07	1911P8-4	DUSTCUP SET		1			

Please order the parts with part number.

Print Date 2023/3/17