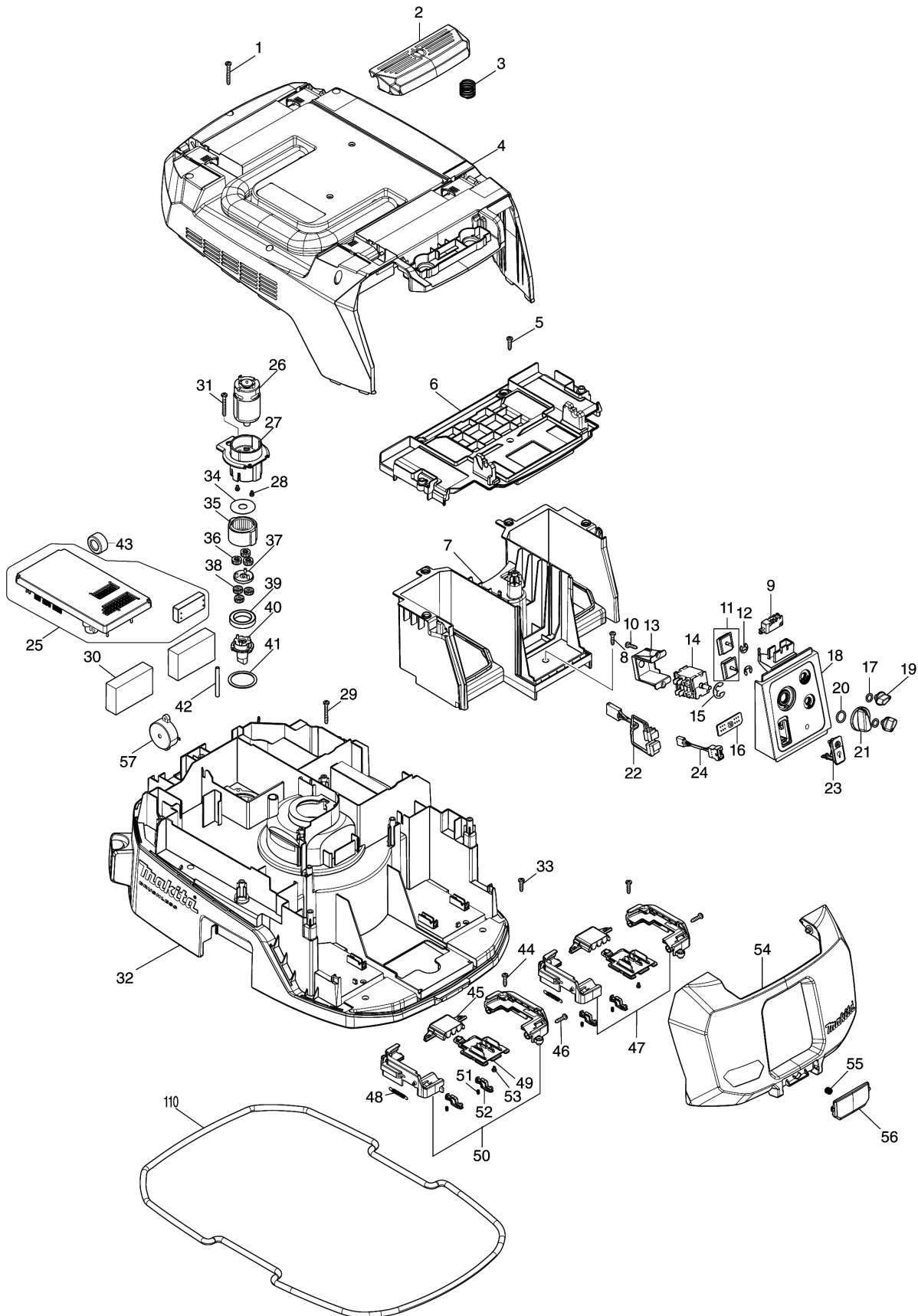


Model No.VC006GM CORDLESS VACUUM CLEANER



Model No.VC006GM CORDLESS VACUUM CLEANER

分解圖號	零件編號	品名	交換	數量	New/Old	選擇1	選擇2	註記
001	266351-3	扁頭自攻螺絲 4X35		9				
002	413B26-9	SWITCH BUTTON		1				
003	234273-5	壓縮彈簧 20		2				
004	141L64-8	COWLING COMPLETE		1				
C10	8059E1-0	CAUTION LABEL		1				
C20	413K73-4	GRIP		1				
C30	413K74-2	LATCH		4				
005	266326-2	扁頭自攻螺絲 4X18		1				
006	413K69-5	UPPER HOUSING		1				
007	413K68-7	LOWER HOUSING		1				
008	266326-2	扁頭自攻螺絲 4X18		1				
009	651910-0	開關 D2VW-01-3HS		1				
010	266326-2	扁頭自攻螺絲 4X18		2				
011	620H02-4	DIAL CIRCUIT		1				
012	961013-5	止動環 (EXT) E-7		2				
013	451343-7	SWITCH HOLDER		1				
014	650014-5	SWITCH 1703.4803		1				
015	961062-2	止動環 (EXT) E-12		1				
016	620F40-4	INDICATION CIRCUIT		1				
017	213054-0	O-形環 9		2				
018	141L60-6	SWITCH BASE A COMPLETE		1				
C10	8056M2-6	INDICATION LABEL		1				
019	451344-5	開關刻度盤		2				
020	213176-6	O-形環 14		1				
021	451342-9	開關桿		1				
022	638A19-1	LEAD UNIT		1				
023	141L63-0	CAP COMPLETE		1				
024	632L47-4	連接器單元		1				
025	620G99-7	CONTROLLER		1				
026	629B77-4	DC MOTOR		1				
027	454207-4	齒輪箱		1				
028	911003-8	平頭螺絲 M3X6 WR		2				
029	266351-3	扁頭自攻螺絲 4X35		6				
030	422929-4	REAR BLOCK FILTER		2				
031	266351-3	扁頭自攻螺絲 4X35		2				
032	141L58-3	SEPARATOR COMPLETE		1				
033	266326-2	扁頭自攻螺絲 4X18		2				
034	267067-3	平墊圈 12		1				
035	226285-2	內齒輪 42		1				
036	226283-6	正齒輪 15		3				

037	153228-0	正齒輪 9 組件		1			
038	226284-4	正齒輪 15		3			
039	211375-4	BALL BEARING 6805LLB		1			
040	135554-9	軸心組件		1			
041	267464-3	平墊圈 34		1			
042	684990-1	VINYL TUBE		1			
043	688131-1	LINE FILTER		1			
044	266326-2	扁頭自攻螺絲 4X18		4			
045	413B40-5	TERMINAL COVER		2			
046	266326-2	扁頭自攻螺絲 4X18		4			
047	183U06-0	TERMINAL CASE SET		1			
048	232722-6	TENSION SPRING 4		4			
049	632T08-2	TERMINAL UNIT		2			
050	183W98-1	TERMINAL CASE SET		1			
051	232472-3	COMPRESSION SPRING 2		4			
052	413B41-3	LOCK LEVER		4			
053	652031-1	平頭螺絲 M3X6		4			
054	183X55-5	BATTERY COVER SET		1			
C10	8059D9-7	XGT LOGO LABEL		1			
055	231456-8	壓縮彈簧 7		1			
056	413K71-8	BATTERY COVER HOOK		1			
057	620J90-3	BUZZER CIRCUIT		1			
059	422926-0	RUBBER RING		1			
060	413K59-8	MOTOR HOUSING		1			
061	629B75-8	STATOR		1			
062	413K60-3	BAFFLE PLATE		1			
063	266326-2	扁頭自攻螺絲 4X18		2			
064	210022-4	BALL BEARING 626DDW		1			
065	519777-1	ROTOR ASS'Y		1			
D10		INC. 64,66					
066	211491-2	BALL BEARING 609DDW		1			
067	413K61-1	BASE		1			
068	413K62-9	FAN BASE		1			
069	266173-1	扁頭PT自攻螺絲 5X30		3			
070	313062-2	法蘭		1			
071	240178-9	風扇 104		1			
072	253752-4	平墊圈 8		1			
073	252268-6	HEX. NUT M6		1			
074	347A40-6	FAN COVER		1			
075	422793-3	SUPPORT RING		1			
076	266326-2	扁頭自攻螺絲 4X18		2			
077	413K91-2	OUTER VALVE HOLDER		1			
078	141L70-3	OUTER VALVE COMPLETE		1			
079	266326-2	扁頭自攻螺絲 4X18		2			

080	413K91-2	OUTER VALVE HOLDER	1			
081	141L70-3	OUTER VALVE COMPLETE	1			
082	8581G7-3	VC006GM NAME PLATE	1			
083	421468-1	絕緣電線密封墊	2			
084	266326-2	扁頭自攻螺絲 4X18	1			
085	413K94-6	SEAL STOPPER	1			
086	141L68-0	TANK COVER COMPLETE	1			
087	413K83-1	HOOK	2			
088	213304-3	O-形環 20	1			
089	413K93-8	CAM	1			
090	413K92-0	INNER VALVE HOLDER	1			
091	266326-2	扁頭自攻螺絲 4X18	2			
092	141L71-1	INNER VALVE COMPLETE	1			
093	141L71-1	INNER VALVE COMPLETE	1			
094	413K92-0	INNER VALVE HOLDER	1			
095	266326-2	扁頭自攻螺絲 4X18	2			
096	422944-8	SEAL RING A	1			
097	638A41-8	LEAD UNIT	2			
098	422932-5	SEAL RING B	2			
099	413K75-0	FRONT STAND L	1			
100	413K76-8	FRONT STAND R	1			
101	266326-2	扁頭自攻螺絲 4X18	6			
102	413K84-9	INNER COVER	1			
103	266351-3	扁頭自攻螺絲 4X35	4			
104	413K85-7	REAR STAND	1			
105	1911B6-0	POWDER FILTER M SET	2			
106	1911B4-4	DAMPER SET	2			
107	1911B5-2	PRE FILTER SET	2			
108	413K86-5	TOP PLATE	1			
109	127480-6	LATCH ASSEMBLY	1			
110	422943-0	SEAL RING C	1			
111	266374-1	扁頭自攻螺絲 4X25	3			
112	266420-0	扁頭自攻螺絲 5X20	2			
113	422934-1	BUMPER B	1			
114	457853-2	HOLDER PLATE	1			
115	457852-4	HOLDER	1			
116	413K78-4	HOSE HOOK	2			
117	413K77-6	TANK	1			
118	649150-2	接地線路 120	1			
119	421468-1	絕緣電線密封墊	1			
120	213655-4	O-形環 56	1			
121	457851-6	INLET	1			
122	413K81-5	INLET COVER	1			
123	327A50-9	JOINT PIPE 20-343	1			

124	168547-1	腳輪 75		2			
125	457862-1	DRAIN BELT		1			
126	422179-1	SEAL		1			
127	457861-3	DRAIN CAP		1			
128	347A42-2	PLATE		2			
129	413K79-2	CASTER 170		2			
130	266326-2	扁頭自攻螺絲 4X18		4			
131	961060-6	扣環(EXT) S-20		2			
132	267299-2	平墊圈 20		2			
133	422933-3	BUMPER A		1			
134	413K80-7	WHEEL CAP		2			
135	266351-3	扁頭自攻螺絲 4X35		4			
A01	199455-5	NOZZLE ASSEMBLY SET		1			
A02	195433-3	軟管組 28-3.5		1			
C10	417191-4	CUFF LOCK		1			
C20	417586-1	止動器		1			
C30	417662-1	袖套組		1			
C40	417766-9	前護套 38		1			
C50	417765-1	前護套 22		1			
C60	424379-9	前護套 24		1			
A03	195434-1	軟管組 38-2.5		1			
C10	417191-4	CUFF LOCK		1			
C20	417306-3	袖套組		2			
C30	417307-1	前護套		1			
C40	417586-1	止動器		2			
A04	1910Y4-9	FILTER BAG SET		1			
A05	192563-1	STRAIGHT PIPE SET 565-38		1			
A06	192562-3	BENDING PIPE		1			
A07	410306-2	CORNER NOZZLE		1			
A08	195547-8	前護套組 22		1			
A09	195546-0	前護套組 24		1			
A10	422A02-6	CAP		1			
A11	451350-0	止動器		1			
A12	911138-5	平頭螺絲 M4X20 WR		1			
F08	1910N0-0	FILTER FOR WATER SET		1			

Please order the parts with part number.

Print Date 2023/2/7