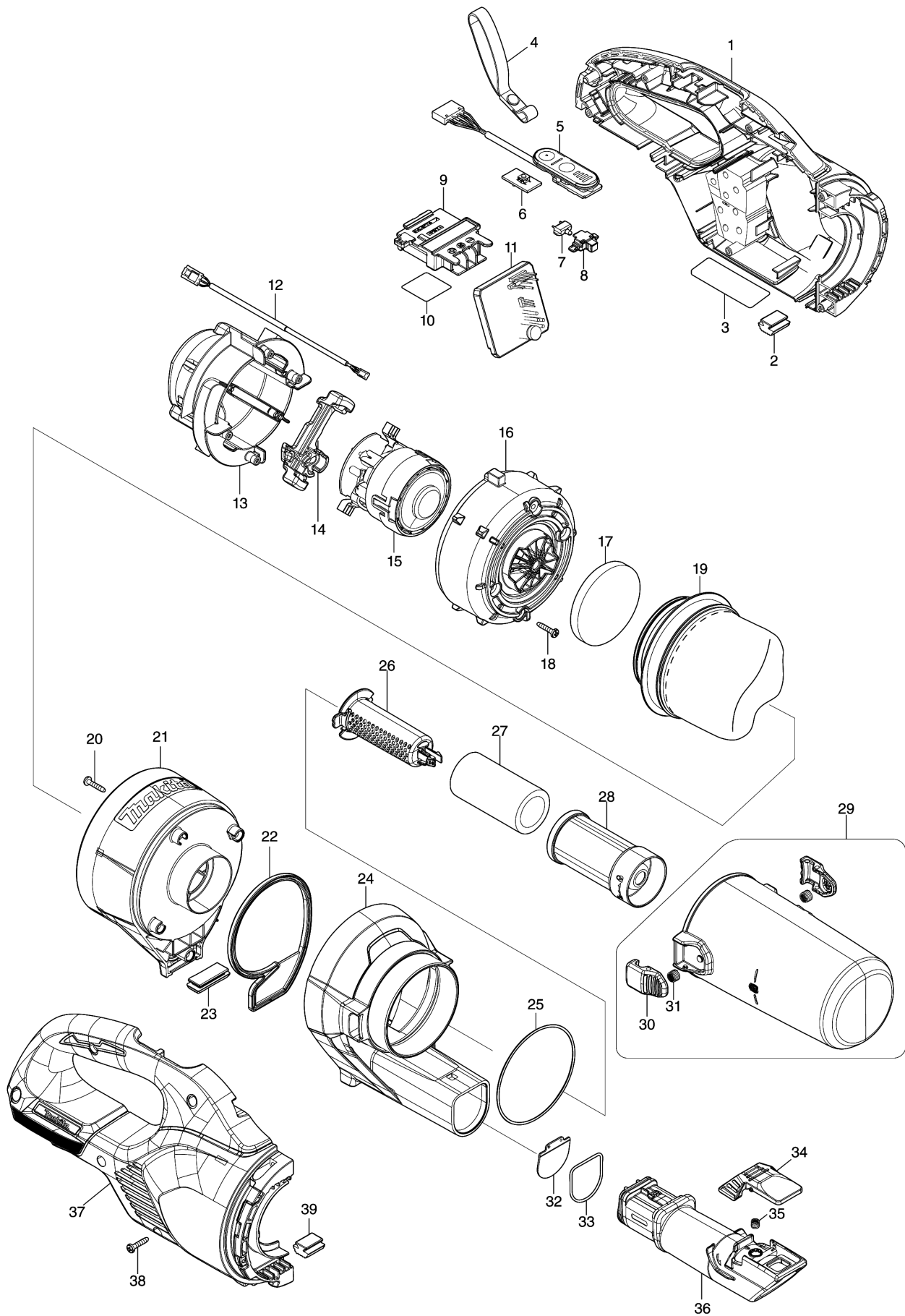


Model No.DCL286F CORDLESS CLEANER



## Model No.DCL286F CORDLESS CLEANER

分解圖號	零件編號	品名	交換	數量	New/Old	選擇1	選擇2	註記
001A	183Y66-6	HOUSING SET		1				
001B	183Y66-6	HOUSING SET		1				
001C	183Y52-7	HOUSING SET		1				
001D	183Y52-7	HOUSING SET		1				
001E	183Y67-4	HOUSING SET		1				
001F	183Y67-4	HOUSING SET		1				
C10	263005-3	RUBBER PIN 6		2				
C20	422974-9	SPONGE SHEET		2				
D10		INC. 2,37,39						
002	422460-0	RUBBER PLATE		1				
003	8588M1-9	DCL286F NAME PLATE		1				
004	163400-6	HANDSTRAP		1				
005	141B54-1	INDICATION CIRCUIT COMPLETE		1				
006	620E74-1	SWITCH UNIT		1				
007	620E82-2	LED CIRCUIT		1				
008	141H09-2	LED CASE COMPLETE		1				
009	643874-2	TERMINAL		1				
010	8588N3-2	DCL286F SERIAL NO. LABEL		1				
011	620L20-6	CONTROLLER		1				
C10	688163-8	LINE FILTER		1				
012	632S32-9	LEAD UNIT		1				
013	141E55-7	MOTOR COVER R COMPLETE		1				
C10	263002-9	RUBBER PIN 4		4				
014	422723-4	MOTOR COVER SEAL		1				
015	629B87-1	MOTOR ASSEMBLY		1				
016	413645-9	MOTOR COVER F		1				
017	422909-0	SPONGE SHEET 62		1				
018	266429-2	TAPPING SCREW 3X16		4				
019	1910C7-9	HIGH PERFORMANCE FILTER SET		1				
020	266429-2	TAPPING SCREW 3X16		4				
021A	413H34-6	FILTER HOUSING		1				
021B	413H34-6	FILTER HOUSING		1				
021C	413H18-4	FILTER HOUSING		1				
021D	413H18-4	FILTER HOUSING		1				
021E	413H37-0	FILTER HOUSING		1				
021F	413H37-0	FILTER HOUSING		1				
022	422884-0	SEAL		1				
023	422885-8	RUBBER PLATE		1				
024A	413H35-4	FRONT HOUSING		1				

024B	413H35-4	FRONT HOUSING		1			
024C	413H19-2	FRONT HOUSING		1			
024D	413H19-2	FRONT HOUSING		1			
024E	413H38-8	FRONT HOUSING		1			
024F	413H38-8	FRONT HOUSING		1			
025	213884-9	O RING 72		1			
026	413H21-5	MESH PIPE		1			
027	422908-2	SPONGE FILTER		1			
028	413H29-9	PREFILTER		1			
029	136713-8	DUST BOX ASSEMBLY		1			
D10		INC. 30,31					
030	459106-5	STOPPER		2			
031	232460-0	COMPRESSION SPRING 7		2			
032	422886-6	VALVE		1			
033	213837-8	O-RING 29		1			
034	413H20-7	LEVER		1			
035	232485-4	COMPRESSION SPRING 5		1			
036A	413H36-2	INLET		1			
036B	413H36-2	INLET		1			
036C	413H25-7	INLET		1			
036D	413H25-7	INLET		1			
036E	413H39-6	INLET		1			
036F	413H39-6	INLET		1			
037A	183Y66-6	HOUSING SET		1			
037B	183Y66-6	HOUSING SET		1			
037C	183Y52-7	HOUSING SET		1			
037D	183Y52-7	HOUSING SET		1			
037E	183Y67-4	HOUSING SET		1			
037F	183Y67-4	HOUSING SET		1			
C10	263005-3	RUBBER PIN 6		2			
C20	422974-9	SPONGE SHEET		2			
D10		INC. 1,2,39					
038	266429-2	TAPPING SCREW 3X16		7			
039	422460-0	RUBBER PLATE		1			
A01A	127827-4	NOZZLE ASSEMBLY		1			
A01B	127827-4	NOZZLE ASSEMBLY		1			
A01C	127825-8	NOZZLE ASSEMBLY		1			
A01D	127825-8	NOZZLE ASSEMBLY		1			
A01E	127828-2	NOZZLE ASSEMBLY		1			
A01F	127828-2	NOZZLE ASSEMBLY		1			
C10	268208-4	PIN 3		4			
C20	451410-8	ROLLER		4			
C30	422963-4	WIPER		1			
A02A	413859-0	SASH NOZZLE		1			

A02B	413859-0	SASH NOZZLE		1				
A02C	413770-6	SASH NOZZLE		1				
A02D	413770-6	SASH NOZZLE		1				
A02E	413809-5	SASH NOZZLE		1				
A02F	413809-5	SASH NOZZLE		1				
A03A	459355-4	NOZZLE HOLDER		1				
A03B	459355-4	NOZZLE HOLDER		1				
A03C	459354-6	NOZZLE HOLDER		1				
A03D	459354-6	NOZZLE HOLDER		1				
A03E	459038-6	NOZZLE HOLDER		1				
A03F	459038-6	NOZZLE HOLDER		1				
A04A	459356-2	PIPE		1				
A04B	459356-2	PIPE		1				
A04C	459353-8	PIPE		1				
A04D	459353-8	PIPE		1				
A04E	458942-6	PIPE		1				
A04F	458942-6	PIPE		1				
A05B	***DC18RC	DC18RC FAST CHARGER		1				
D10		COMPO-PARTS						
A05D	***DC18RC	DC18RC FAST CHARGER		1				
D10		COMPO-PARTS						
A05F	***DC18RC	DC18RC FAST CHARGER		1				
D10		COMPO-PARTS						
A06B	197604-8	BATTERY BL1830B SET		1				
A06D	197427-4	BATTERY BL1860B SET		1				
A06F	197427-4	BATTERY BL1860B SET		1				
A07B	450128-8	BATTERY COVER		1				
A07D	450128-8	BATTERY COVER		1				
A07F	450128-8	BATTERY COVER		1				

Please order the parts with part number.

Print Date 2023/2/6