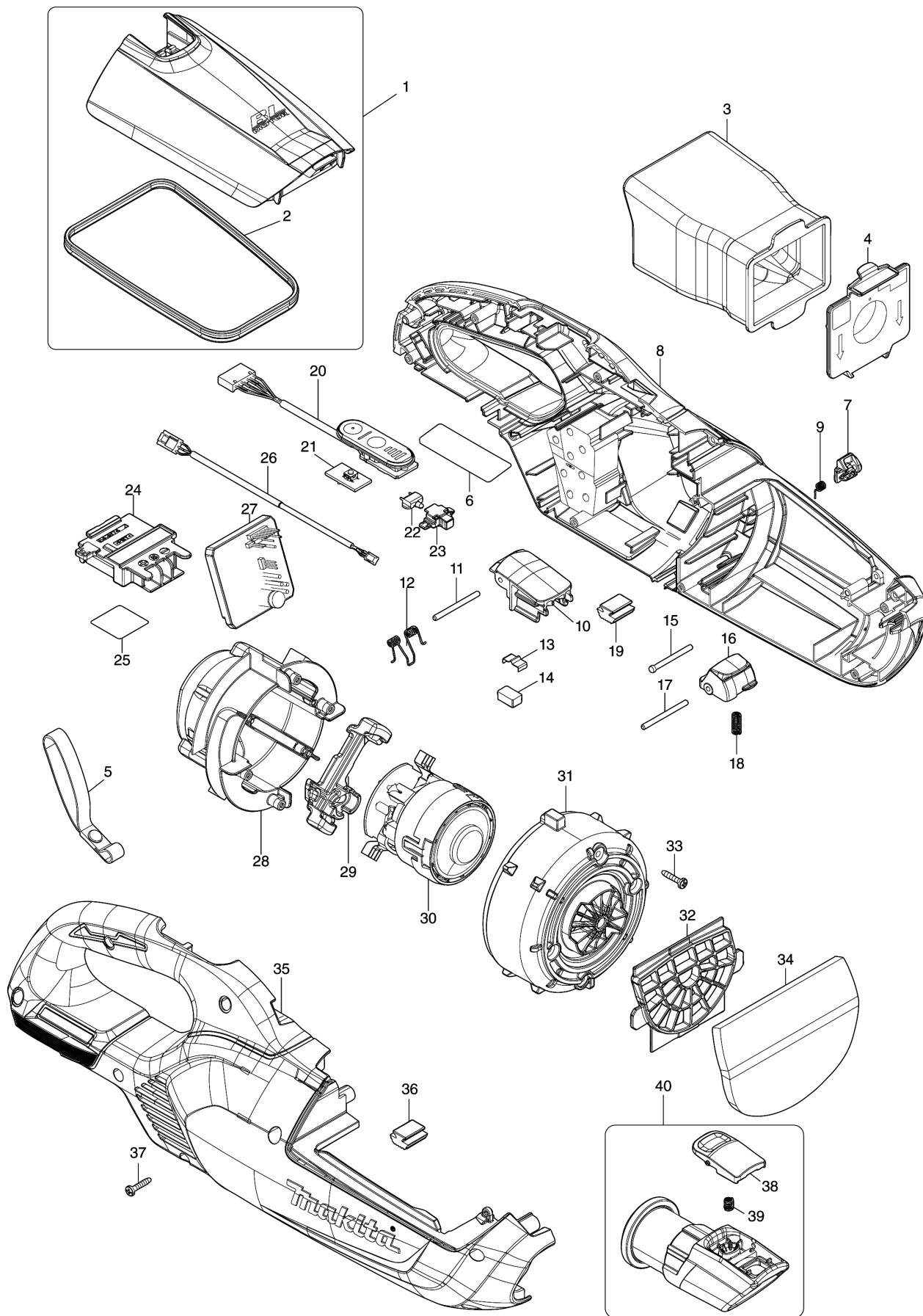


Model No.DCL285F CORDLESS CLEANER



Model No.DCL285F CORDLESS CLEANER

分解圖號	零件編號	品名	交換	數量	New/Old	選擇1	選擇2	註記
001A	136907-5	FRONT COVER ASSEMBLY		1				
001B	136906-7	FRONT COVER ASSEMBLY		1				
001C	136906-7	FRONT COVER ASSEMBLY		1				
001D	136908-3	FRONT COVER ASSEMBLY		1				
001E	136908-3	FRONT COVER ASSEMBLY		1				
D10		INC. 2						
002	424093-7	SEAL		1				
003	1910M4-5	HIGH PERFORMANCE DUST BAG SET		1				
004	140K23-3	VALVE STAY COMPLETE		1				
005	163400-6	HANDSTRAP		1				
006	8588J6-8	DCL285F NAME PLATE		1				
007A	459352-0	STOPPER PLATE		1				
007B	459327-9	STOPPER PLATE		1				
007C	459327-9	STOPPER PLATE		1				
007D	459302-5	STOPPER PLATE		1				
007E	459302-5	STOPPER PLATE		1				
008A	183Y69-0	HOUSING SET		1				
008B	183Y53-5	HOUSING SET		1				
008C	183Y53-5	HOUSING SET		1				
008D	183Y70-5	HOUSING SET		1				
008E	183Y70-5	HOUSING SET		1				
C10	263005-3	RUBBER PIN 6		2				
C20	422974-9	SPONGE SHEET		2				
D10		INC. 19,35,36						
009	232484-6	TORSION SPRING 4		1				
010A	459350-4	FRONT COVER JOINT		1				
010B	459330-0	FRONT COVER JOINT		1				
010C	459330-0	FRONT COVER JOINT		1				
010D	459351-2	FRONT COVER JOINT		1				
010E	459351-2	FRONT COVER JOINT		1				
011	268271-7	PIN 3		1				
012	233580-3	TORSION SPRING 4		1				
013	232264-0	LEAF SPRING		1				
014	424367-6	RUBBER		1				
015	256590-3	FLAT FILLISTER HD. PIN 3		1				
016A	459348-1	BUTTON B		1				
016B	459329-5	BUTTON B		1				
016C	459329-5	BUTTON B		1				
016D	459349-9	BUTTON B		1				
016E	459349-9	BUTTON B		1				

017	268271-7	PIN 3		1			
018	233344-5	COMPRESSION SPRING 4		1			
019	422460-0	RUBBER PLATE		1			
020	141B54-1	INDICATION CIRCUIT COMPLETE		1			
021	620E74-1	SWITCH UNIT		1			
022	620E82-2	LED CIRCUIT		1			
023	141H09-2	LED CASE COMPLETE		1			
024	643874-2	TERMINAL		1			
025	8588K4-9	DCL285F SERIAL NO. LABEL		1			
026	632S32-9	LEAD UNIT		1			
027	620L20-6	CONTROLLER		1			
C10	688163-8	LINE FILTER		1			
028	141E55-7	MOTOR COVER R COMPLETE		1			
C10	263002-9	RUBBER PIN 4		4			
029	422723-4	MOTOR COVER SEAL		1			
030	629B87-1	MOTOR ASSEMBLY		1			
031	413645-9	MOTOR COVER F		1			
032	413J77-0	GUARD		1			
033	266429-2	TAPPING SCREW 3X16		4			
034	424804-0	SPONGE SHEET 76-110		1			
035A	183Y69-0	HOUSING SET		1			
035B	183Y53-5	HOUSING SET		1			
035C	183Y53-5	HOUSING SET		1			
035D	183Y70-5	HOUSING SET		1			
035E	183Y70-5	HOUSING SET		1			
C10	263005-3	RUBBER PIN 6		2			
C20	422974-9	SPONGE SHEET		2			
D10		INC. 8,19,36					
036	422460-0	RUBBER PLATE		1			
037	266429-2	TAPPING SCREW 3X16		9			
038	413F33-6	BUTTON C		1			
039	232485-4	COMPRESSION SPRING 5		1			
040A	136587-7	INLET ASS'Y		1			
040B	136585-1	INLET ASS'Y		1			
040C	136585-1	INLET ASS'Y		1			
040D	136586-9	INLET ASS'Y		1			
040E	136586-9	INLET ASS'Y		1			
C10	424094-5	PACKING		1			
D10		INC. 38,39					
A01A	127827-4	NOZZLE ASSEMBLY		1			
A01B	127825-8	NOZZLE ASSEMBLY		1			
A01C	127825-8	NOZZLE ASSEMBLY		1			

A01D	127828-2	NOZZLE ASSEMBLY		1			
A01E	127828-2	NOZZLE ASSEMBLY		1			
C10	268208-4	PIN 3		4			
C20	451410-8	ROLLER		4			
C30	422963-4	WIPER		1			
A02	198745-3	PAPER FILTER SET		1			
A03A	413859-0	SASH NOZZLE		1			
A03B	413770-6	SASH NOZZLE		1			
A03C	413770-6	SASH NOZZLE		1			
A03D	413809-5	SASH NOZZLE		1			
A03E	413809-5	SASH NOZZLE		1			
A04A	459355-4	NOZZLE HOLDER		1			
A04B	459354-6	NOZZLE HOLDER		1			
A04C	459354-6	NOZZLE HOLDER		1			
A04D	459038-6	NOZZLE HOLDER		1			
A04E	459038-6	NOZZLE HOLDER		1			
A05A	459356-2	PIPE		1			
A05B	459353-8	PIPE		1			
A05C	459353-8	PIPE		1			
A05D	458942-6	PIPE		1			
A05E	458942-6	PIPE		1			
A06C	***DC18RC	DC18RC FAST CHARGER		1			
D10		COMPO-PARTS					
A06E	***DC18RC	DC18RC FAST CHARGER		1			
D10		COMPO-PARTS					
A07C	197427-4	BATTERY BL1860B SET		1			
A07E	197427-4	BATTERY BL1860B SET		1			
A08C	450128-8	BATTERY COVER		1			
A08E	450128-8	BATTERY COVER		1			

Please order the parts with part number.

Print Date 2023/2/6