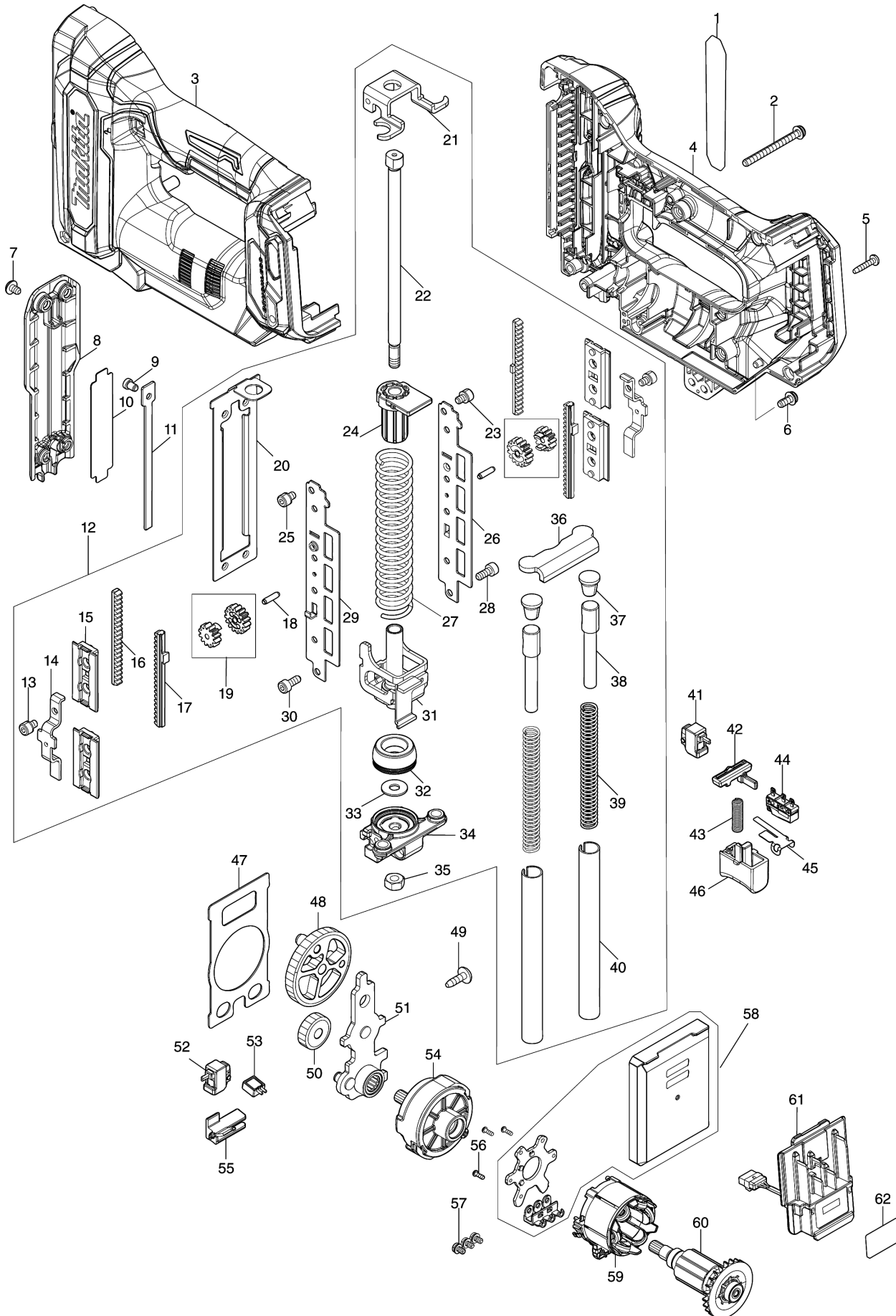
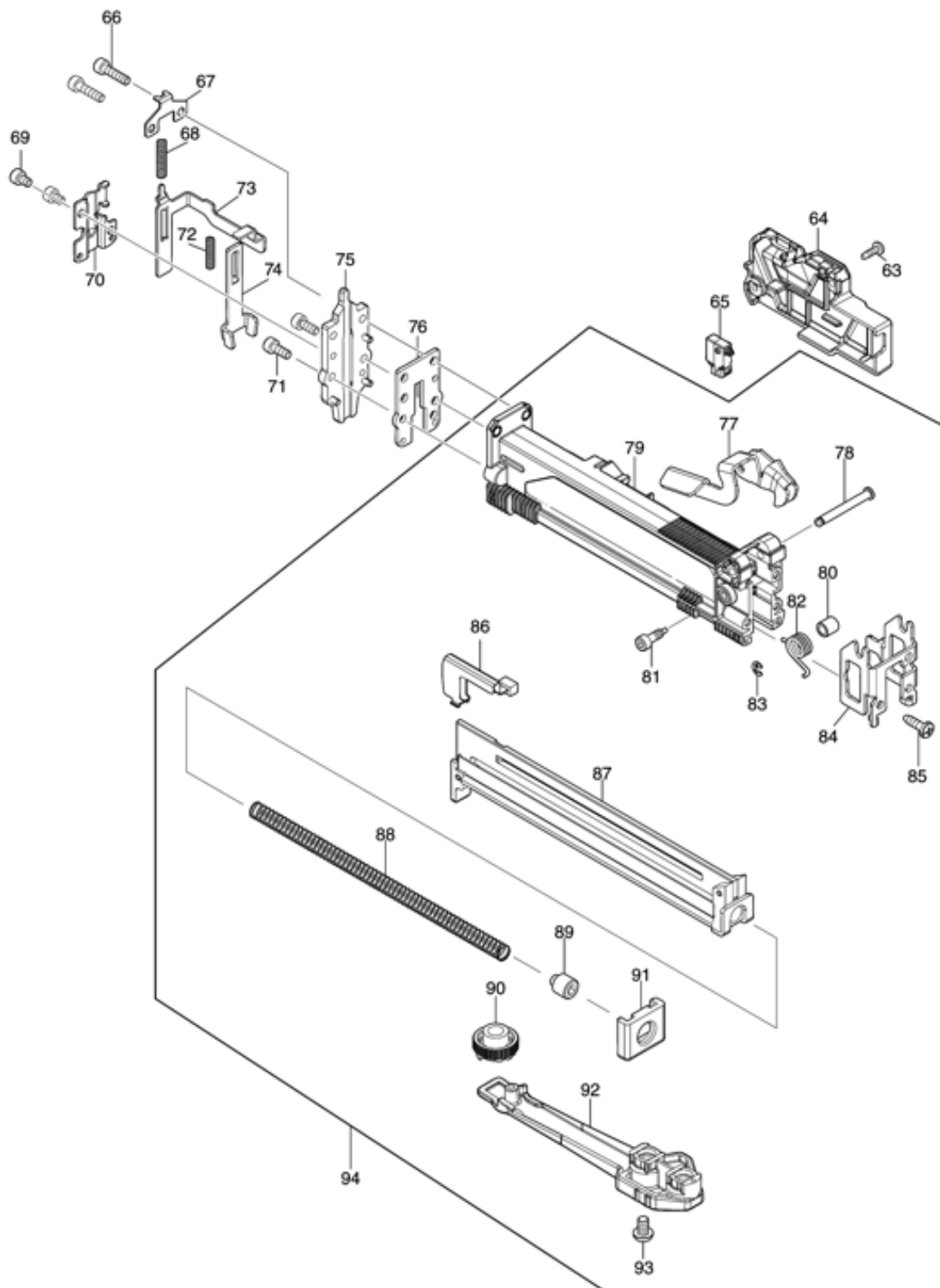


Model No.ST001G CORDLESS STAPLER



Model No.ST001G CORDLESS STAPLER



Model No.ST001G CORDLESS STAPLER

分解圖號	零件編號	品名	交換	數量	New/Old	選擇1	選擇2	註記
001	8584A5-3	ST001G NAME PLATE		1				
002	911173-3	平頭螺絲 M4X45 WR		1				
003	183X27-0	HOUSING SET		1				
C10	263005-3	橡膠銷 6		2				
C20	252126-6	HEX. LOCK NUT M4-7		2				
C30	931102-0	HEX. NUT M4		1				
C40	8007R2-2	XGT LOGO LABEL		1				
D10		INC. 4						
004	183X27-0	HOUSING SET		1				
C10	263005-3	橡膠銷 6		2				
C20	252126-6	HEX. LOCK NUT M4-7		2				
C30	931102-0	HEX. NUT M4		1				
C40	8007R2-2	XGT LOGO LABEL		1				
D10		INC. 3						
005	266130-9	扁頭PT自攻螺絲 3X16		9				
006	911113-1	平頭螺絲 M4X10 WR		2				
007	915101-0	扁頭螺絲 M4X6		4				
008	413N52-0	FRONT COVER		1				
009	256882-0	FLAT FILLISTER HD. PIN 4		1				
010	347528-0	UPPER PLATE		1				
011	347684-6	DRIVER		1				
012	136944-9	COUNTER WEIGHT ASS'Y		1				
D10		INC. 13-40						
013	251566-5	內六角螺絲 M4X6 W		2				
014	347146-4	PINION GUIDE		2				
015	413330-4	COUNTER WEIGHT HOLDER		4				
016	313421-0	COUNTER WEIGHT A		2				
017	310925-3	COUNTER WEIGHT B		2				
018	326902-5	PINION SHAFT		2				
019	136104-3	SPUR GEAR ASSEMBLY		2				
020	347933-1	RAIL		1				
021	347936-5	BOTTOM PLATE		1				
022	327939-5	GUIDE BOLT		1				
023	251566-5	內六角螺絲 M4X6 W		1				
024	313464-2	BOTTOM HOLDER		1				
025	251566-5	內六角螺絲 M4X6 W		1				
026	347938-1	GUIDE RAIL L		1				
027	232822-2	COMPRESSION SPRING 17		1				
028	266167-6	內六角螺絲 M4X10		1				
029	347939-9	GUIDE RAIL R		1				

030	266167-6	內六角螺栓 M4X10	1			
031	347A99-3	HAMMER	1			
032	422A00-0	CUSHION	1			
033	253804-1	平墊圈 6	1			
034	312D79-6	HOLDER	1			
035	252273-3	HEX. NUT M6	1			
036	347A98-5	COUNTER STOPPER	1			
037	422A01-8	COUNTER CUSHION	2			
038	327B22-0	WEIGHT	2			
039	232630-1	COMPRESSION SPRING 7	2			
040	327943-4	GUIDE PIPE	2			
041	140W22-7	SWITCH COMPLETE	1			
042	456799-9	TRIGGER LOCK	1			
043	232370-1	壓縮彈簧 5	1			
044	632S31-1	SWITCH UNIT	1			
045	232672-5	LEAF SPRING	1			
046	413N51-2	TRIGGER	1			
047	347934-9	GEAR PLATE	1			
048	141G69-8	SPUR GEAR 61 COMPLETE	1			
049	266901-4	扁頭自攻螺絲 4X14	1			
050	226892-1	SPUR GEAR 25	1			
051	141G70-3	BASE PLATE COMPLETE	1			
052	140W22-7	SWITCH COMPLETE	1			
053	620507-6	LED 電路	1			
054	122B56-6	GEAR ASSEMBLY	1			
055	413N54-6	LED COVER	1			
056	266490-9	平頭PT自攻螺絲 2X6	3			
057	652069-6	平頭螺絲 M3X6	3			
058	620L52-3	CONTROLLER	1			
059	629B97-8	STATOR	1			
060	619813-4	ROTOR	1			
061	632R99-1	TERMINAL UNIT	1			
062	8584A9-5	ST001G SERIAL NO. LABEL	1			
063	266007-8	扁頭PT自攻螺絲 3X10	2			
064	413N53-8	CONTACT ARM COVER	1			
065	632U38-9	SWITCH UNIT	1			
066	922127-5	內六角螺栓 M4X16	2			
067	347B00-4	SPRING RAIL	1			
068	232608-4	COMPRESSION SPRING 4	1			
069	922102-1	內六角螺栓 M4X6	2			
070	347685-4	CONTACT ARM GUIDE	1			
071	922112-8	內六角螺栓 M4X10	2			
072	232607-6	COMPRESSION SPRING 3	1			
073	347A06-6	CONTACT ARM	1			

074	347686-2	CONTACT TOP	1			
075	140S54-0	DRIVER GUIDE COMPLETE	1			
076	347B67-2	UNDER DRIVER GUIDE	1			
077	347B01-2	LOCK LEVER	1			
078	256956-7	PIN 4	1			
079	413H49-3	MAIN MAGAZINE	1			
080	257881-5	SLEEVE 5	1			
081	265A52-6	HEX.SOCKET HEAD BOLT M4X14	1			
082	232606-8	TORSION SPRING 8	1			
083	961017-7	止動環 (EXT) E-3	1			
084	347681-2	SUPPORTER	1			
085	266192-7	扁頭PT自攻螺絲 4X14	2			
086	141N13-7	PUSHER COMPLETE	1			
087	162845-5	SUB MAGAZINE	1			
088	231396-0	壓縮彈簧 6	1			
089	266197-7	H.S.SET SCREW(DOG POINT)M10X12	1			
090	412771-1	ADJUSTER	1			
091	421637-4	彈匣末端	1			
092	454627-2	DEPTH GUIDE	1			
093	266868-6	H.S.BUTTON HEAD SCREW M5X8	2			
094	136957-0	MAGAZINE ASS'Y	1			
D10		INC. 77-93				
A01	251314-2	大扁頭螺絲 M4X12	1			
A02	346317-0	掛鉤	1			
A03	422959-5	NOSE ADAPTER	1			
A04	821834-6	PLASTIC CASE	1			
C10	162302-3	門鎖	2			
A05	8063V0-8	ST001GZ PLASTIC CASE LABEL	2			
A06	835V71-8	INNER TRAY	1			

Please order the parts with part number.

Print Date 2023/1/18