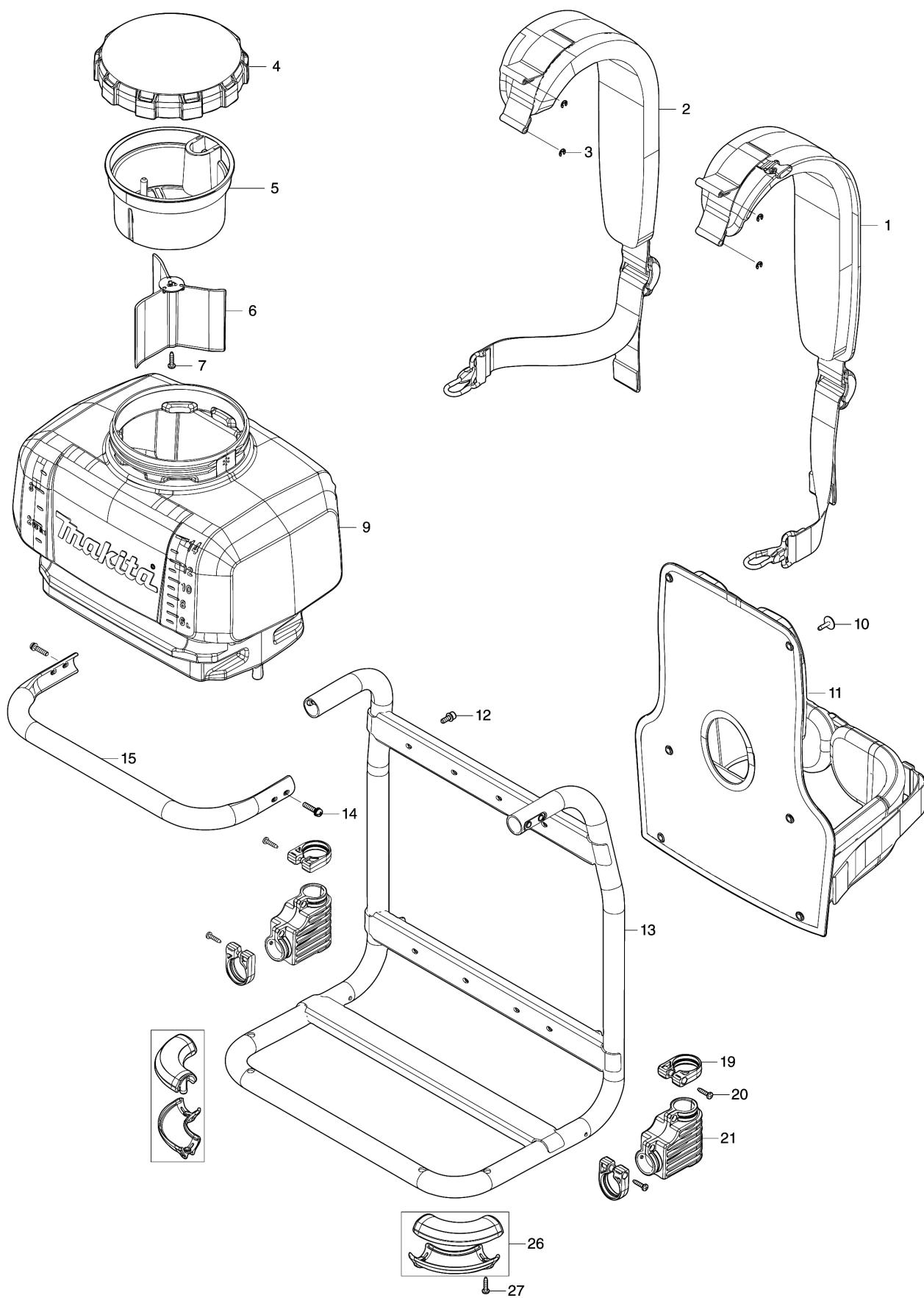
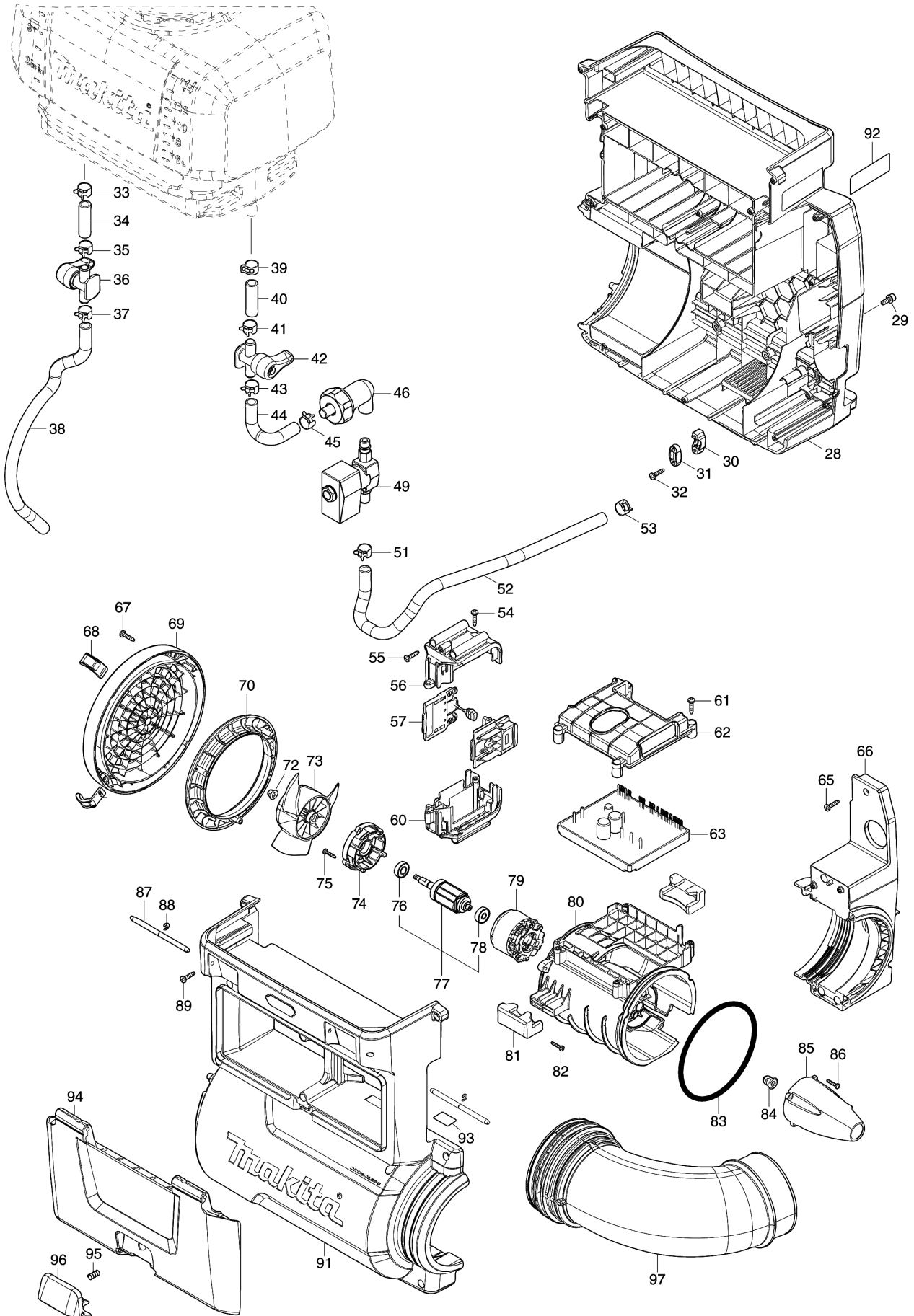


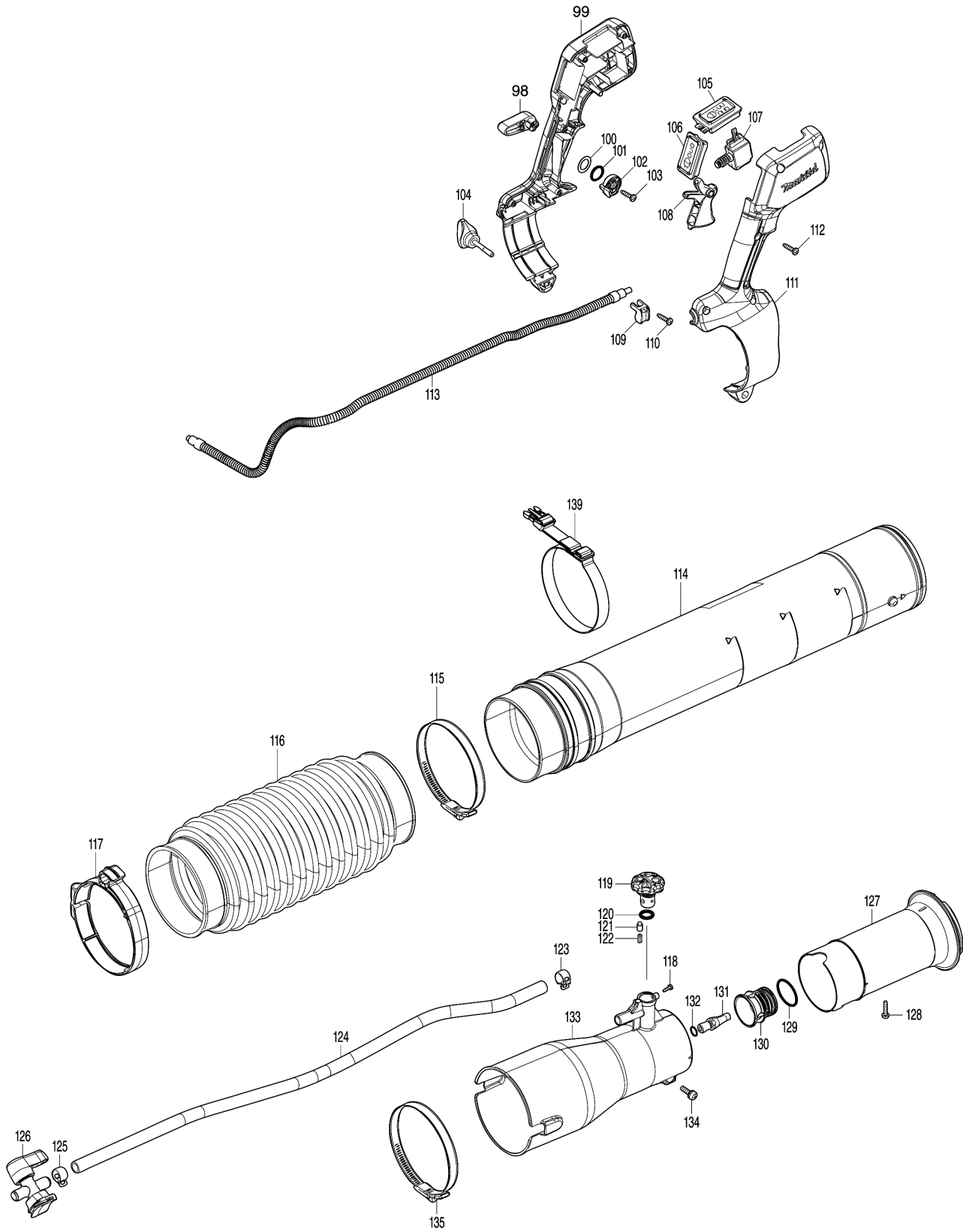
Model No.PM001G CORDLESS BACKPACK MIST BLOWER



Model No.PM001G CORDLESS BACKPACK MIST BLOWER



Model No.PM001G CORDLESS BACKPACK MIST BLOWER



Model No.PM001G CORDLESS BACKPACK MIST BLOWER

| 分解圖號 | 零件編號 | 品名 | 交換 | 數量 | New/Old | 選擇1 | 選擇2 | 註記 |
|------|----------|---------------------------|----|----|---------|-----|-----|----|
| 001 | 162C47-1 | BAND R | | 1 | | | | |
| 002 | 162C46-3 | BAND L | | 1 | | | | |
| 003 | 961011-9 | STOP RING E-4 | | 4 | | | | |
| 004 | 141764-8 | TANK CAP COMPLETE | | 1 | | | | |
| 005 | 413M64-7 | TANK STRAINER | | 1 | | | | |
| 006 | 413M65-5 | STRAINER FIN | | 1 | | | | |
| 007 | 266326-2 | TAPPING SCREW 4X18 | | 1 | | | | |
| 009 | 136980-5 | TANK ASS'Y | | 1 | | | | |
| C10 | 422978-1 | UMBRELLA CHECK VALVE | | 1 | | | | |
| C20 | 256A28-4 | ROD 5 | | 4 | | | | |
| 010 | 252274-1 | TAPPING SCREW 4X18 WITH W | | 6 | | | | |
| 011 | 162B58-0 | CUSHION COMPLETE | | 1 | | | | |
| 012 | 922218-2 | H.S.H.BOLT M5X14 WITH WR | | 8 | | | | |
| 013 | 327A95-7 | PIPE FRAME A | | 1 | | | | |
| 014 | 265A08-9 | PAN HEAD SCREW M5X20 | | 4 | | | | |
| 015 | 327A96-5 | PIPE FRAME B | | 1 | | | | |
| 019 | 413K11-6 | RUBBER CLAMP | | 4 | | | | |
| 020 | 266326-2 | TAPPING SCREW 4X18 | | 4 | | | | |
| 021 | 422977-3 | FOOT HOUSING RUBBER | | 2 | | | | |
| 026 | 183X85-6 | FOOT HOUSING SET | | 2 | | | | |
| 027 | 266326-2 | TAPPING SCREW 4X18 | | 4 | | | | |
| 028 | 141M69-4 | LOWER HOUSING COMPLETE B | | 1 | | | | |
| C10 | 8066X9-2 | CAUTION LABEL | | 1 | | | | |
| 029 | 922218-2 | H.S.H.BOLT M5X14 WITH WR | | 2 | | | | |
| 030 | 687051-6 | STRAIN RELIEF | | 1 | | | | |
| 031 | 687124-5 | STRAIN RELIEF | | 1 | | | | |
| 032 | 266326-2 | TAPPING SCREW 4X18 | | 2 | | | | |
| 033 | 282023-2 | HOSE CLAMP 14 | | 1 | | | | |
| 034 | 422981-2 | TUBE 10-45 | | 1 | | | | |
| 035 | 282023-2 | HOSE CLAMP 14 | | 1 | | | | |
| 036 | 122D52-6 | COCK ASSEMBLY A | | 1 | | | | |
| C10 | 266326-2 | TAPPING SCREW 4X18 | | 1 | | | | |
| C20 | 457675-0 | COCK LEVER | | 1 | | | | |
| 037 | 282023-2 | HOSE CLAMP 14 | | 1 | | | | |
| 038 | 422982-0 | TUBE 10-370 | | 1 | | | | |
| 039 | 282023-2 | HOSE CLAMP 14 | | 1 | | | | |
| 040 | 422981-2 | TUBE 10-45 | | 1 | | | | |
| 041 | 282023-2 | HOSE CLAMP 14 | | 1 | | | | |
| 042 | 122D52-6 | COCK ASSEMBLY A | | 1 | | | | |

| | | | | | | | |
|-----|----------|----------------------------|--|---|--|--|--|
| C10 | 266326-2 | TAPPING SCREW 4X18 | | 1 | | | |
| C20 | 457675-0 | COCK LEVER | | 1 | | | |
| 043 | 282023-2 | HOSE CLAMP 14 | | 1 | | | |
| 044 | 422980-4 | TUBE 10-100 | | 1 | | | |
| 045 | 282023-2 | HOSE CLAMP 14 | | 1 | | | |
| 046 | 122E16-6 | STRAINER ASSEMBLY | | 1 | | | |
| C10 | 413M62-1 | STRAINER | | 1 | | | |
| 049 | 136985-5 | SOLENOID VALVE ASS'Y | | 1 | | | |
| C10 | 213063-9 | O RING 10 | | 1 | | | |
| 051 | 282023-2 | HOSE CLAMP 14 | | 1 | | | |
| 052 | 422983-8 | TUBE 10-500 | | 1 | | | |
| 053 | 282023-2 | HOSE CLAMP 14 | | 1 | | | |
| 054 | 266326-2 | TAPPING SCREW 4X18 | | 2 | | | |
| 055 | 266326-2 | TAPPING SCREW 4X18 | | 4 | | | |
| 056 | 183Y74-7 | TERMINAL BOX SET | | 1 | | | |
| C10 | 263005-3 | RUBBER PIN 6 | | 4 | | | |
| D10 | | INC. 60 | | | | | |
| 057 | 632P65-6 | TERMINAL UNIT | | 2 | | | |
| 060 | 183Y74-7 | TERMINAL BOX SET | | 1 | | | |
| C10 | 263005-3 | RUBBER PIN 6 | | 4 | | | |
| D10 | | INC. 56 | | | | | |
| 061 | 266326-2 | TAPPING SCREW 4X18 | | 4 | | | |
| 062 | 413M52-4 | CONTROLLER CASE COVER | | 1 | | | |
| 063 | 620K76-3 | CONTROLLER | | 1 | | | |
| 065 | 266326-2 | TAPPING SCREW 4X18 | | 4 | | | |
| 066 | 413M43-5 | ELBOW SUPPORT | | 1 | | | |
| 067 | 266326-2 | TAPPING SCREW 4X18 | | 4 | | | |
| 068 | 413M58-2 | CLAMP | | 2 | | | |
| 069 | 413G61-7 | REAR COVER | | 1 | | | |
| 070 | 413G72-2 | FAN GUIDE | | 1 | | | |
| 072 | 252286-4 | COLLARED HEX.LOCK NUT M5-8 | | 1 | | | |
| 073 | 240177-1 | FAN 110 | | 1 | | | |
| 074 | 413G67-5 | MOTOR HOUSING COVER | | 1 | | | |
| 075 | 266130-9 | TAPPING SCREW BIND PT 3X16 | | 4 | | | |
| 076 | 210040-2 | BALL BEARING 698LLU | | 1 | | | |
| 077 | 519639-3 | ROTOR ASS'Y | | 1 | | | |
| D10 | | INC. 76,78 | | | | | |
| 078 | 210022-4 | BALL BEARING 626DDW | | 1 | | | |
| 079 | 629C09-7 | STATOR | | 1 | | | |
| 080 | 413M44-3 | MOTOR HOUSING | | 1 | | | |
| 081 | 422877-7 | RUBBER CUSHION | | 2 | | | |
| | | TAPPING SCREW BIND PT | | | | | |

| | | | | | | | |
|-----|----------|--------------------------------|--|----|--|--|--|
| 082 | 266130-9 | 3X16 | | 3 | | | |
| 083 | 424721-4 | RUBBER RING 115 | | 1 | | | |
| 084 | 422879-3 | GROMMET | | 1 | | | |
| 085 | 413G64-1 | CAP | | 1 | | | |
| 086 | 266130-9 | TAPPING SCREW BIND PT 3X16 | | 3 | | | |
| 087 | 256938-9 | ROD 5 | | 2 | | | |
| 088 | 961011-9 | STOP RING E-4 | | 2 | | | |
| 089 | 266326-2 | TAPPING SCREW 4X18 | | 12 | | | |
| 091 | 136912-2 | UPPER HOUSING ASSEMBLY | | 1 | | | |
| C10 | 8030S0-0 | XGT LOGO LABEL | | 1 | | | |
| 092 | 8587F3-0 | PM001G NAME PLATE | | 1 | | | |
| 093 | 8587G1-1 | PM001G SERIAL NO. LABEL | | 1 | | | |
| 094 | 413M54-0 | BATTERY COVER | | 1 | | | |
| 095 | 231240-1 | COMPRESSION SPRING 7 | | 1 | | | |
| 096 | 413M55-8 | LOCK LEVER | | 1 | | | |
| 097 | 413M51-6 | ELBOW | | 1 | | | |
| 098 | 413G66-7 | CONTROL LEVER | | 1 | | | |
| 099 | 183X86-4 | LEVER CASE SET | | 1 | | | |
| C10 | 252103-8 | HEX. LOCK NUT M5-8 | | 1 | | | |
| D10 | | INC. 111 | | | | | |
| 100 | 253798-0 | FLAT WASHER 13 | | 1 | | | |
| 101 | 213154-6 | O RING 14 | | 1 | | | |
| 102 | 412754-1 | LINK | | 1 | | | |
| 103 | 266326-2 | TAPPING SCREW 4X18 | | 1 | | | |
| 104 | 265C61-7 | THUMB SCREW M5X35 | | 1 | | | |
| 105 | 620L36-1 | INDICATION CIRCUIT COMPLETE | | 1 | | | |
| 106 | 620L35-3 | SWITCH CIRCUIT COMPLETE | | 1 | | | |
| C10 | 136982-1 | SWITCH PLATE ASS'Y | | 1 | | | |
| C20 | 266490-9 | TAPPING SCREW PT 2X6 | | 3 | | | |
| 107 | 651492-2 | SWITCH C3JR-1A-PAXD3 | | 1 | | | |
| 108 | 413G68-3 | SWITCH LEVER | | 1 | | | |
| 109 | 687260-7 | STRAIN RELIEF | | 1 | | | |
| 110 | 266326-2 | TAPPING SCREW 4X18 | | 1 | | | |
| 111 | 183X86-4 | LEVER CASE SET | | 1 | | | |
| C10 | 252103-8 | HEX. LOCK NUT M5-8 | | 1 | | | |
| D10 | | INC. 99 | | | | | |
| 112 | 266326-2 | TAPPING SCREW 4X18 | | 6 | | | |
| 113 | 699221-5 | POWER SUPPLY CORD UNIT | | 1 | | | |
| 114 | 162B56-4 | SWIVEL PIPE COMPLETE | | 1 | | | |
| 115 | 281040-9 | HOSE CLAMP 110 | | 1 | | | |

| | | | | | | | | |
|------|-----------|---------------------------------|--|---|--|--|--|--|
| 116 | 413M50-8 | FLEXIBLE PIPE 100 | | 1 | | | | |
| 117 | 122F35-8 | HOSE CLAMP 110 ASSEMBLY | | 1 | | | | |
| 118 | 266007-8 | TAPPING SCREW BIND PT 3X10 | | 1 | | | | |
| 119 | 453505-3 | NOZZLE CAP | | 1 | | | | |
| 120 | 213686-3 | O-RING 12 | | 1 | | | | |
| 121 | 268288-0 | PIN 5.5 | | 1 | | | | |
| 122 | 234244-2 | COMPRESSION SPRING 3 | | 1 | | | | |
| 123 | 282023-2 | HOSE CLAMP 14 | | 1 | | | | |
| 124 | 422984-6 | TUBE 10-750 | | 1 | | | | |
| 125 | 282023-2 | HOSE CLAMP 14 | | 1 | | | | |
| 126 | 122D53-4 | COCK ASSEMBLY B | | 1 | | | | |
| C10 | 266326-2 | TAPPING SCREW 4X18 | | 1 | | | | |
| C20 | 457675-0 | COCK LEVER | | 1 | | | | |
| 127 | 413M66-3 | TOP ADAPTER | | 1 | | | | |
| 128 | 266045-0 | TAPPING SCREW 4X20 | | 1 | | | | |
| 129 | 213437-4 | O RING 28 | | 1 | | | | |
| 130 | 413M59-0 | SLEEVE 23 | | 1 | | | | |
| 131 | 327A93-1 | NOZZLE 4.5 | | 1 | | | | |
| 132 | 213647-3 | O-RING 9 | | 1 | | | | |
| 133 | 141M72-5 | NOZZLE ADAPTER COMPLETE | | 1 | | | | |
| C10 | 898280-8 | INDICATION LABEL | | 1 | | | | |
| 134 | 911228-4 | PAN HEAD SCREW M5X18 | | 1 | | | | |
| 135 | 281040-9 | HOSE CLAMP 110 | | 1 | | | | |
| 139 | 162B60-3 | BAND B COMPLETE | | 1 | | | | |
| A01 | 327C46-2 | NOZZLE 0.5 | | 1 | | | | |
| A02 | 453506-1 | DIFFUSION COVER | | 1 | | | | |
| A03 | 781006-4 | WRENCH 13 | | 1 | | | | |
| A04B | 412393-7 | BATTERY COVER | | 2 | | | | |
| A05B | ***DC40RB | DC40RB TWO PORT FAST CHARGER | | 1 | | | | |
| D10 | | COMPO-PARTS | | | | | | |
| A06B | 191X69-0 | BATTERY BL4080F SET | | 2 | | | | |

Please order the parts with part number.

Print Date 2023/1/18