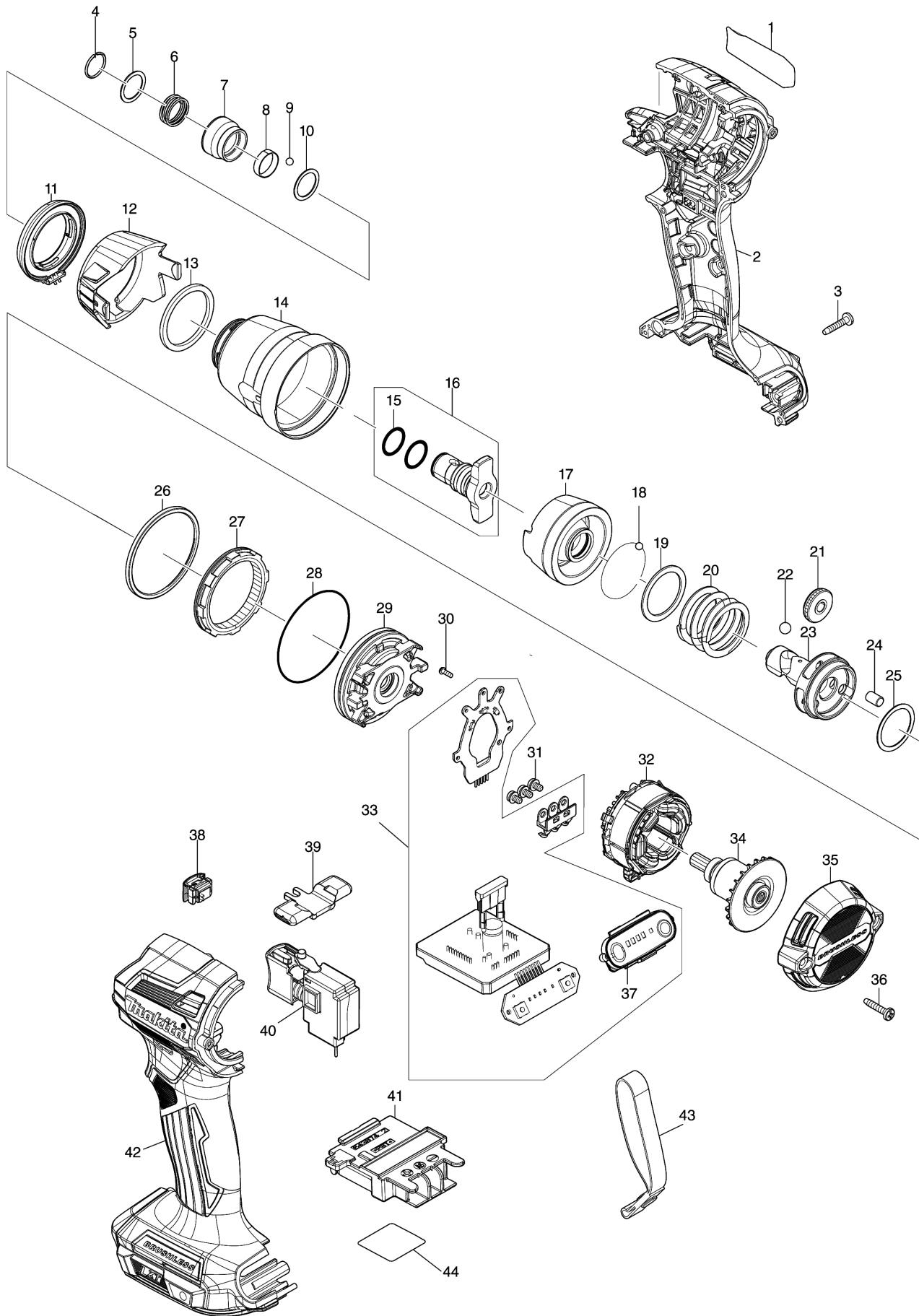


# Model No.DTD173



## Model No.DTD173

分解圖號	零件編號	品名	交換	數量	New/Old	選擇1	選擇2	註記
001	8587H1-8	DTD173 NAME PLATE		1				
002A	183X60-2	HOUSING SET		1				
002B	183X61-0	HOUSING SET		1				
002C	183X64-4	HOUSING SET		1				
002D	183X60-2	HOUSING SET		1				
002E	183X61-0	HOUSING SET		1				
002F	183X64-4	HOUSING SET		1				
C10	263005-3	RUBBER PIN 6		2				
C20	252126-6	HEX. LOCK NUT M4-7		2				
D10		INC. 42						
003	266130-9	TAPPING SCREW BIND PT 3X16		7				
004	231952-6	RING SPRING 12		1				
005	253575-0	FLAT WASHER 13		1				
006	232592-3	COMPRESSION SPRING 14		1				
007	327B23-8	BIT SLEEVE		1				
008	232800-2	LEAF SPRING		1				
009	216001-0	STEEL BALL 3.5		2				
010	253575-0	FLAT WASHER 13		1				
011	620L50-7	LED CIRCUIT		1				
012	413P70-0	HAMMER CASE COVER		1				
013	422A14-9	SPONGE SHEET		1				
014	141P11-3	HAMMER CASE COMPLETE		1				
015	213166-9	O RING 12.5		2				
016	136888-3	ANVIL N ASSEMBLY		1				
D10		INC. 15						
017	327B72-5	HAMMER		1				
018	216001-0	STEEL BALL 3.5		24				
019	267175-0	FLAT WASHER 24		1				
020	232459-5	COMPRESSION SPRING 24B		1				
021	227350-0	SPUR GEAR 22		3				
022	216011-7	STEEL BALL 5.6		2				
023	327B71-7	SPINDLE		1				
024	268311-1	PIN 5		3				
025	267283-7	FLAT WASHER 21		1				
026	422688-0	SEAL		1				
027	227882-7	INTERNAL GEAR 51		1				
028	213623-7	O RING 46		1				
029	141P12-1	BEARING BOX COMPLETE		1				
030	266490-9	TAPPING SCREW PT 2X6		3				
031	652069-6	FLAT HEAD SCREW M3X6		3				

032	629217-2	STATOR	1				
033	539261-0	CONTROLLER ASSEMBLY	1				
D10		INC. 37					
034	619678-4	ROTOR	1				
035A	413P71-8	REAR COVER	1				
035B	413P84-9	REAR COVER	1				
035C	413P86-5	REAR COVER	1				
035D	413P71-8	REAR COVER	1				
035E	413P84-9	REAR COVER	1				
035F	413P86-5	REAR COVER	1				
036	266130-9	TAPPING SCREW BIND PT 3X16	2				
037	539263-6	SWITCH PLATE ASSEMBLY	1				
038	632U37-1	SWITCH UNIT	1				
039	413P74-2	F/R CHANGE LEVER	1				
040	651442-7	SWITCH C3JR-1A-1	1				
041	643874-2	TERMINAL	1				
042A	183X60-2	HOUSING SET	1				
042B	183X61-0	HOUSING SET	1				
042C	183X64-4	HOUSING SET	1				
042D	183X60-2	HOUSING SET	1				
042E	183X61-0	HOUSING SET	1				
042F	183X64-4	HOUSING SET	1				
C10	263005-3	RUBBER PIN 6	2				
C20	252126-6	HEX. LOCK NUT M4-7	2				
D10		INC. 2					
043	163400-6	HANDSTRAP	1				
044	8587H5-0	DTD173 SERIAL NO. LABEL	1				
A01	266622-8	+ TRUSS HEAD SCREW M4X12	1				
A02	346317-0	HOOK	1				
A03	784203-1	PHILLIPS BIT 2-65	1				
A04D	450128-8	BATTERY COVER	2				
A04E	450128-8	BATTERY COVER	2				
A04F	450128-8	BATTERY COVER	2				
A05D	***DC18RC	DC18RC FAST CHARGER	1				
D10		COMPO-PARTS					
A05E	***DC18RC	DC18RC FAST CHARGER	1				
D10		COMPO-PARTS					
A05F	***DC18RC	DC18RC FAST CHARGER	1				
D10		COMPO-PARTS					
A06D	197427-4	BATTERY BL1860B SET	2				
A06E	197427-4	BATTERY BL1860B SET	2				
A06F	197427-4	BATTERY BL1860B SET	2				
A07D	821914-8	PLASTIC CASE	1				

C10	413728-5	LATCH		1				
C20	458362-4	LATCH		2				
A07E	821914-8	PLASTIC CASE		1				
C10	413728-5	LATCH		1				
C20	458362-4	LATCH		2				
A07F	821914-8	PLASTIC CASE		1				
C10	413728-5	LATCH		1				
C20	458362-4	LATCH		2				
A08D	8067J0-8	DTD173RGE PLASTIC CASE LABEL		2				
A08E	8067J1-6	DTD173RGE1 PLASTIC CASE LABEL		2				
A08F	8067J2-4	DTD173RGE2 PLASTIC CASE LABEL		2				

Please order the parts with part number.

Print Date 2023/1/3