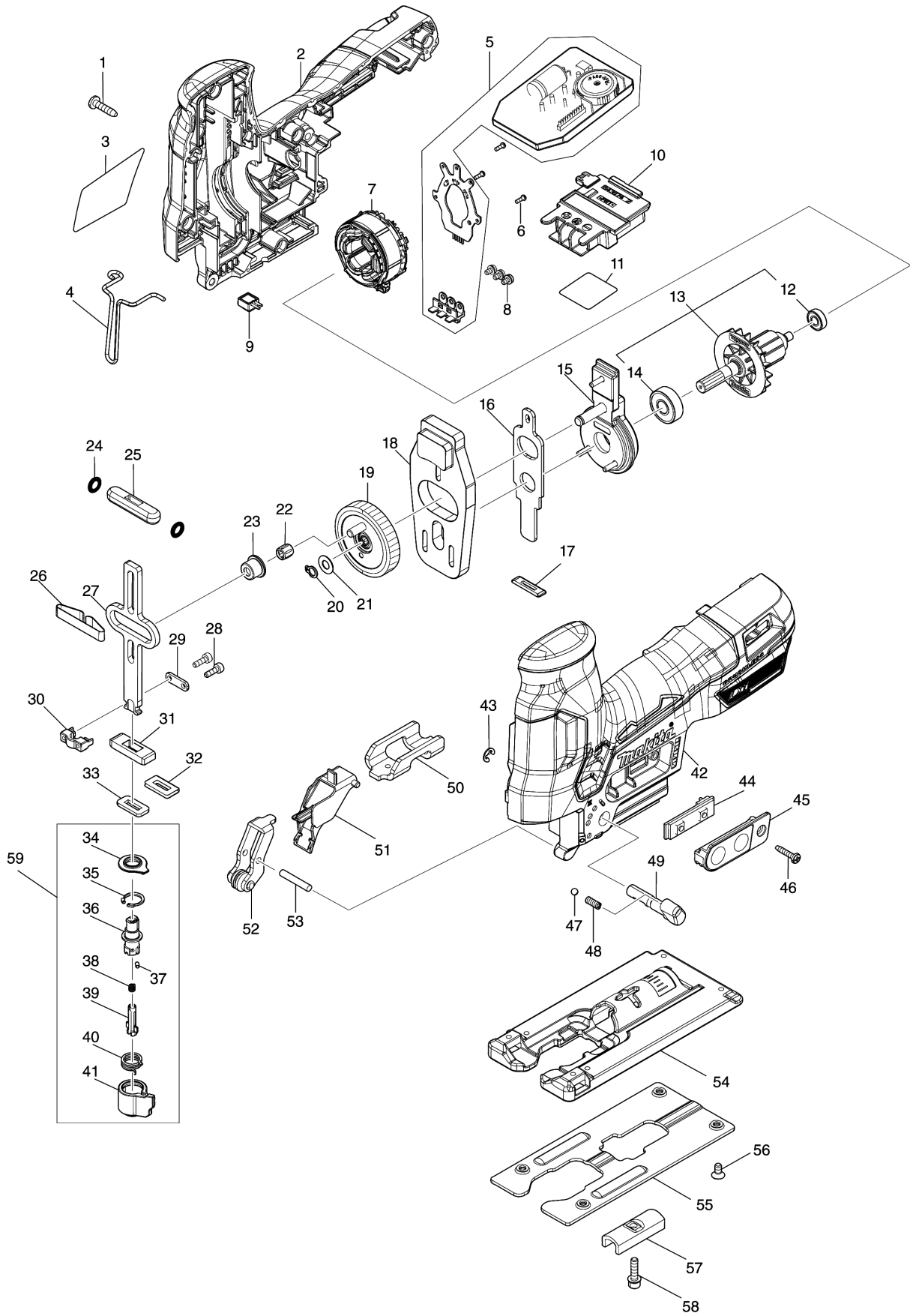


Model No. DJV185 CORDLESS JIG SAW



Model No.DJV185 CORDLESS JIG SAW

分解圖號	零件編號	品名	交換	數量	New/Old	選擇1	選擇2	註記
001	266326-2	TAPPING SCREW 4X18		9				
002	183X94-5	HOUSING SET		1				
C10	263005-3	RUBBER PIN 6		2				
D10		INC. 42						
003	8589C8-1	DJV185 NAME PLATE		1				
004	323748-0	SAFETY WIRE		1				
005	620L44-2	CONTROLLER		1				
006	266490-9	TAPPING SCREW PT 2X6		3				
007	629B14-8	STATOR		1				
008	652069-6	FLAT HEAD SCREW M3X6		3				
009	620712-5	LED CIRCUIT		1				
010	643874-2	TERMINAL		1				
011	8589D9-6	DJV185 SERIAL NO. LABEL		1				
012	210039-7	BALL BEARING 695DDW		1				
013	519824-8	ROTOR ASSEMBLY		1				
D10		INC. 12,14						
014	210005-4	BALL BEARING 608DDW		1				
015	144820-3	BEARING CASE COMPLETE		1				
016	347249-4	PUSH PLATE		1				
017	416703-0	DUST SEAL		1				
018	310812-6	BALANCE PLATE		1				
019	141H68-6	GEAR COMPLETE		1				
020	961002-0	RETAINING RING S-6		1				
021	253715-0	FLAT WASHER 6		1				
022	212265-4	NEEDLE CAGE 508		1				
023	257872-6	SHOULDER SLEEVE 8		1				
024	213038-8	O RING 5		2				
025	313082-6	SLIDER GUIDE		1				
026	232183-0	LEAF SPRING		1				
027	347966-6	SLIDER		1				
028	266177-3	HEX. SOCKET HEAD BOLT M3X10		2				
029	347247-8	PLATE		1				
030	310811-8	BLADE CLAMP		1				
031	313086-8	SLIDER SUPPORT		1				
032	344686-3	SEAL PLATE		1				
033	423307-1	POLYURETHANE SPONGE SEAL		1				
034	424437-1	DUST COVER		1				
035	962063-3	RETAINING RING R-13		1				
036	310810-0	BLADE GUIDE		1				
037	256528-8	PIN 2		1				

038	233314-4	COMPRESSION SPRING 4	1				
039	310485-5	LOCK PIN	1				
040	233591-8	TORSION SPRING 10	1				
041	452850-3	INSERT HOLDER	1				
042	183X94-5	HOUSING SET	1				
C10	263005-3	RUBBER PIN 6	2				
D10		INC. 2					
043	961011-9	STOP RING E-4	1				
044	620L34-5	SWITCH UNIT	1				
045	144628-5	SWITCH PLATE COMPLETE	1				
046	266130-9	TAPPING SCREW BIND PT 3X16	1				
047	216008-6	STEEL BALL 4	1				
048	233151-6	COMPRESSION SPRING 4	1				
049	271441-9	LEVER 19	1				
050	347251-7	HOLDER	1				
051	457866-3	RETAINER GUIDE	1				
052	144629-3	RETAINER COMPLETE	1				
053	256206-0	PIN 4	1				
054	312C90-2	BASE	1				
055	345441-6	BASE PLATE	1				
056	912107-9	COUNTERSUNK HEAD SCREW M4X8	4				
057	344685-5	CLAMP PLATE	1				
058	922128-3	HEX. SOCKET HEAD BOLT M4X16	1				
059	135941-2	BLADE GUIDE ASS'Y	1				
D10		INC. 34-41					
A01	783201-2	HEX. WRENCH 3	1				
A02	413F05-1	DUST NOZZLE	1				
A03	457867-1	COVER PLATE	1				
A04	458191-5	DUST COVER	1				
A05	A-85737	JIGSAW BLADE NO.B22	1				
A06	A-85628	JIGSAW BLADE NO.B10	1				
A07	A-85793	JIGSAW BLADE NO.BR13	1				

Please order the parts with part number.

Print Date 2023/3/17