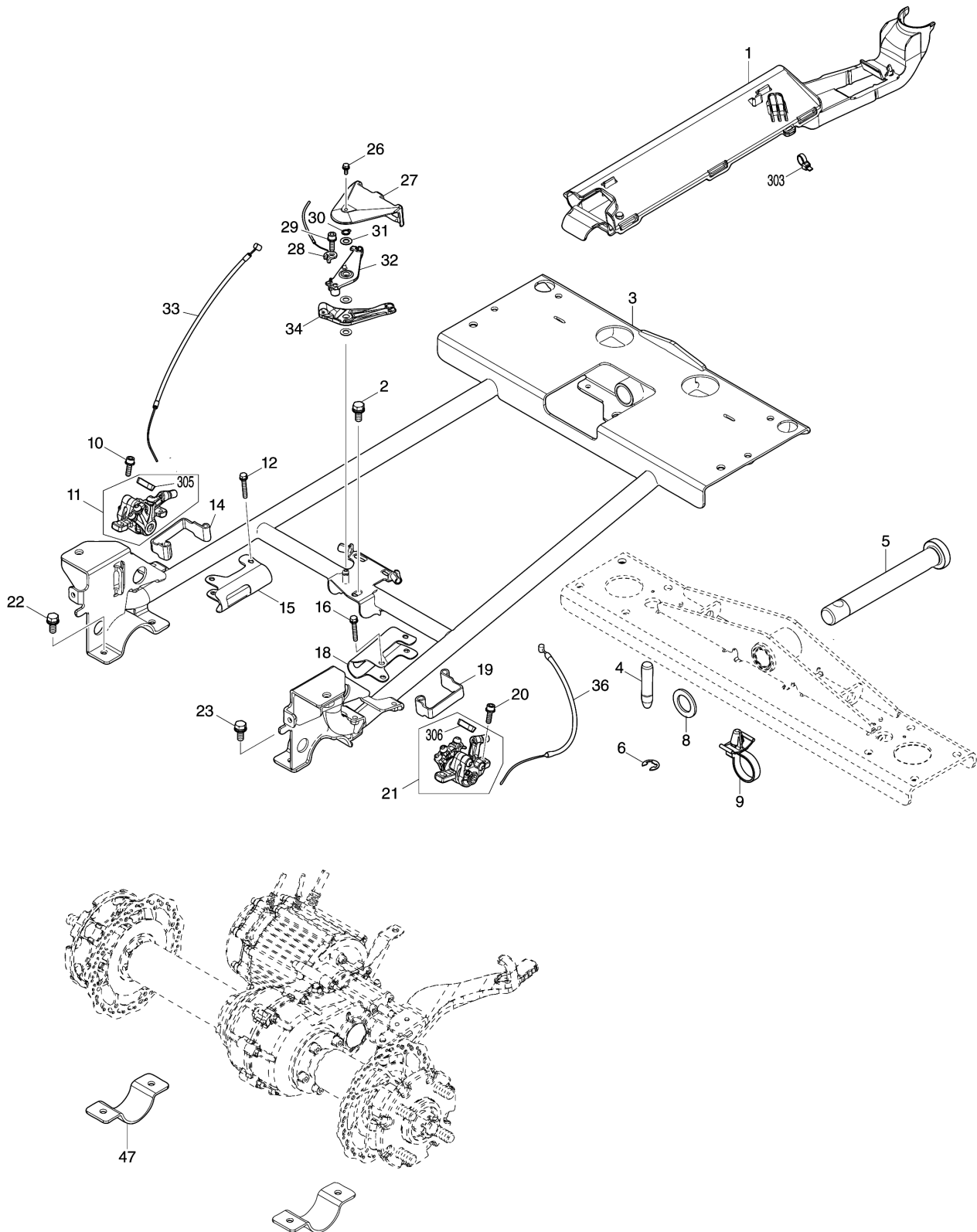
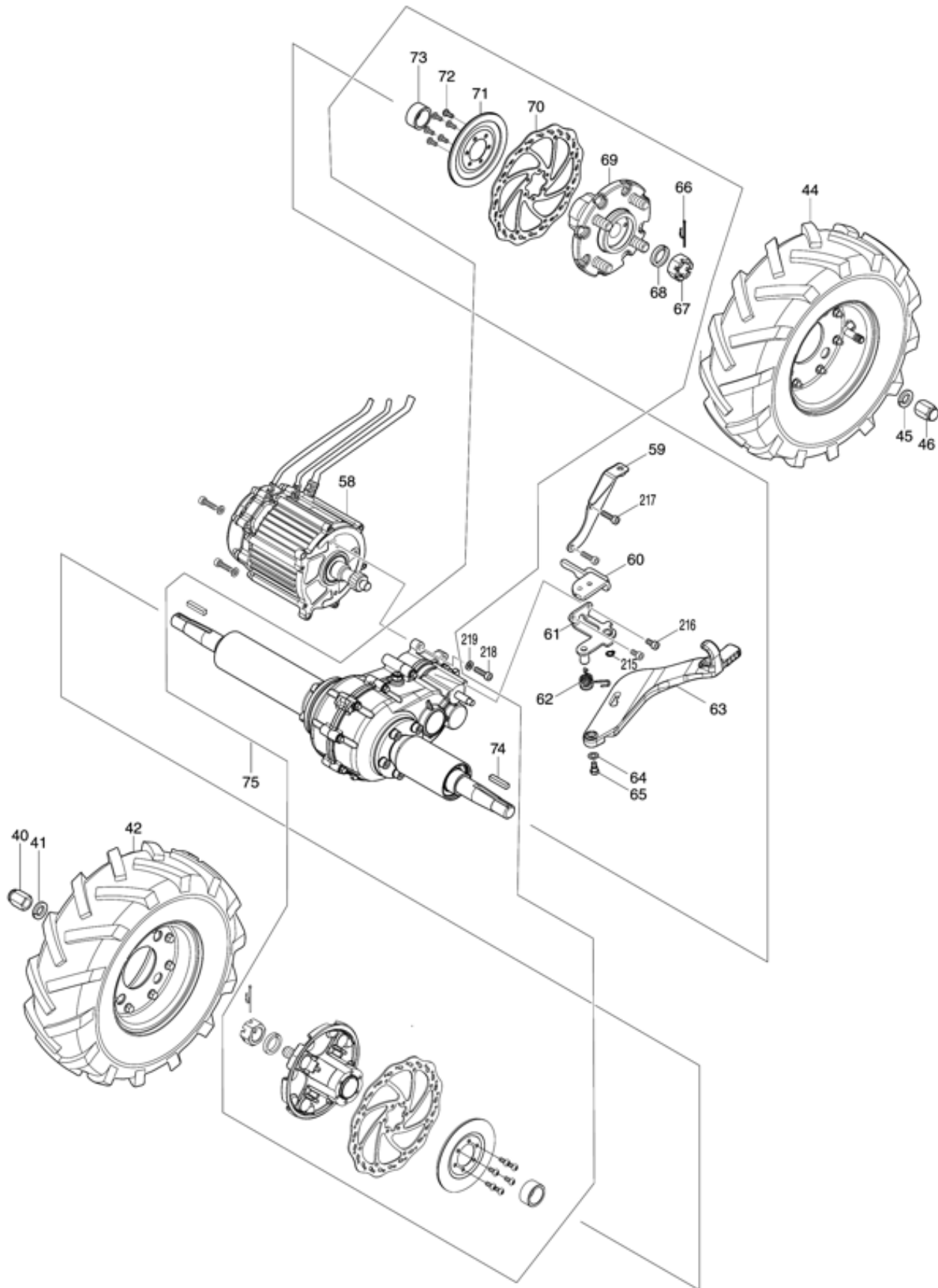


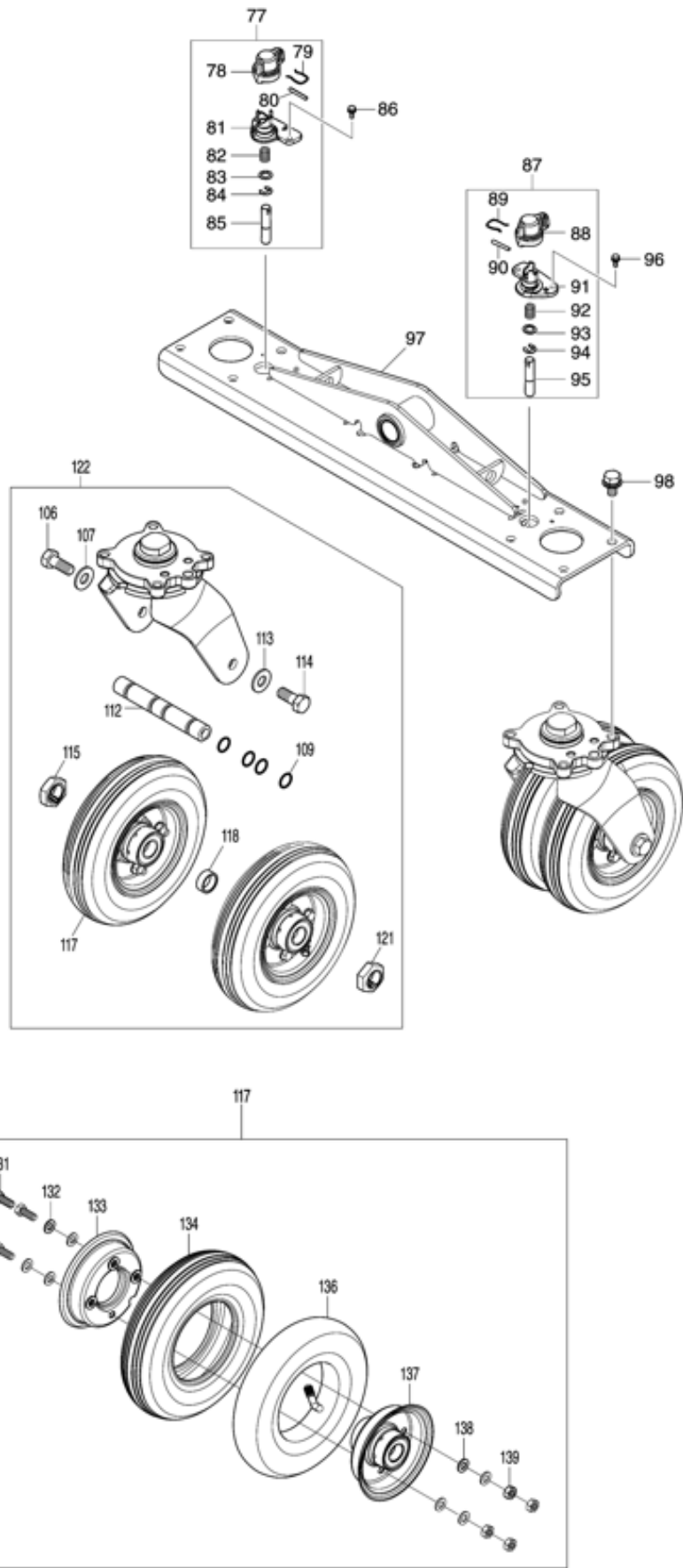
# Model No.DCU604 BATTERY POWERED WHEELBARROW



Model No.DCU604 BATTERY POWERED WHEELBARROW

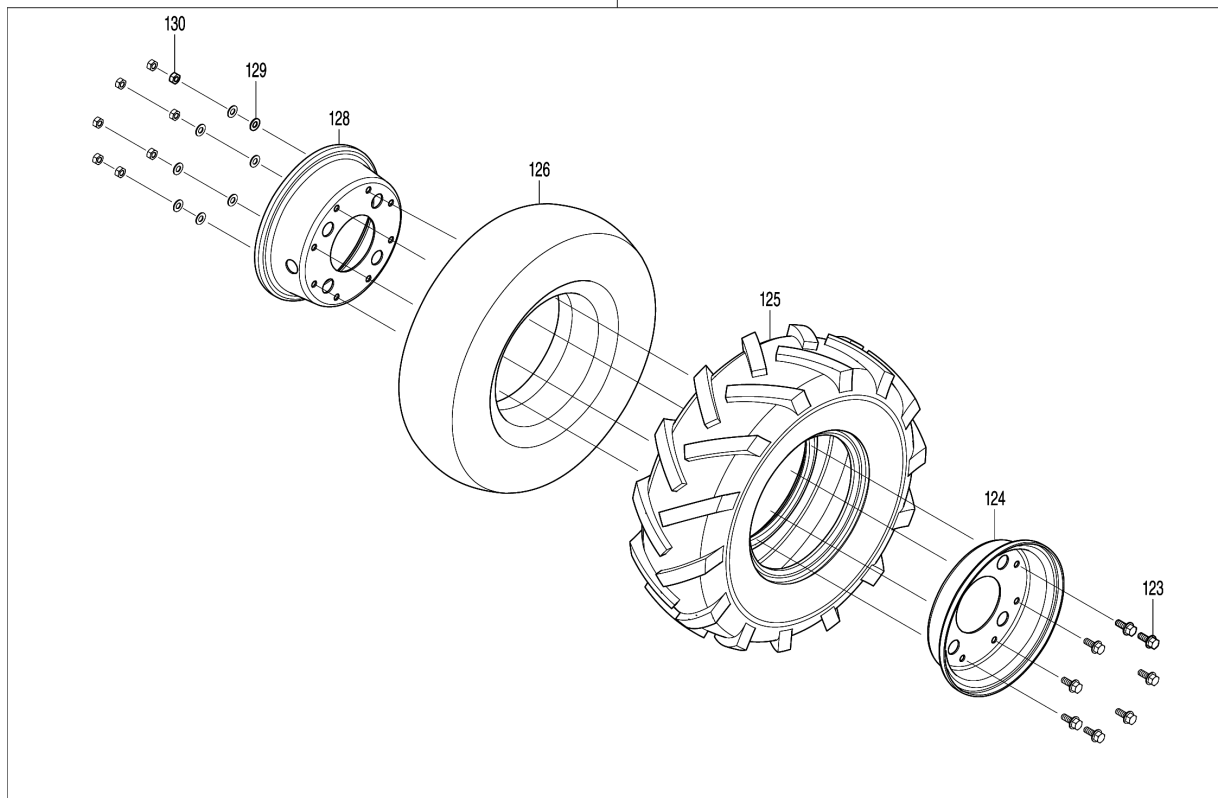


# Model No.DCU604 BATTERY POWERED WHEELBARROW

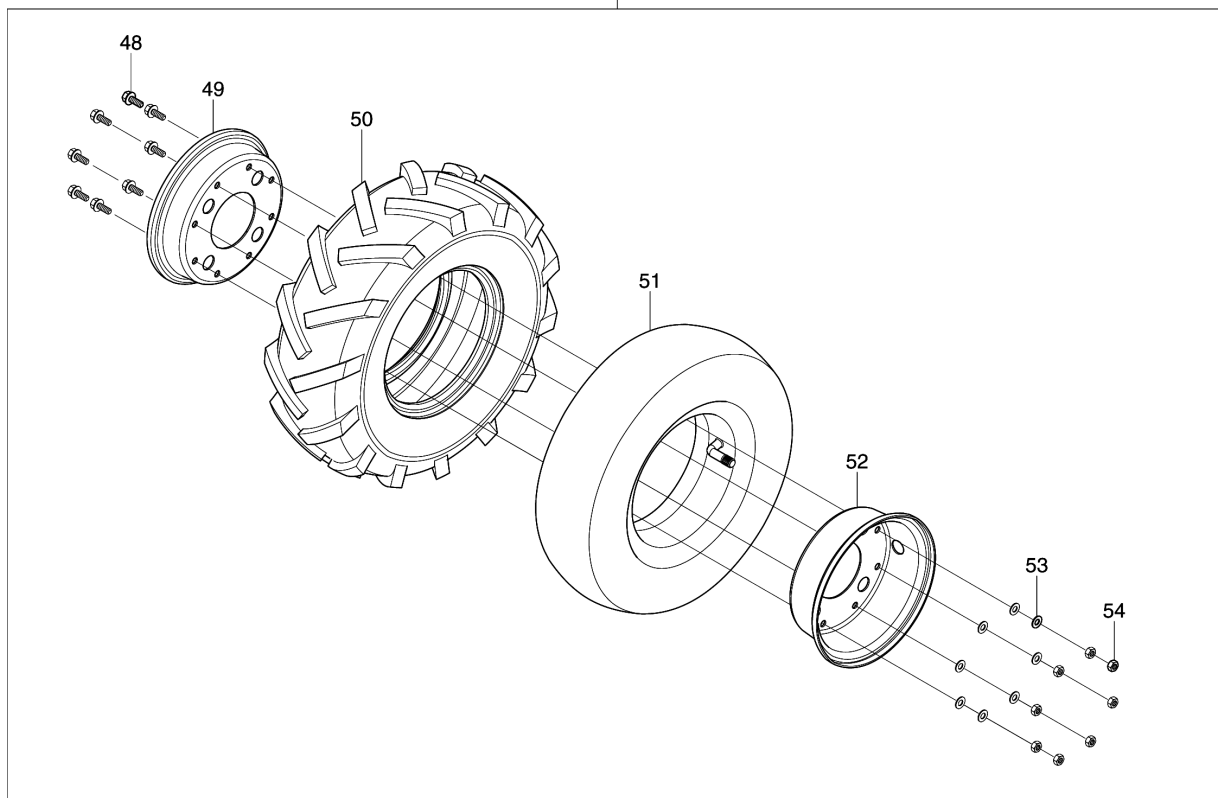


# Model No.DCU604 BATTERY POWERED WHEELBARROW

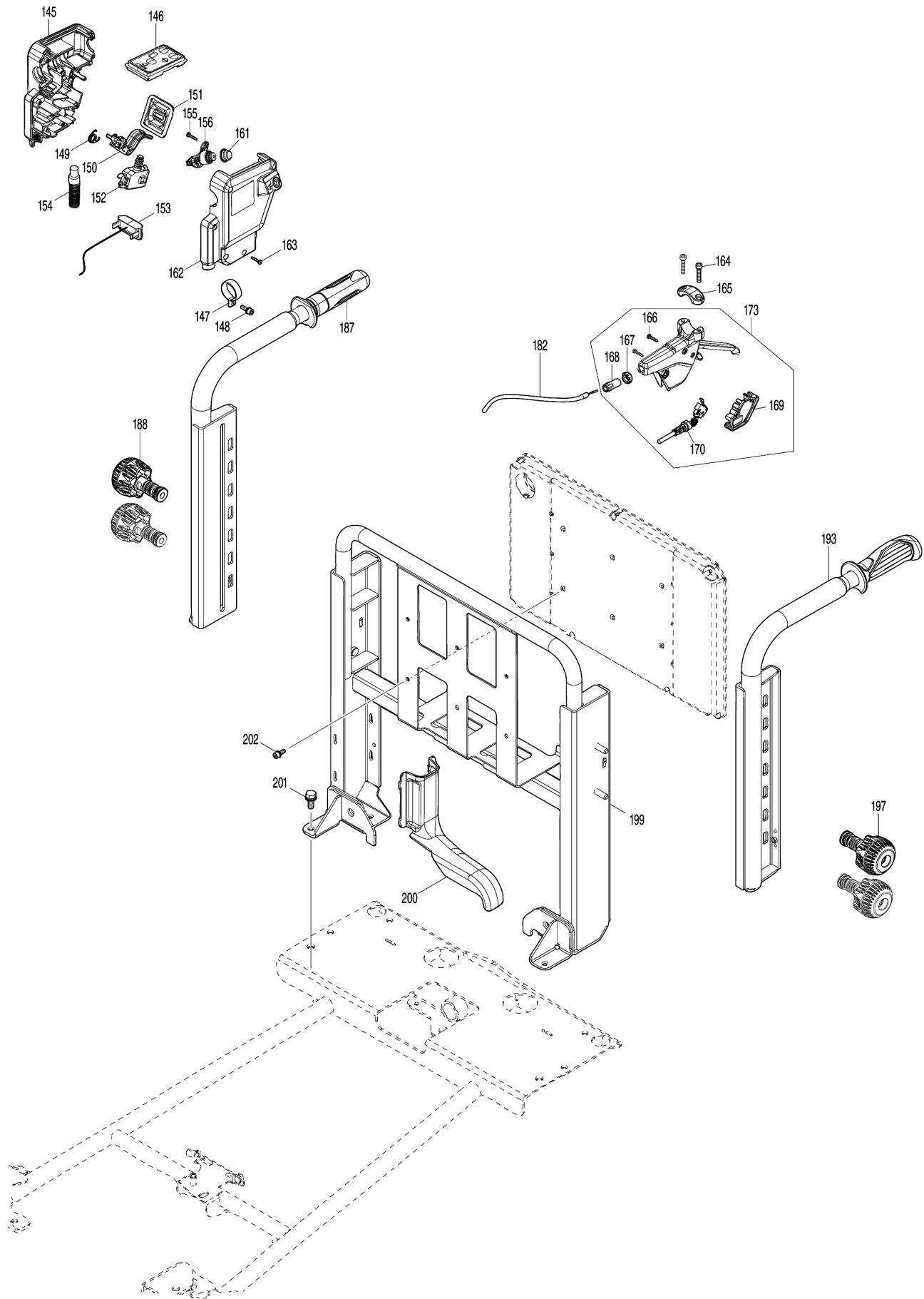
42



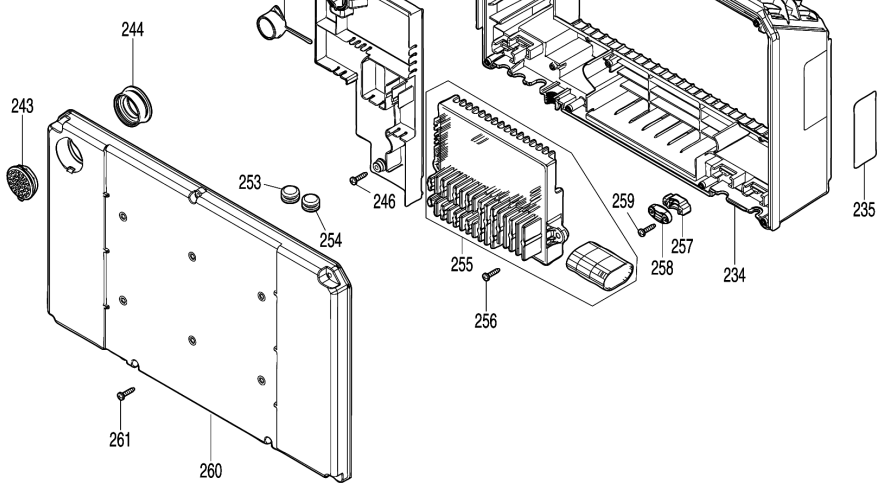
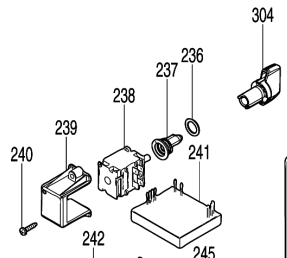
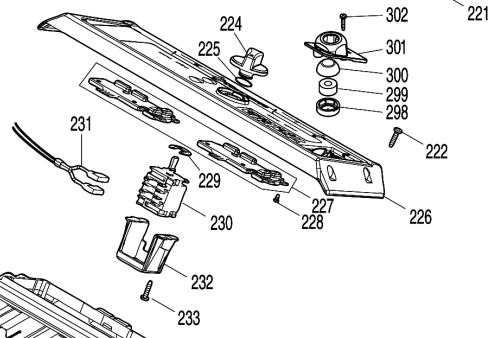
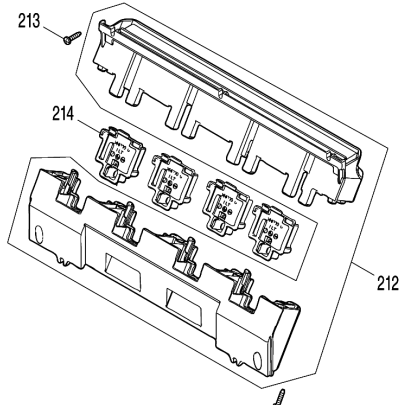
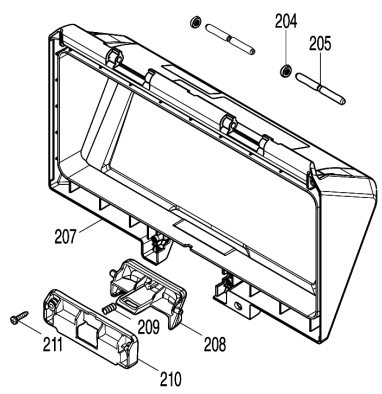
44



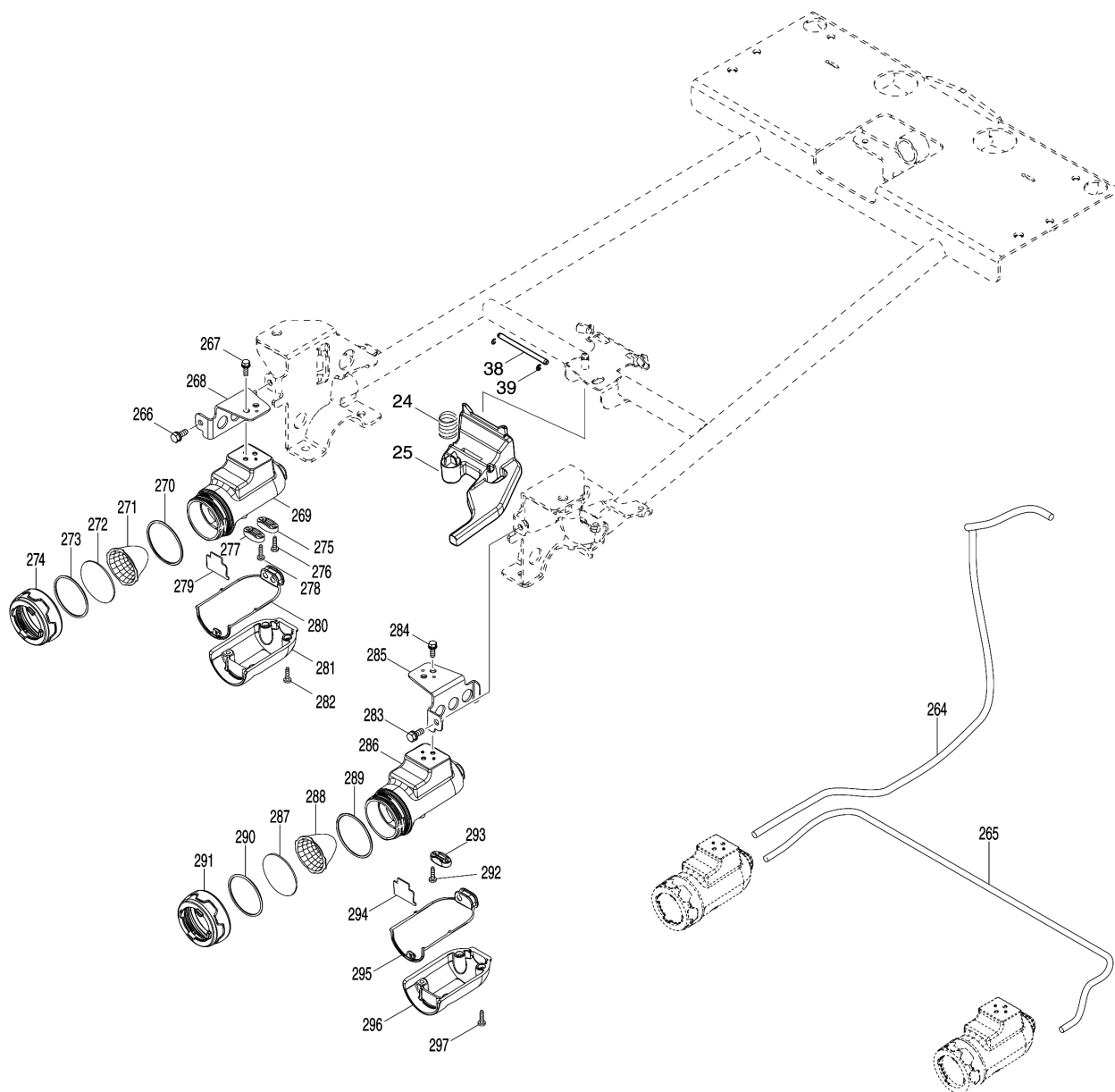
# Model No.DCU604 BATTERY POWERED WHEELBARROW



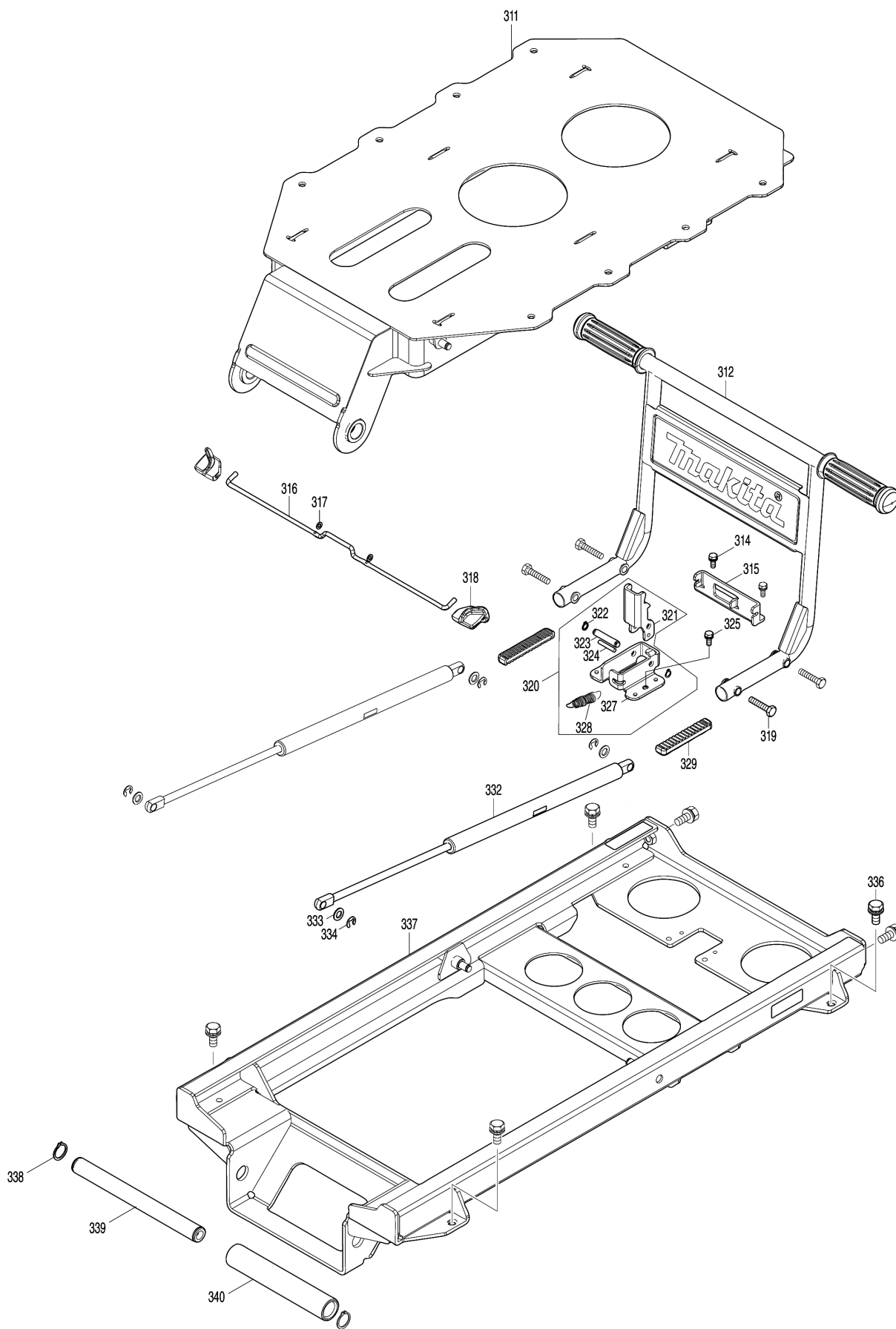
# Model No.DCU604 BATTERY POWERED WHEELBARROW



# Model No.DCU604 BATTERY POWERED WHEELBARROW

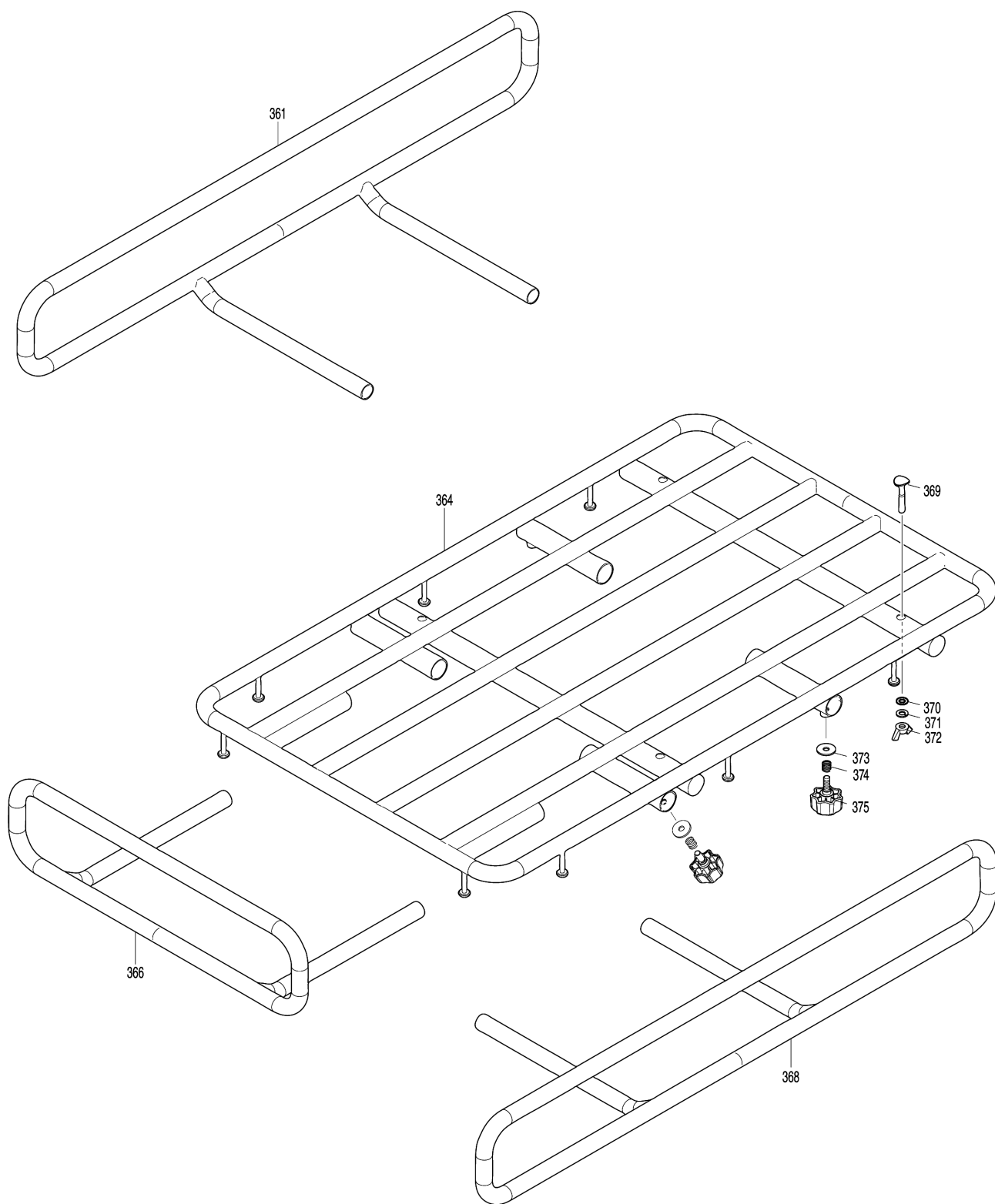


Model No.DCU604 BATTERY POWERED WHEELBARROW





# Model No.DCU604 BATTERY POWERED WHEELBARROW



## Model No.DCU604 BATTERY POWERED WHEELBARROW

分解圖號	零件編號	品名	交換	數量	New/Old	選擇1	選擇2	註記
001	412561-2	CORD COVER		1				
002	265B11-6	HEX. BOLT M8X20 WITH WR		1				
003	141P49-8	MAIN FRAME COMPLETE		1				
C10	8064B2-0	INDICATION LABEL		1				
004	256940-2	PIN 14		1				
005	327472-7	BASE SHAFT 25		1				
006	961062-2	STOP RING E-12		1				
008	261163-9	RUBBER WASHER 25		1				
009	687F01-7	BAND		1				
010	265D23-1	HEX. S.H.B M6X22 WITH GM		2				
011	136868-9	BRAKE CALIPER R ASS'Y		1				
D10		INC. 305						
012	265C76-4	HEX. BOLT M5X35 WITH WR		2				
014	347993-3	SCRAPER		1				
015	347995-9	CLAMP R		1				
016	265C76-4	HEX. BOLT M5X35 WITH WR		2				
018	347994-1	CLAMP L		1				
019	347993-3	SCRAPER		1				
020	265D23-1	HEX. S.H.B M6X22 WITH GM		2				
021	136869-7	BRAKE CALIPER L ASS'Y		1				
D10		INC. 306						
022	265B11-6	HEX. BOLT M8X20 WITH WR		2				
023	265B11-6	HEX. BOLT M8X20 WITH WR		2				
024	232737-3	COMPRESSION SPRING 19		1				
025	413D27-9	NEUTRAL LEVER LOCK		1				
026	265C46-3	HEX. BOLT M4X12 WITH WG		1				
027	413D28-7	BRAKE EQUALIZER COVER		1				
028	347629-4	CABLE CLAMP		1				
029	265B14-0	H.S.H.BOLT M6X20 WITH WR		1				
030	961004-6	RETAINING RING (EXT) S-8		1				
031	253165-9	FLAT WASHER 8		3				
032	319906-4	BRAKE EQUALIZER R		1				
033	140P25-9	BRAKE CABLE 370		1				
034	319905-6	BRAKE EQUALIZER L		1				
036	140P25-9	BRAKE CABLE 370		1				
038	256A03-0	ROD 4.5		1				
039	961017-7	STOP RING E-3		2				
040	252289-8	HEX. CAP NUT M14		4				
041	253475-4	SPRING WASHER 14		4				
042	141G99-9	TIRE 330 R ASSEMBLY		1				

D10		INC. 123-126,128-130					
044	141H00-0	TIRE 330 L ASSEMBLY		1			
D10		INC. 48-54					
045	253475-4	SPRING WASHER 14		4			
046	252289-8	HEX. CAP NUT M14		4			
047	347621-0	CLAMP 57		2			
048	265C39-0	HEX. FLANGE HD. BOLT M6X16		8			
049	347950-1	WHEEL 150		1			
050	422857-3	TIRE 330		1			
051	162B39-4	TUBE 330		1			
C10	GQ00000001	VALVE CAP M8		1			
052	347949-6	WHEEL 150		1			
053	253551-4	FLAT WASHER 6		8			
054	252308-0	HEX. NUT M6-10		8			
058	122E51-4	MOTOR ASSEMBLY		1			
059	347698-5	DIFF BRACKET		1			
060	347A16-3	NEUTRAL LEVER		1			
061	347697-7	NEUTRAL LEVER HOLDER		1			
062	232616-5	TORSION SPRING 14		1			
063	413D41-5	NEUTRAL CHANGE LEVER		1			
064	253430-6	FLAT WASHER 8		1			
065	265465-5	HEX. SOCKET HEAD BOLT M6		1			
066	NP00000001	SPLIT PIN 3-35		2			
067	NP00000002	HEX. NUT M20		2			
068	NP00000003	SPRING WASHER 22		2			
069	313304-4	HUB		2			
070	347208-8	BRAKE DISC		2			
071	141P62-6	PLATE COMPLETE		2			
072	265C87-9	H.S.B. HEAD SCREW M5X12		12			
073	327626-6	SLEEVE 25		2			
074	NP00000004	KEY 6		2			
075	122D22-5	DIFFERENTIAL GEAR UNIT		1			
D10		INC. 66-74					
077	122C29-5	TURNING LOCK R ASSEMBLY		1			
D10		INC. 78-85					
078	413D33-4	LOCK LEVER		1			
079	327938-7	SNAP RETAINER		1			
080	268181-8	PIN 3		1			
081	413D32-6	LIFTER GUIDE R		1			
082	232617-3	COMPRESSION SPRING 10		1			
083	253173-0	FLAT WASHER 10		1			
084	961013-5	STOP RING E-7		1			

085	256A04-8	PIN 10		1			
086	265C46-3	HEX. BOLT M4X12 WITH WG		2			
087	122C28-7	TURNING LOCK L ASSEMBLY		1			
D10		INC. 88-95					
088	413D33-4	LOCK LEVER		1			
089	327938-7	SNAP RETAINER		1			
090	268181-8	PIN 3		1			
091	413D31-8	LIFTER GUIDE L		1			
092	232617-3	COMPRESSION SPRING 10		1			
093	253173-0	FLAT WASHER 10		1			
094	961013-5	STOP RING E-7		1			
095	256A04-8	PIN 10		1			
096	265C46-3	HEX. BOLT M4X12 WITH WG		2			
097	162712-4	REAR BASE		1			
098	265B13-2	HEX. BOLT M10X20 WITH WG		8			
106	265B10-8	HEX BOLT M12X40		1			
107	253460-7	FLAT WASHER 13		1			
109	213211-0	O RING 15		4			
112	327646-0	AXLE 20		1			
113	253460-7	FLAT WASHER 13		1			
114	265B10-8	HEX BOLT M12X40		1			
115	136835-4	HEX. SLEEVE 20 ASS'Y		1			
C10	263027-3	RUBBER PIN 4		1			
117	141H01-8	TIRE 210 ASSEMBLY		2			
D10		INC. 131-134,136-139					
118	257498-4	RING 20		1			
121	136835-4	HEX. SLEEVE 20 ASS'Y		1			
C10	263027-3	RUBBER PIN 4		1			
122	127457-1	CASTER 210 ASSEMBLY		2			
D10		INC. 106,107,109,112-115,					
D20		INC. 117,118,121					
123	265C39-0	HEX. FLANGE HD. BOLT M6X16		8			
124	347950-1	WHEEL 150		1			
125	422857-3	TIRE 330		1			
126	162B39-4	TUBE 330		1			
C10	GQ00000001	VALVE CAP M8		1			
128	347949-6	WHEEL 150		1			
129	253551-4	FLAT WASHER 6		8			
130	252308-0	HEX. NUT M6-10		8			
131	265C40-5	HEX. BOLT M8X20		4			
132	253552-2	FLAT WASHER 8		4			
133	347952-7	WHEEL 100		1			

134	422860-4	TIRE 210		1			
136	162B40-9	TUBE 210		1			
C10	GQ00000001	VALVE CAP M8		1			
137	347951-9	WHEEL 100		1			
138	253552-2	FLAT WASHER 8		4			
139	252309-8	HEX. NUT M8-13		4			
145	183X90-3	SWITCH BOX SET		1			
C10	8065A9-5	CAUTION LABEL		1			
D10		INC. 162					
146	140P26-7	SWITCH CIRCUIT COMPLETE		1			
C10	183X57-1	SWITCH PLATE SET		1			
C20	266490-9	TAPPING SCREW PT 2X6		3			
147	346249-1	PIPE CLAMP 28		1			
148	265A97-4	H.S.H.BOLT M5X16 WITH WR		1			
149	232738-1	TORSION SPRING 11		1			
150	412206-2	SWITCH LEVER		1			
151	422554-1	LEVER COVER		1			
152	651395-0	SWITCH C3JW-6B-PA6N		1			
153	620C26-0	LED CIRCUIT		1			
154	699178-0	POWER SUPPLY CORD UNIT		1			
155	266130-9	TAPPING SCREW BIND PT 3X16		2			
156	122C26-1	BUZZER SWITCH ASSEMBLY		1			
C10	632T14-7	SWITCH UNIT		1			
161	422555-9	SWITCH COVER		1			
162	183X90-3	SWITCH BOX SET		1			
C10	8065A9-5	CAUTION LABEL		1			
D10		INC. 145					
163	266130-9	TAPPING SCREW BIND PT 3X16		6			
164	265C98-4	HEX SOCKET HEAD BOLT M5X25		2			
165	312C48-1	CLAMP 22		1			
166	266130-9	TAPPING SCREW BIND PT 3X16		2			
167	312C44-9	ADJUST NUT		1			
168	312C43-1	ADJUST BOLT		1			
169	413D25-3	SWITCH HOLDER		1			
170	632T13-9	SWITCH UNIT		1			
173	127458-9	BRAKE LEVER ASSEMBLY		1			
D10		INC. 166-170					
182	140P23-3	BRAKE CABLE 1590		1			
187	140T47-3	HANDLE R COMPLETE		1			
188	141H20-4	HANDLE LOCK KNOB		2			

C10	232739-9	COMPRESSION SPRING 15		2			
C20	313400-8	SPRING HOLDER		2			
193	140P15-2	HANDLE L COMPLETE		1			
197	141H20-4	HANDLE LOCK KNOB		2			
C10	232739-9	COMPRESSION SPRING 15		2			
C20	313400-8	SPRING HOLDER		2			
199	141N97-5	HANDLE BASE COMPLETE		1			
C10	8059G2-2	INDICATION LABEL		1			
200	412562-0	HANDLE BASE COVER		1			
201	265B11-6	HEX. BOLT M8X20 WITH WR		4			
202	265A96-6	H.S.H.BOLT M5X14 WITH WR		6			
204	262206-0	RUBBER RING 6		2			
205	256942-8	ROD 6		2			
207	141K01-6	BATTERY COVER COMPLETE		1			
C10	8048W7-5	CAUTION LABEL		1			
C20	8059G1-4	INDICATION LABEL		1			
C30	816M70-5	INDICATION LABEL		1			
208	412195-1	BATTERY COVER HOOK		1			
209	231240-1	COMPRESSION SPRING 7		1			
210	412533-7	HOOK RETAINER		1			
211	266326-2	TAPPING SCREW 4X18		2			
212	183V34-1	TERMINAL CASE SET		1			
C10	263005-3	RUBBER PIN 6		8			
213	266326-2	TAPPING SCREW 4X18		5			
214	644809-6	TERMINAL		4			
215	961004-6	RETAINING RING (EXT) S-8		1			
216	265C85-3	HEX SOCKET HEAD BOLT M6X12		2			
217	265C86-1	HEX SOCKET HEAD BOLT M6X22		2			
218	265C86-1	HEX SOCKET HEAD BOLT M6X22		3			
219	347A43-0	SPACER 6		3			
221	266326-2	TAPPING SCREW 4X18		5			
222	266326-2	TAPPING SCREW 4X18		4			
224	412196-9	CHANGE LEVER		1			
225	213A15-6	O-RING 14		1			
226	141L75-3	TOP COVER COMPLETE		1			
C10	8048W3-3	INDICATION LABEL		1			
227	620C24-4	INDICATION CIRCUIT		1			
228	265C42-1	TAPPING SCREW 3X6		10			
229	961062-2	STOP RING E-12		1			
230	651444-3	SWITCH 1703.4703		1			

231	638A27-2	LEAD UNIT	1			
232	451343-7	SWITCH HOLDER	1			
233	266326-2	TAPPING SCREW 4X18	2			
234	412188-8	CENTER CASE	1			
235	8118L6-3	DCU604 NAME PLATE	1			
236	213A15-6	O-RING 14	1			
237	413D29-5	KEY JOINT	1			
238	650622-2	SWITCH	1			
239	451343-7	SWITCH HOLDER	1			
240	266326-2	TAPPING SCREW 4X18	2			
241	620G67-0	CONTROLLER	1			
242	620C25-2	BUZZER CIRCUIT	1			
243	413D35-0	BUZZER COVER	1			
244	422840-0	GROMMET	1			
245	412194-3	INNER CASE	1			
246	266326-2	TAPPING SCREW 4X18	2			
253	682114-3	GROMMET	1			
254	682114-3	GROMMET	1			
255	620D13-5	CONTROLLER	1			
256	266326-2	TAPPING SCREW 4X18	2			
257	687051-6	STRAIN RELIEF	1			
258	687124-5	STRAIN RELIEF	1			
259	266326-2	TAPPING SCREW 4X18	2			
260	412190-1	FRONT COVER	1			
261	266326-2	TAPPING SCREW 4X18	7			
264	699180-3	POWER SUPPLY CORD UNIT	1			
265	699181-1	POWER SUPPLY CORD UNIT	1			
266	265B16-6	HEX. BOLT M6X16 WITH WR	1			
267	265B17-4	HEX. BOLT M5X16 WITH WR	2			
268	347622-8	LIGHT STAY R	1			
269	319594-7	LIGHT CASE	1			
270	213656-2	O RING 53	1			
271	457636-0	REFLECTOR	1			
272	457634-4	LENS	1			
273	213604-1	O RING 50	1			
274	457635-2	COVER	1			
275	687124-5	STRAIN RELIEF	1			
276	266034-5	TAPPING SCREW CT 4X16	2			
277	687124-5	STRAIN RELIEF	1			
278	266034-5	TAPPING SCREW CT 4X16	2			
279	620685-2	LED CIRCUIT	1			
280	422151-3	PACKING	1			
281	319595-5	LIGHT CASE COVER	1			

282	266034-5	TAPPING SCREW CT 4X16	4				
283	265B16-6	HEX. BOLT M6X16 WITH WR	1				
284	265B17-4	HEX. BOLT M5X16 WITH WR	2				
285	347623-6	LIGHT STAY L	1				
286	319594-7	LIGHT CASE	1				
287	457634-4	LENS	1				
288	457636-0	REFLECTOR	1				
289	213656-2	O RING 53	1				
290	213604-1	O RING 50	1				
291	457635-2	COVER	1				
292	266034-5	TAPPING SCREW CT 4X16	2				
293	687124-5	STRAIN RELIEF	1				
294	620685-2	LED CIRCUIT	1				
295	422166-0	PACKING	1				
296	319595-5	LIGHT CASE COVER	1				
297	266034-5	TAPPING SCREW CT 4X16	4				
298	413D37-6	LEVEL CASE	1				
299	242101-0	LEVEL INDICATOR	1				
300	413D36-8	LEVEL COVER	1				
301	413D38-4	LEVEL RETANER	1				
302	266130-9	TAPPING SCREW BIND PT 3X16	2				
303	687F00-9	BAND	1				
304	413D30-0	KEY	1				
305	422961-8	PAD RETAINER	1				
306	422961-8	PAD RETAINER	1				
311	162717-4	UPPER FRAME	1				
312	140P16-0	DUMP HANDLE COMPLETE	1				
C10	8048W5-9	MAKITA LOGO LABEL	1				
314	265B16-6	HEX. BOLT M6X16 WITH WR	2				
315	347628-6	HOLDER	1				
316	327470-1	ROD 5	1				
317	941102-2	FLAT WASHER 5	2				
318	412197-7	KNOB	2				
319	921461-0	HEX. BOLT M8X40	4				
320	122C30-0	DUMP LOCK ASSEMBLY	1				
D10		INC. 321-324,327,328					
321	347626-0	ARM	1				
322	961004-6	RETAINING RING (EXT) S-8	2				
323	256943-6	PIN 8	1				
324	256196-7	PIN 5	1				
325	265B16-6	HEX. BOLT M6X16 WITH WR	2				
327	347627-8	BASE	1				
328	232618-1	TENSION SPRING 11	1				



329	422556-7	CUSHION RUBBER		2				
332	162816-2	GAS SPRING 240		2				
333	941252-3	FLAT WASHER 10		4				
334	961014-3	STOP RING E-8		4				
336	265508-3	HEX.BOLT M10X25		6				
337	141N98-3	DUMP BASE COMPLETE		1				
C10	8059G3-0	CAUTION LABEL		2				
C20	8059G6-4	INDICATION LABEL		1				
C30	8059G7-2	INDICATION LABEL		1				
338	961102-6	RETAINING RING S-22		2				
339	327474-3	SHAFT 22		1				
340	327480-8	SLEEVE 22		1				
361	141N88-6	SIDE GUARD COMPLETE		1				
C10	457744-7	CAP 22		2				
364	141N87-8	PIPE FRAME COMPLETE		1				
C10	457743-9	CAP 30		4				
366	141N89-4	FRONT GUARD COMPLETE		1				
C10	457744-7	CAP 22		2				
368	141N88-6	SIDE GUARD COMPLETE		1				
C10	457744-7	CAP 22		2				
369	265C30-8	FLAT HEAD BOLT M8X50		4				
370	253165-9	FLAT WASHER 8		4				
371	942201-3	SPRING WASHER 8		4				
372	934401-9	WING NUT M8		4				
373	253852-0	FLAT WASHER 8		6				
374	232710-3	COMPRESSION SPRING 12		6				
375	251541-1	THUMB SCREW M8X25		6				
376	941201-0	FLAT WASHER 8		1				

Please order the parts with part number.

Print Date 2023/1/6