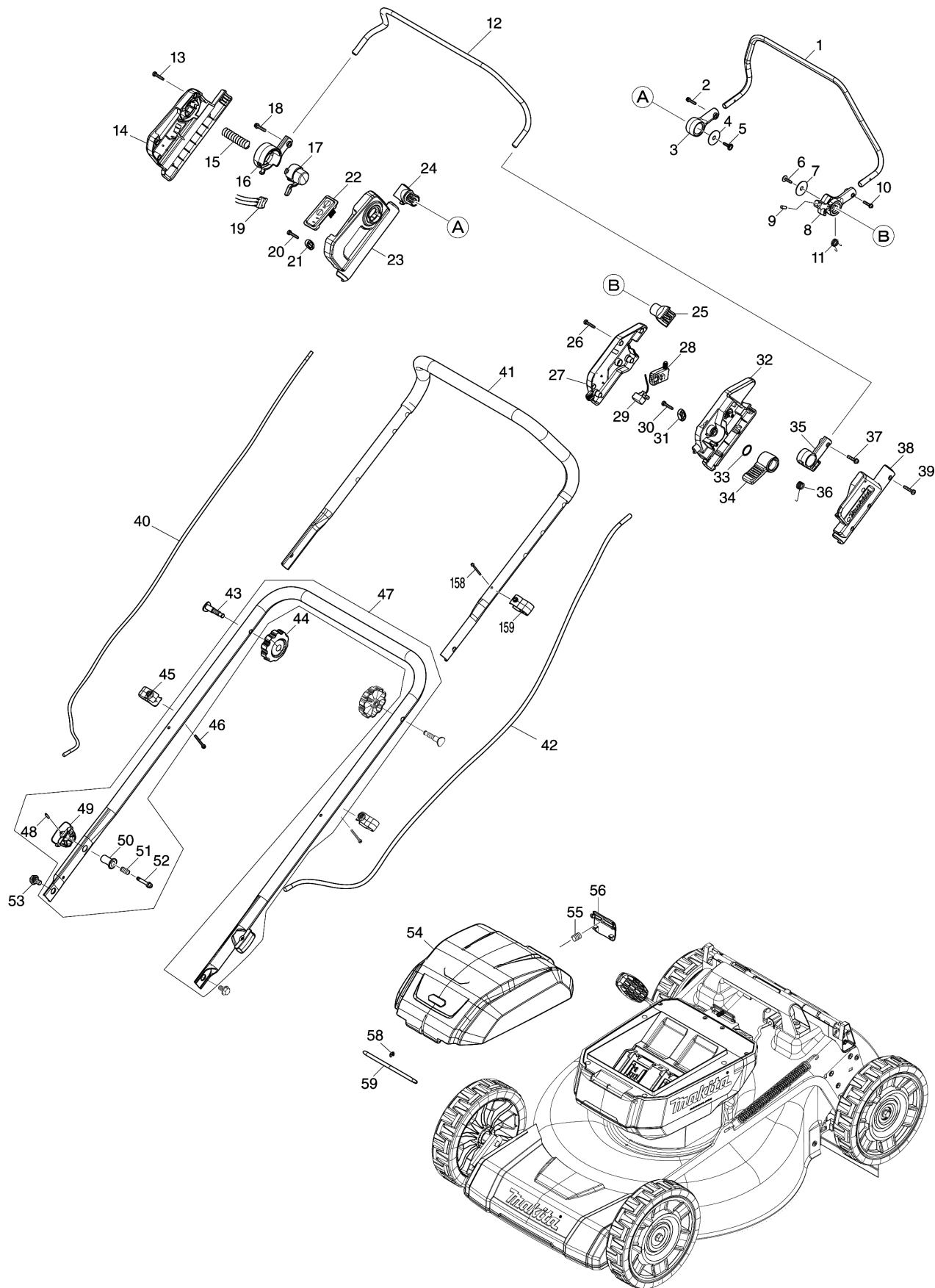
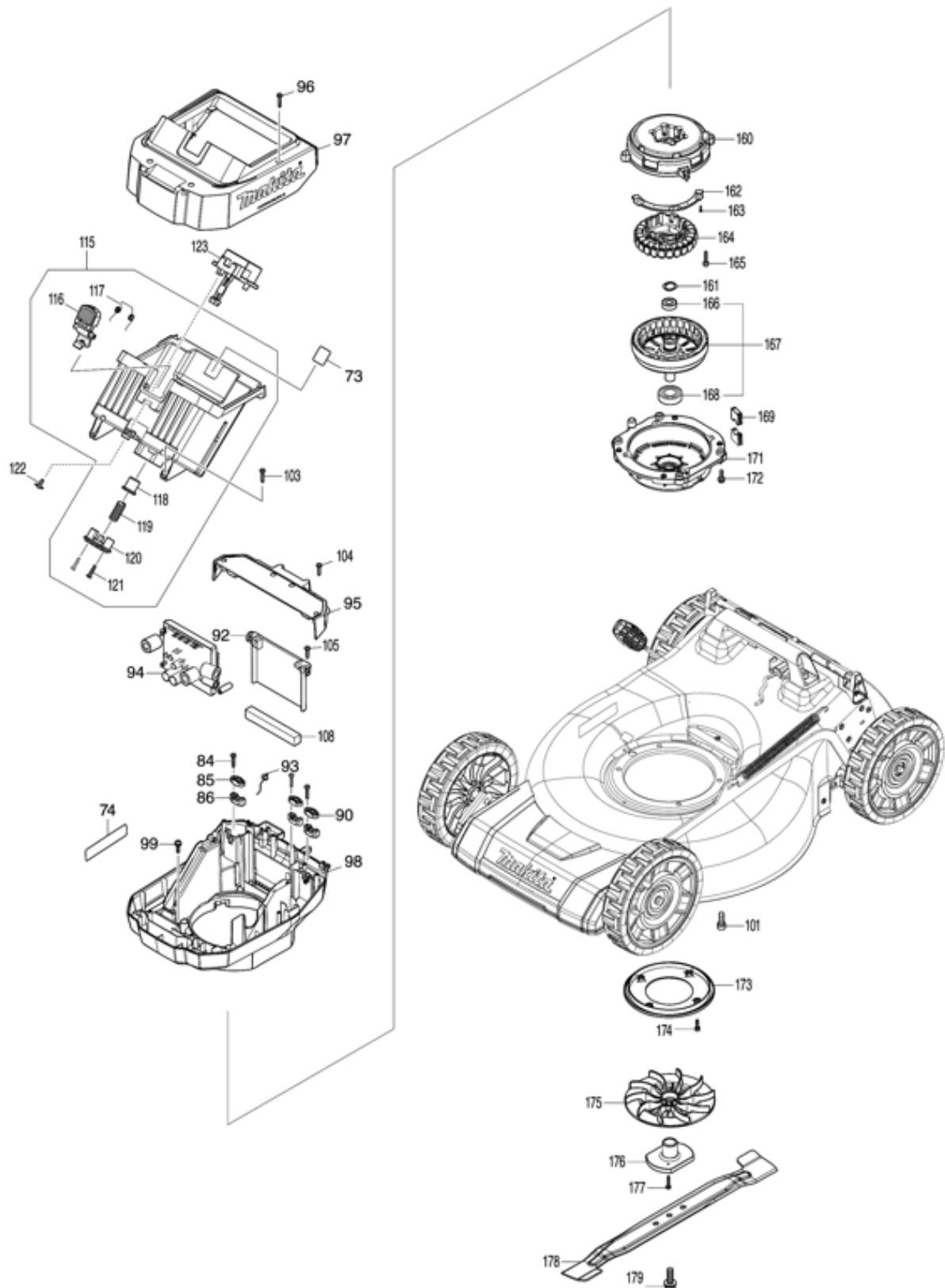


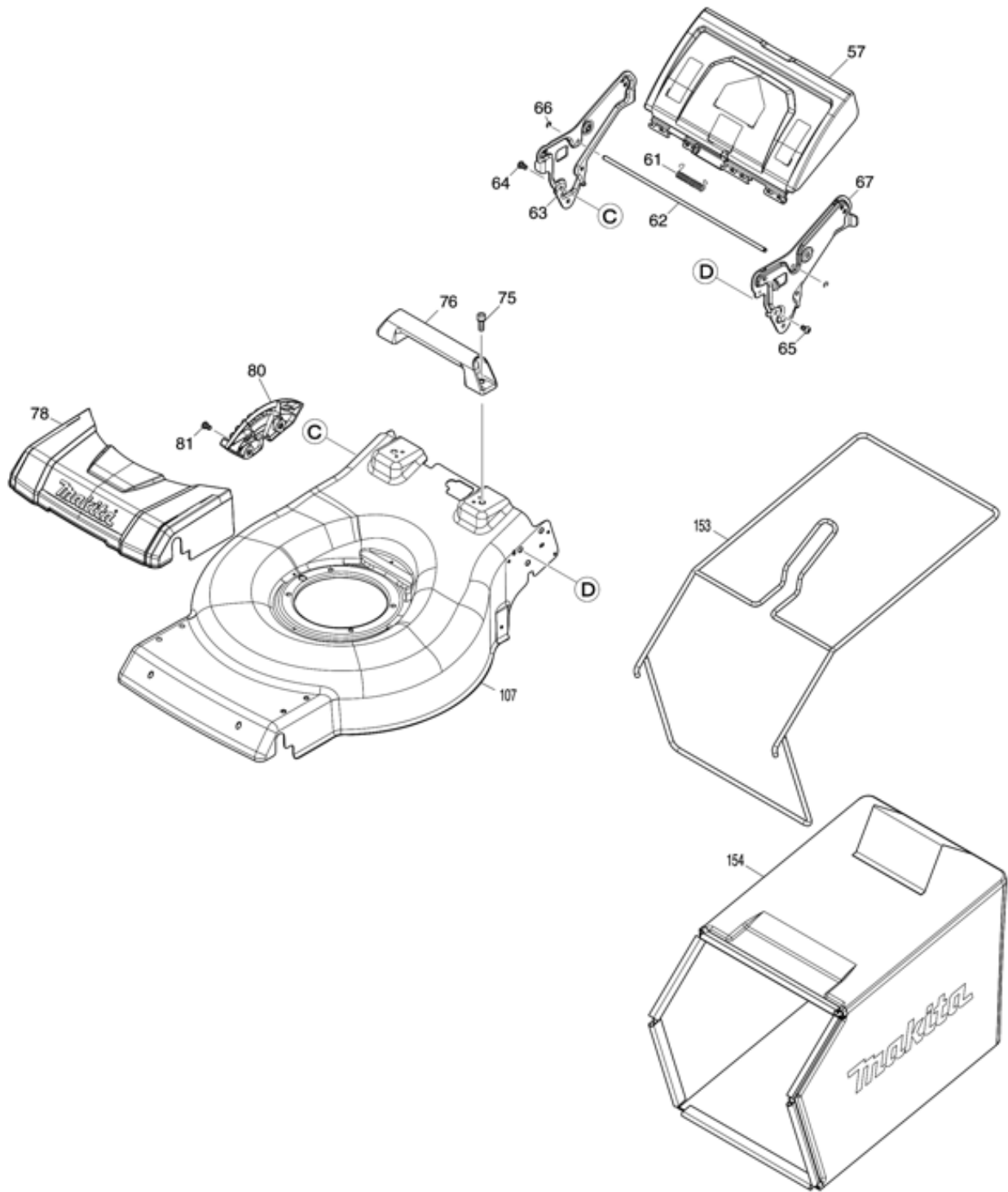
Model No. LM004J 530MM CORDLESS LAWN MOWER



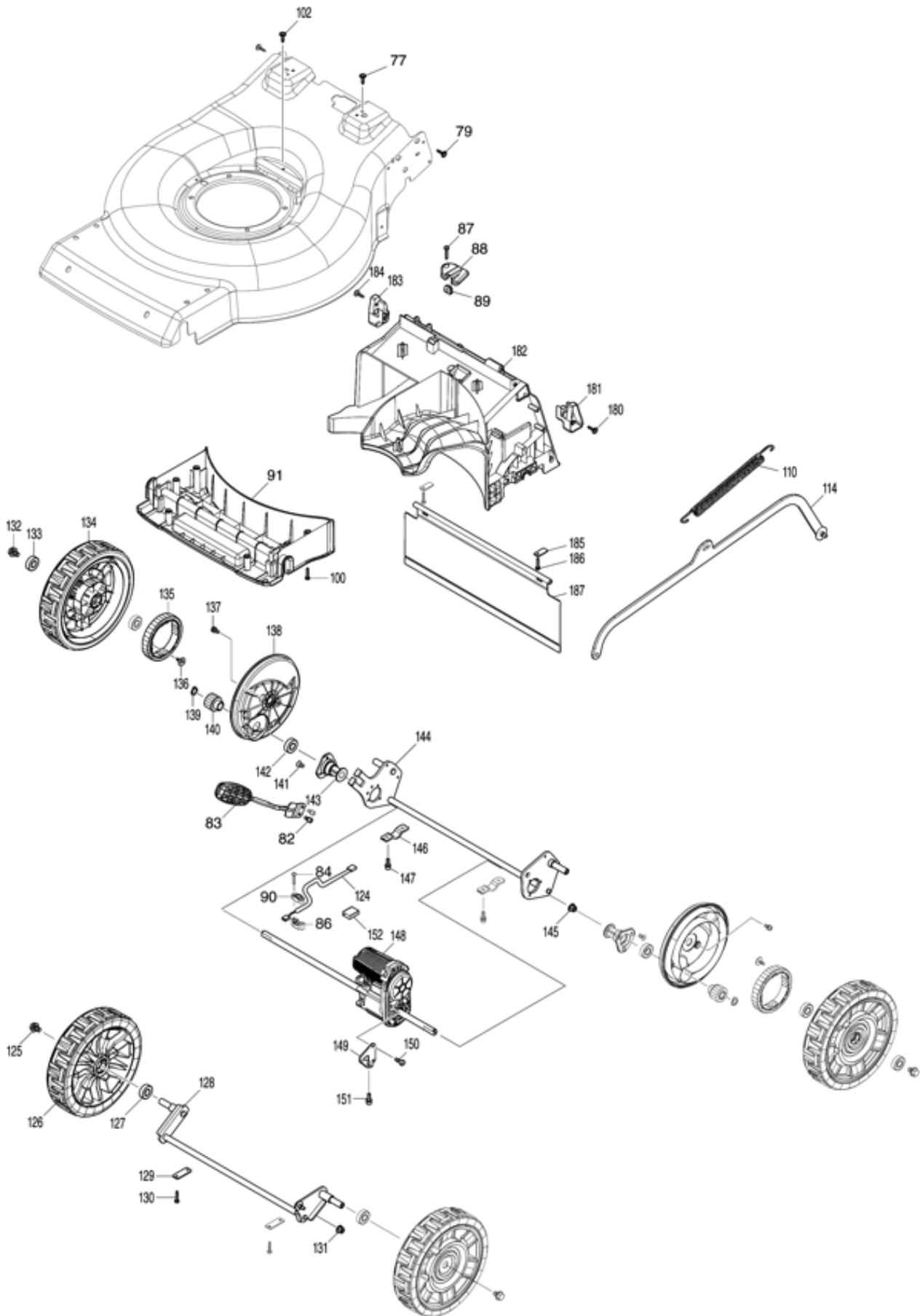
Model No.LM004J 530MM CORDLESS LAWN MOWER



Model No.LM004J 530MM CORDLESS LAWN MOWER



Model No.LM004J 530MM CORDLESS LAWN MOWER



Model No.LM004J 530MM CORDLESS LAWN MOWER

分解圖號	零件編號	品名	交換	數量	New/Old	選擇1	選擇2	註記
001	327425-6	DRIVING LEVER		1				
002	911138-5	P.H.SCREW M4X20 WITH WR		1				
003	459858-8	DRIVING LEVER SUPPORT R		1				
C10	931102-0	HEX. NUT M4		1				
004	253814-8	FLAT WASHER 8		1				
005	265620-9	TAPPING SCREW FLANGE 4X18		1				
006	265620-9	TAPPING SCREW FLANGE 4X18		1				
007	253814-8	FLAT WASHER 8		1				
008	413B10-4	DRIVING LEVER SUPPORT L		1				
C10	931102-0	HEX. NUT M4		1				
009	268225-4	PIN 5		1				
010	911138-5	P.H.SCREW M4X20 WITH WR		1				
011	232566-4	TORSION SPRING 12		1				
012	327424-8	SWITCH LEVER		1				
013	266424-2	TAPPING SCREW 4X20		6				
014	183X93-7	SWITCH BOX SET		1				
C10	8044A1-9	INDICATION LABEL		1				
D10		INC. 23						
015	231227-3	COMPRESSION SPRING 15		1				
016	459856-2	SWITCH LEVER SUPPORT R		1				
C10	931102-0	HEX. NUT M4		1				
017	459857-0	LOCK OFF BUTTON		1				
018	911138-5	P.H.SCREW M4X20 WITH WR		1				
019	632T11-3	SWITCH UNIT		1				
020	266424-2	TAPPING SCREW 4X20		2				
021	687123-7	STRAIN RELIEF		1				
022	141E30-3	SWITCH CIRCUIT COMPLETE		1				
C10	8031N1-9	SWITCH LABEL		1				
023	183X93-7	SWITCH BOX SET		1				
C10	8044A1-9	INDICATION LABEL		1				
D10		INC. 14						
024	413A98-8	DRIVING LEVER HOLDER		1				
025	413A98-8	DRIVING LEVER HOLDER		1				
026	266424-2	TAPPING SCREW 4X20		5				
027	183U35-3	LEVER BOX SET		1				
D10		INC. 38						

028	651083-9	SWITCH C3XA-1PSPM		1			
029	620J45-8	DIAL CIRCUIT		1			
030	266424-2	TAPPING SCREW 4X20		2			
031	687123-7	STRAIN RELIEF		1			
032	413A95-4	LEVER BOX C		1			
033	213A12-2	O-RING 18		1			
034	413B01-5	SPEED LEVER		1			
035	459863-5	SWITCH LEVER SUPPORT L		1			
C10	931102-0	HEX. NUT M4		1			
036	232575-3	TORSION SPRING 12		1			
037	911138-5	P.H.SCREW M4X20 WITH WR		1			
038	183U35-3	LEVER BOX SET		1			
D10		INC. 27					
039	266424-2	TAPPING SCREW 4X20		5			
040	699215-0	POWER SUPPLY CORD UNIT		1			
041	327871-3	HANDLE UPPER		1			
042	699216-8	POWER SUPPLY CORD UNIT		1			
043	265C08-1	FLAT HEAD BOLT M8X50		2			
044	265C06-5	THUMB NUT M8		2			
045	413L52-8	CLAMP		2			
C10	931102-0	HEX. NUT M4		2			
046	911168-6	PAN HEAD SCREW M4X40		2			
047	122D38-0	HANDLE LOWER ASSEMBLY		1			
D10		INC. 48-52					
048	258004-8	SPRING PIN 2.5-16		2			
049	413943-1	KNOB		2			
050	327A66-4	LOCK HOLDER		2			
051	234121-8	COMPRESSION SPRING 8		2			
052	327A65-6	LOCK PIN		2			
053	265C07-3	HEX. BOLT M8		2			
054	136882-5	BATTERY COVER ASS'Y		1			
C10	8046H9-4	INDICATION LABEL		1			
055	231037-8	COMPRESSION SPRING 7		1			
056	459852-0	LOCK LEVER		1			
057	141M36-9	REAR FLAP COMPLETE		1			
C10	8044A0-1	CAUTION LABEL		1			
058	961018-5	STOP RING E-5		1			
059	327875-5	ROD 6		1			
061	232721-8	TORSION SPRING 8		1			
062	327A64-8	ROD 6		1			
063	347A56-1	HANDLE BRACKET R		1			
064	265B20-5	HEX.SOCKET BUTTON		3			

		HEAD BOLT M8					
065	265B20-5	HEX.SOCKET BUTTON HEAD BOLT M8		3			
066	961018-5	STOP RING E-5		2			
067	347A55-3	HANDLE BRACKET L		1			
073	8582G5-3	LM004J SERIAL NO. LABEL		1			
074	8582F9-8	LM004J NAME PLATE		1			
075	922441-9	HEX. SOCKET HEAD BOLT M8X25		2			
076	413L42-1	REAR GRIP		1			
077	265620-9	TAPPING SCREW FLANGE 4X18		2			
078	413L33-2	FRONT COVER		1			
079	265620-9	TAPPING SCREW FLANGE 4X18		7			
080	413L43-9	HEIGHT ADJUST PLATE		1			
081	265B20-5	HEX.SOCKET BUTTON HEAD BOLT M8		2			
082	922311-2	HEX. SOCKET HEAD BOLT M6X12		2			
083	162B98-8	HEIGHT ADJUST LEVER COMPLETE		1			
084	266424-2	TAPPING SCREW 4X20		6			
085	687123-7	STRAIN RELIEF		2			
086	687051-6	STRAIN RELIEF		3			
087	266424-2	TAPPING SCREW 4X20		1			
088	413L50-2	LEAD COVER		1			
089	422526-6	GROMMET		1			
090	687124-5	STRAIN RELIEF		1			
091	413L35-8	DECK UNDER COVER F		1			
092	413L31-6	INNER PLATE		1			
093	620J95-3	LED CIRCUIT		1			
094	620J91-1	CONTROLLER		1			
095	141M33-5	COWLING COVER COMPLETE		1			
096	266424-2	TAPPING SCREW 4X20		4			
097	122D39-8	COWLING UPPER ASSEMBLY		1			
C10	422756-9	SPONGE SEAL		1			
098	413L25-1	COWLING LOWER		1			
099	911233-1	PAN HEAD SCREW M5X20		4			
100	266424-2	TAPPING SCREW 4X20		6			
101	922441-9	HEX. SOCKET HEAD BOLT M8X25		4			
102	265620-9	TAPPING SCREW FLANGE 4X18		1			
103	266424-2	TAPPING SCREW 4X20		4			
104	266424-2	TAPPING SCREW 4X20		4			
105	266424-2	TAPPING SCREW 4X20		2			

107	141S44-6	DECK COMPLETE		1			
108	422956-1	SPONGE		1			
110	232628-8	TENSION SPRING 16		1			
114	347A58-7	CONNECTING ROD		1			
115	122D36-4	BATTERY HOUSING ASSEMBLY		1			
D10		INC. 116-121					
116	413942-3	LOCK LEVER		1			
117	232716-1	TORSION SPRING 9		1			
118	413940-7	SPRING HOLDER		1			
119	232718-7	COMPRESSION SPRING 11		1			
120	413941-5	SPRING SUPPORT		1			
121	266424-2	TAPPING SCREW 4X20		2			
122	265B00-1	TAPPING SCREW FLANGE 4X12		2			
123	632U17-7	TERMINAL UNIT		1			
124	699213-4	POWER SUPPLY CORD UNIT		1			
125	265324-3	HEX. FLANGE HEAD BOLT M8X12		2			
126	141M25-4	TIRE 230 COMPLETE		2			
127	210163-6	BALL BEARING 6001DDW		2			
128	162C00-7	FRONT SHAFT		1			
129	347869-4	PLATE		2			
130	266424-2	TAPPING SCREW 4X20		4			
131	252301-4	HEX. FLANGE LOCK NUT M6-10		1			
132	265324-3	HEX. FLANGE HEAD BOLT M8X12		2			
133	210163-6	BALL BEARING 6001DDW		4			
134	141M26-2	TIRE 230 COMPLETE		2			
135	227A02-9	SPUR GEAR 47		2			
136	265B00-1	TAPPING SCREW FLANGE 4X12		4			
137	911213-7	PAN HEAD SCREW M5X12		4			
138	413L41-3	WHEEL CAP		2			
139	961052-5	RETAINING RING (EXT) S-12		2			
140	227A01-1	SPUR GEAR 15		2			
141	251951-2	HEX. SOCKET HEAD BOLT M5X10		6			
142	210163-6	BALL BEARING 6001DDW		2			
143	313390-5	REAR SHAFT HOLDER		2			
144	162C02-3	REAR SHAFT		1			
145	252301-4	HEX. FLANGE LOCK NUT M6-10		1			
146	347865-2	CLAMP 19		2			
147	922223-9	H.S.H.BOLT M5X16 WITH WR		4			

148	122D28-3	DRIVE UNIT		1				
149	347A59-5	BRACKET		1				
150	266388-0	TAPPING SCREW 5X16		2				
151	922223-9	H.S.H.BOLT M5X16 WITH WR		1				
152	683A20-1	POLYOLEFIN TUBE		1				
153	162C45-5	GRASS CATCHER BRACKET		1				
154	162C13-8	GRASS CATCHER		1				
158	911163-6	PAN HEAD SCREW M4X35		1				
159	413944-9	CLAMP		1				
C10	931102-0	HEX. NUT M4		1				
160	141M30-1	STATOR BASE COMPLETE		1				
161	253455-0	WAVE WASHER 19		1				
162	620J44-0	CONTROLLER B		1				
163	265C89-5	FLAT HEAD SCREW M3X10		3				
164	629B85-5	STATOR		1				
165	911158-9	PAN HEAD SCREW M4X30		6				
166	210059-1	BALL BEARING 6000DDW		1				
167	519786-0	ROTOR ASS'Y		1				
D10		INC. 166,168						
168	211332-2	BALL BEARING 6004LLU		1				
169	422955-3	GROMMET		2				
171	312D43-7	BRACKET		1				
172	911233-1	PAN HEAD SCREW M5X20		4				
173	413L53-6	BAFFLE PLATE		1				
174	911126-2	PAN HEAD SCREW M4X16		4				
175	240205-2	FAN 170		1				
176	312D48-7	BLADE SUPPORT 530		1				
177	266424-2	TAPPING SCREW 4X20		2				
178	191V96-5	BLADE 530 SET		1				
179	265A69-9	HEX. BOLT M10X35 WITH WG		1				
180	265620-9	TAPPING SCREW FLANGE 4X18		1				
181	183X16-5	GRASS GUARD SET		1				
D10		INC. 183						
182	413L37-4	DECK UNDER COVER R		1				
C10	252329-2	SQUARE NUT M5		5				
183	183X16-5	GRASS GUARD SET		1				
D10		INC. 181						
184	265620-9	TAPPING SCREW FLANGE 4X18		1				
A01	327589-6	ROD 6		1				
A02	413L55-2	MULCHING PLUG 530		1				
A03	413L57-8	DISCHARGE CHUTE		1				

A04	782210-8	SOCKET WRENCH 17		1				
A05B	413A28-9	BATTERY COVER		1				
A06B	***DC64WA	DC64WA BATTERY CHARGER		1				
D10		COMPO-PARTS						
A07B	191Y74-3	BATTERY BL64100 SET		1				

Please order the parts with part number.

Print Date 2022/12/27