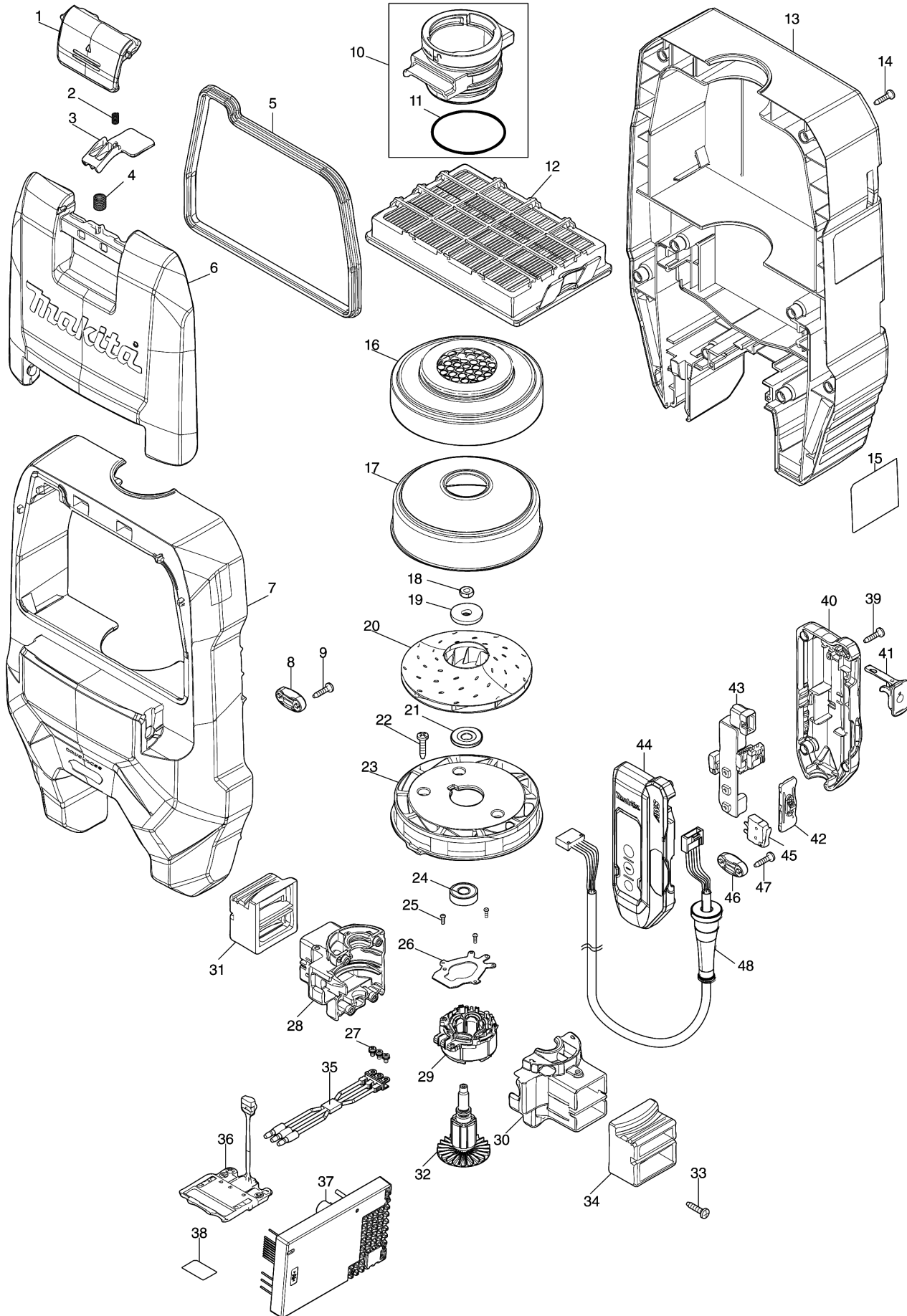
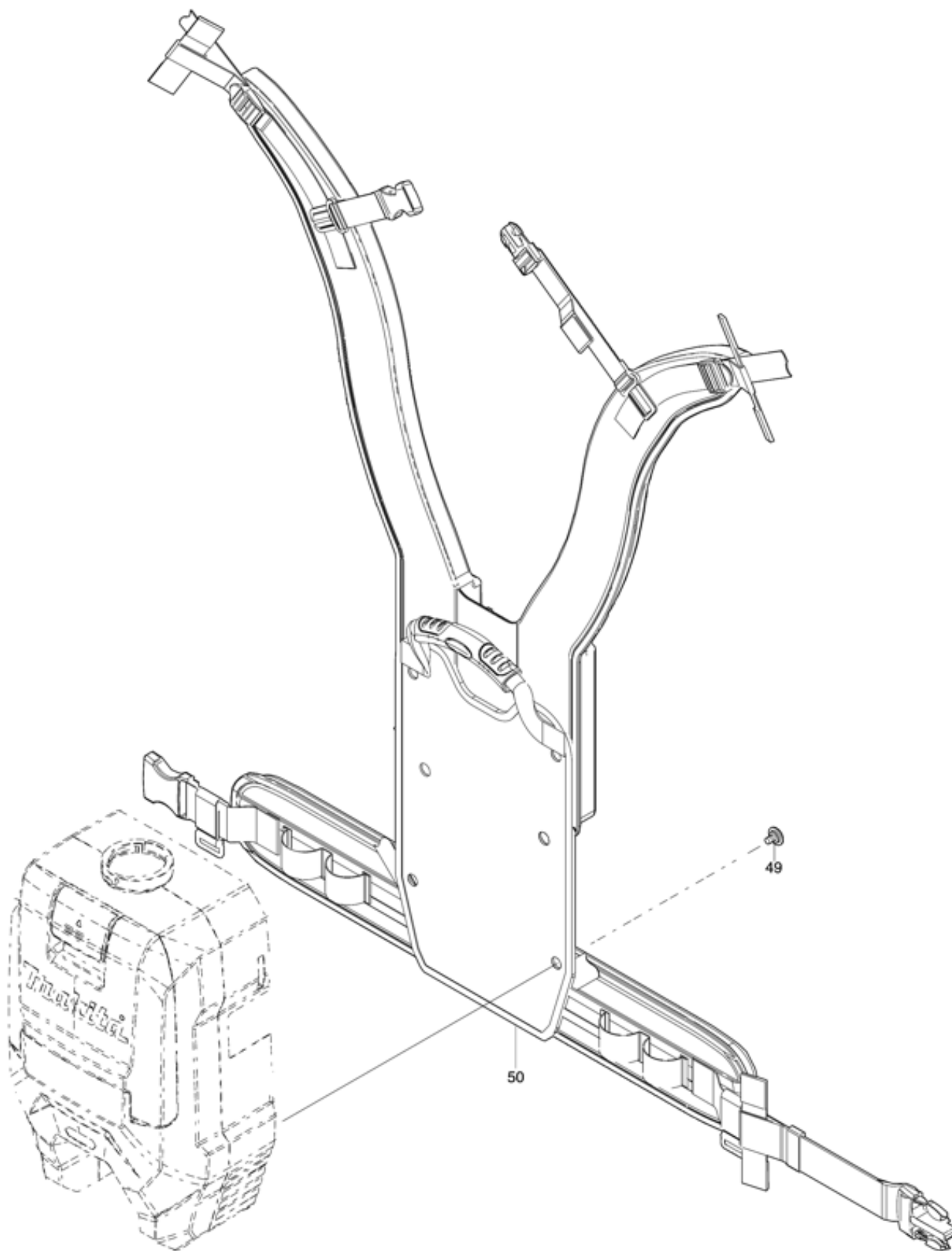


Model No.VC009G DC BACKPACK VACUUM CLEANER



Model No.VC009G DC BACKPACK VACUUM CLEANER



Model No.VC009G DC BACKPACK VACUUM CLEANER

分解圖號	零件編號	品名	交換	數量	New/Old	選擇1	選擇2	註記
001	413E53-4	HOOK		1				
002	232389-0	壓縮彈簧 5		1				
003	412268-0	STOPPER PLATE		1				
004	234391-9	壓縮彈簧 8		1				
005	422850-7	SEAL		1				
006	413E54-2	DUST BOX COVER		1				
007	136648-3	UPPER HOUSING ASSY		1				
C10	263005-3	橡膠銷 6		2				
C20	8025F3-0	XGT LOGO LABEL		1				
008	687124-5	STRAIN RELIEF		1				
009	266326-2	扁頭自攻螺絲 4X18		2				
010	135771-1	進口組件		1				
D10		INC. 11						
011	213655-4	O-形環 56		1				
012	191Y27-2	MAIN FILTER H SET		1				
013	141H48-2	LOWER HOUSING COMPLETE		1				
C10	422854-9	REAR BLOCK FILTER A		2				
C20	422855-7	REAR BLOCK FILTER B		1				
014	266326-2	扁頭自攻螺絲 4X18		8				
015	8116L0-3	VC009G NAME PLATE		1				
016	422851-5	SUPPORT RING		1				
017	347965-8	FAN COVER		1				
018	252268-6	HEX. NUT M6		1				
019	253752-4	平墊圈 8		1				
020	240178-9	風扇 104		1				
021	313062-2	法蘭		1				
022	266326-2	扁頭自攻螺絲 4X18		3				
023	413E42-9	FAN BASE		1				
024	210005-4	BALL BEARING 608DDW		1				
025	266490-9	平頭PT自攻螺絲 2X6		3				
026	620H32-5	CONTROLLER B		1				
027	652069-6	平頭螺絲 M3X6		3				
028	183V01-6	MOTOR HOUSING SET		1				
D10		INC. 30						
029	629B16-4	STATOR		1				
030	183V01-6	MOTOR HOUSING SET		1				
D10		INC. 28						
031	422856-5	SUPPORT A		1				
032	619746-3	ROTOR		1				
033	266326-2	扁頭自攻螺絲 4X18		4				

034	422856-5	SUPPORT A		1			
035	638A29-8	LEAD UNIT		1			
036	632P49-4	TERMINAL UNIT		1			
037	620H31-7	CONTROLLER		1			
038	8116L8-7	VC009G SERIAL NO. LABEL		1			
039	266130-9	扁頭PT自攻螺絲 3X16		4			
040	183V69-2	SWITCH CASE SET		1			
C10	8045G2-5	SWITCH LABEL		1			
C20	818F56-3	開關標籤 B		1			
D10		INC. 44					
041	140G18-2	CAP COMPLETE		1			
C10	213A05-9	O-RING16		1			
042	458714-9	開關桿		1			
043	620H34-1	SWITCH CIRCUIT		1			
044	183V69-2	SWITCH CASE SET		1			
C10	8045G2-5	SWITCH LABEL		1			
C20	818F56-3	開關標籤 B		1			
D10		INC. 40					
045	632E26-0	開關單元		1			
046	687124-5	STRAIN RELIEF		1			
047	266326-2	扁頭自攻螺絲 4X18		2			
048	699194-2	POWER SUPPLY CORD UNIT		1			
049	265008-3	平頭肩式螺絲 M5		4			
050	162B37-8	HARNESS		1			
A01	A-34235	HOSE COMP 28-1.5		1			
C10	417766-9	前護套 38		1			
C20	417191-4	CUFF LOCK		1			
C30	417586-1	止動器		1			
C40	417662-1	袖套組		1			
A02	166116-2	HOSE BAND		1			
A03	197903-8	集塵紙袋		1			
A04	417765-1	前護套 22		1			
A05	424379-9	前護套 24		1			
F12	191B15-1	CLEANING WAND SET		1			
F25	191E30-3	FLEXIBLE HOSE SET(LOCK)		1			
F27	191G87-6	NOZZLE ASSEMBLY SET		1			
F28	191M30-1	BRUSH NOZZLE SET		1			
F29	191M77-5	JOINT A 32 SET		1			
F30	191M78-3	JOINT B 35 SET		1			
F31	191M79-1	JOINT C 38 SET		1			
F32	191Y14-1	HARNESS COVER SET		1			
F33	191Y27-2	MAIN FILTER H SET		1			
F36	192236-6	TAPERED NOZZLE SET		1			
F39	195545-2	FRONT CUFF 38 SET		1			

F40	195546-0	FRONT CUFF 24 SET		1				
F41	195547-8	FRONT CUFF 22 SET		1				
F42	195548-6	JOINT 22-38 SET		1				
F43	195549-4	T-NOZZLE ASSY A SET(DRY)38		1				
F44	195551-7	T-NOZZLE SET 38		1				
F53	198184-7	F/C SWITCHING T-NOZZLE 38		1				
F57	198533-8	F/C SWITCHING T-NOZZLE 38 EU		1				
F58	198537-0	SHELF BRUSH SET28 IVO EU		1				
F60	198552-4	ROUND BRUSH SET 28 IVO		1				
F69	198990-0	LONG SASH NOZZLE SET 28 BLU		1				
F72	199039-9	SEAT NOZZLE SET 28 BLK		1				
F73	199041-2	SEAT NOZZLE SET 28 BLU		1				
F78	199843-6	PIPE 465 COMPLETE SET		1				
F79	199844-4	JOINT PIPE 465 SET		1				

Please order the parts with part number.

Print Date 2022/11/28