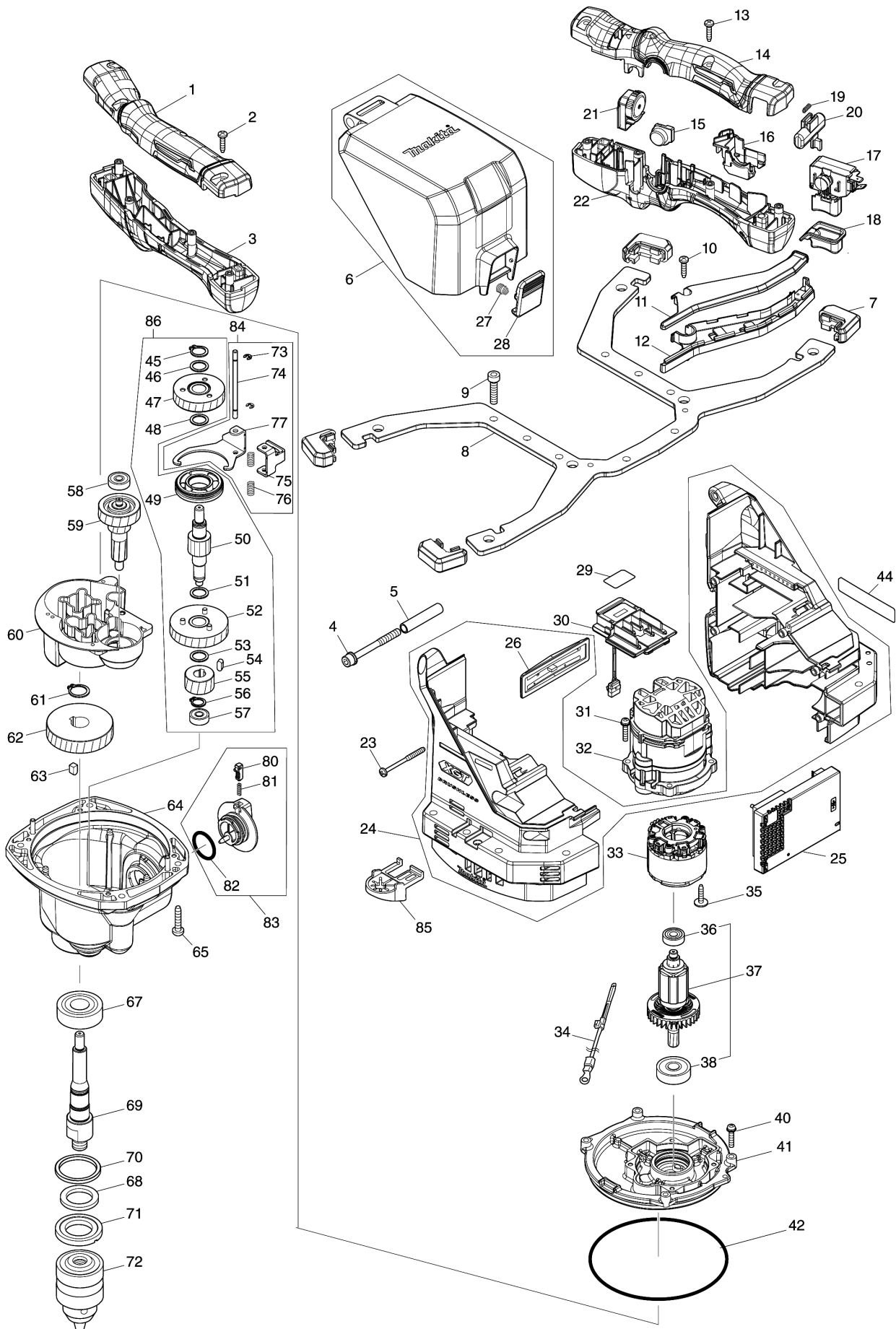


# Model No.UT002G CORDLESS MIXER



## Model No.UT002G CORDLESS MIXER

分解圖號	零件編號	品名	交換	數量	New/Old	選擇1	選擇2	註記
001	183X11-5	LEFT GRIP SET		1				
D10		INC. 3						
002	266326-2	TAPPING SCREW 4X18		4				
003	183X11-5	LEFT GRIP SET		1				
D10		INC. 1						
004	922383-7	H.S.H.BOLT M6X60 WITH WR		1				
005	257885-7	SLEEVE 6		1				
006	122D95-8	COVER L ASSEMBLY		1				
D10		INC. 27,28						
007	422906-6	HANDLE GUARD		4				
008	347A13-9	HANDLE		1				
009	922342-1	HEX. SOCKET HEAD BOLT M6X25		8				
010	266326-2	TAPPING SCREW 4X18		1				
011	413J45-3	HANDLE COVER		1				
012	413J46-1	LEAD HOLDER		1				
013	266326-2	TAPPING SCREW 4X18		4				
014	183X10-7	RIGHT GRIP SET		1				
D10		INC. 22						
015	458819-5	LOCK ON BUTTON COVER		1				
016	413J58-4	SWITCH SUPPORT		1				
017	650035-7	SWITCH C3JW-4BM-1L-R		1				
018	458816-1	SWITCH COVER		1				
019	231433-0	COMPRESSION SPRING 4		1				
020	412551-5	LOCK OFF BUTTON		1				
021	620E29-6	DIAL CIRCUIT		1				
022	183X10-7	RIGHT GRIP SET		1				
D10		INC. 14						
023	266467-4	TAPPING SCREW 4X50		6				
024	183X13-1	HOUSING SET		1				
C10	263005-3	RUBBER PIN 6		2				
C20	8032A7-2	XGT LOGO LABEL		1				
D10		INC. 26						
025	620J16-5	CONTROLLER		1				
026	413J49-5	LOGO PLATE		1				
027	232676-7	COMPRESSION SPRING 7		1				
028	413J53-4	HOOK		1				
029	8584F8-2	UT002G SERIAL NO. LABEL		1				
030	632P49-4	TERMINAL UNIT		1				
031	911138-5	P.H.SCREW M4X20 WITH WR		4				

032	413J44-5	MOTOR HOUSING	1				
033	629B88-9	STATOR	1				
035	265620-9	TAPPING SCREW FLANGE 4X18	2				
036	211022-7	BALL BEARING 607ZZ	1				
037	519789-4	ROTOR ASSEMBLY	1				
D10		INC. 36,38					
038	211087-9	BALL BEARING 6200DDW	1				
040	911138-5	P.H.SCREW M4X20 WITH WR	4				
041	136830-4	MOTOR BRACKET ASSY	1				
C10	213406-5	O RING 30	1				
042	213A27-9	O-RING 115	1				
044	8584F1-6	UT002G NAME PLATE	1				
045	961052-5	RETAINING RING (EXT) S-12	1				
046	267104-3	FLAT WASHER 12	1				
047	141K49-8	SPUR GEAR 42 COMPLETE	1				
048	267104-3	FLAT WASHER 12	1				
049	313437-5	SPEED CHANGE RING	1				
050	327A22-4	SHAFT	1				
051	267104-3	FLAT WASHER 12	1				
052	141K50-3	SPUR GEAR 49 COMPLETE	1				
053	267104-3	FLAT WASHER 12	1				
054	254239-9	KEY 4	1				
055	227984-9	HELICAL GEAR 13	1				
056	961006-2	RETAINING RING S-10	1				
057	211012-0	BALL BEARING 606ZZ	1				
058	211016-2	BALL BEARING 626LLB	1				
059	141N61-6	SPUR GEAR 10-16 COMPLETE	1				
060	413J48-7	GEAR COVER	1				
061	961056-7	RETAINING RING S-16	1				
062	227985-7	HELICAL GEAR 34	1				
063	254211-1	KEY 5	1				
064	136891-4	GEAR CASE ASSEMBLY	1				
C10	213507-9	O RING 40	1				
065	266459-3	TAPPING SCREW 5X25	4				
067	211278-2	BALL BEARING 6203DDW	1				
068	422905-8	FELT RING 24	1				
069	327A23-2	SPINDLE	1				
070	257884-9	RING 33	1				
071	285821-3	BEARING RETAINER 22-41	1				
072	763183-4	DRILL CHUCK S13	1				
073	961017-7	STOP RING E-3	2				
074	256A24-2	PIN 4	1				

075	347A11-3	CHANGE PLATE A		1			
076	234218-3	COMPRESSION SPRING 5		2			
077	347A12-1	CHANGE PLATE B		1			
080	161568-2	LOCK BUTTON COMPLETE		1			
081	232344-2	COMPRESSION SPRING 3		1			
082	213370-0	O RING 22		1			
083	136822-3	CHANGE LEVER ASSEMBLY		1			
D10		INC. 80-82					
084	136821-5	CHANGE PLATE ASSEMBLY		1			
D10		INC. 73-77					
085	422975-7	KEY HOLDER		1			
086	136892-2	GEAR ASSEMBLY		1			
D10		INC. 45-57					
A01	763259-7	CHUCK KEY S13		1			
A02	265440-1	HEX. BOLT M8X16		1			
A03	A-43717	MIXING BLADE		1			
D10		INC. A02					
A04	781006-4	WRENCH 13		1			
A05	781010-3	WRENCH 19		2			
A06	783025-6	HEX.WRENCH 6		1			
A08	327B34-3	SHAFT HOLDER 1/2-M12		1			
A09	A-43773	SHAFT COMPLETE		1			
F01	1911R6-2	COVER L SET		1			

Please order the parts with part number.

Print Date 2022/11/24