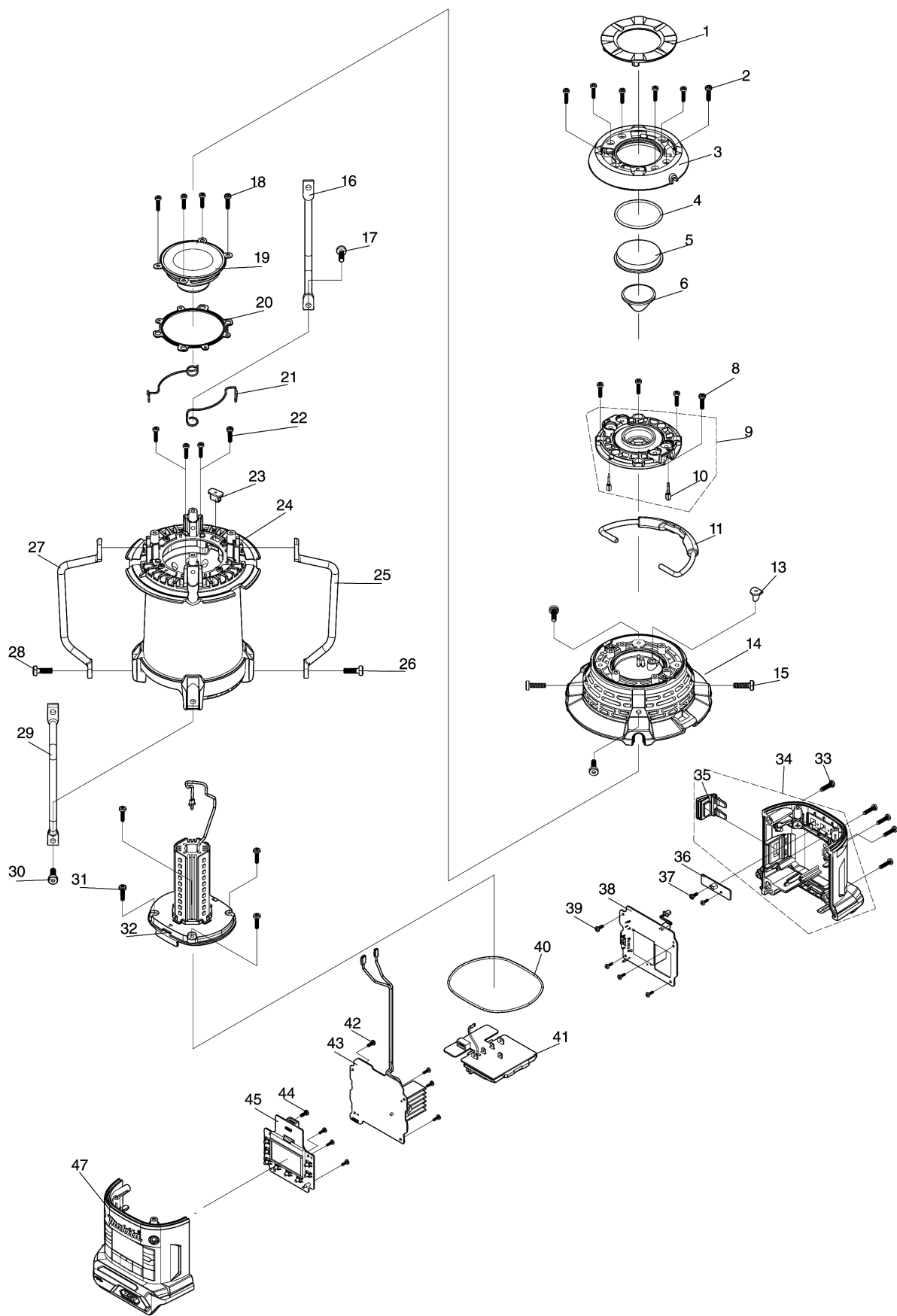


# Model No.MR010G CORDLESS RADIO WITH LANTERN



## Model No.MR010G CORDLESS RADIO WITH LANTERN

| 分解圖<br>號 | 零件編號       | 品名                                | 交換 | 數量 | New/Old | 選擇1 | 選擇2 | 註記 |
|----------|------------|-----------------------------------|----|----|---------|-----|-----|----|
| 001      | SE00001126 | TOP PANEL                         |    | 1  |         |     |     |    |
| 002      | SE00001127 | TAPPING SCREW 3X12(ZK)            |    | 6  |         |     |     |    |
| 003      | SE00001128 | TOP COVER                         |    | 1  |         |     |     |    |
| 004      | SE00001129 | O RING D37.8 W2                   |    | 1  |         |     |     |    |
| 005      | SE00001130 | FLASH LIGHT LENS                  |    | 1  |         |     |     |    |
| 006      | SE00001131 | LED LENS                          |    | 1  |         |     |     |    |
| 008      | SE00001127 | TAPPING SCREW 3X12(ZK)            |    | 4  |         |     |     |    |
| 009      | SE00001133 | LED HOLDER+PCB F ASS'Y            |    | 1  |         |     |     |    |
| D10      |            | INC. 10                           |    |    |         |     |     |    |
| 010      | SE00001136 | RUBBER PAD A                      |    | 2  |         |     |     |    |
| 011      | SE00001137 | HANDLE                            |    | 1  |         |     |     |    |
| 013      | SE00001138 | WATERPROOF PLUG A                 |    | 1  |         |     |     |    |
| 014      | SE00001139 | TOP CABINET ASS'Y                 |    | 1  |         |     |     |    |
| 015      | SE00001140 | HEX SOCKET HEAD BOLT<br>M4X16     |    | 4  |         |     |     |    |
| 016      | SE00001141 | FIXER BAR                         |    | 1  |         |     |     |    |
| 017      | SE00001216 | HEX SOCKET HEAD BOLT<br>M4X13     |    | 1  |         |     |     |    |
| 018      | SE00001127 | TAPPING SCREW 3X12(ZK)            |    | 4  |         |     |     |    |
| 019      | SE00001143 | SPEAKER                           |    | 1  | *       |     |     |    |
| 019-1    | SE00001143 | SPEAKER                           | O  | 1  |         |     |     |    |
| 020      | SE00001146 | PACKING                           |    | 1  |         |     |     |    |
| 021      | SE00001147 | ANT WIRE                          |    | 2  |         |     |     |    |
| 022      | SE00001148 | SCREW STB 3X12(MC)                |    | 4  |         |     |     |    |
| 023      | SE00001149 | WATERPROOF PLUG B                 |    | 1  |         |     |     |    |
| 024      | SE00001150 | LAMP COVER ASS'Y                  |    | 1  |         |     |     |    |
| 025      | SE00001141 | FIXER BAR                         |    | 1  |         |     |     |    |
| 026      | SE00001216 | HEX SOCKET HEAD BOLT<br>M4X13     |    | 1  |         |     |     |    |
| 027      | SE00001141 | FIXER BAR                         |    | 1  |         |     |     |    |
| 028      | SE00001216 | HEX SOCKET HEAD BOLT<br>M4X13     |    | 1  |         |     |     |    |
| 029      | SE00001141 | FIXER BAR                         |    | 1  |         |     |     |    |
| 030      | SE00001216 | HEX SOCKET HEAD BOLT<br>M4X13     |    | 1  |         |     |     |    |
| 031      | SE00001218 | HEX SOCKET HEAD BOLT<br>3X12      |    | 4  |         |     |     |    |
| 032      | SE00001221 | PCB D+E ASSY                      |    | 1  |         |     |     |    |
| 033      | SE00001127 | TAPPING SCREW 3X12(ZK)            |    | 5  |         |     |     |    |
| 034      | SE00001223 | REAR BOTTOM CABINET<br>ASS'Y(OLIV |    | 1  |         |     |     |    |
| D10      |            | INC. 35                           |    |    |         |     |     |    |
| 035      | SE00001158 | USB RUBBER COVER                  |    | 1  |         |     |     |    |
| 036      | SE00001159 | PCB K ASS'Y                       |    | 1  |         |     |     |    |

|     |            |                                   |  |   |  |  |  |  |
|-----|------------|-----------------------------------|--|---|--|--|--|--|
| 037 | SE00001160 | TAPPING SCREW 2X6                 |  | 2 |  |  |  |  |
| 038 | SE00001161 | PCB H ASS'Y (USB JACK)            |  | 1 |  |  |  |  |
| 039 | SE00001160 | TAPPING SCREW 2X6                 |  | 4 |  |  |  |  |
| 040 | SE00001163 | BOTTOM CABINET<br>PACKING D1.5xL2 |  | 1 |  |  |  |  |
| 041 | SE00001164 | PCB P+TERMINAL ASSY               |  | 1 |  |  |  |  |
| 042 | SE00001160 | TAPPING SCREW 2X6                 |  | 4 |  |  |  |  |
| 043 | SE00001227 | PCB A ASS'Y                       |  | 1 |  |  |  |  |
| 044 | SE00001160 | TAPPING SCREW 2X6                 |  | 4 |  |  |  |  |
| 045 | SE00001231 | PCB C ASS'Y(TW)                   |  | 1 |  |  |  |  |
| 047 | SE00001236 | FRONT BOTTOM CABINET<br>ASS'Y(OLI |  | 1 |  |  |  |  |
| A01 | SE00001178 | STRAP WITH HOOK                   |  | 1 |  |  |  |  |

Please order the parts with part number.

Print Date 2022/11/14