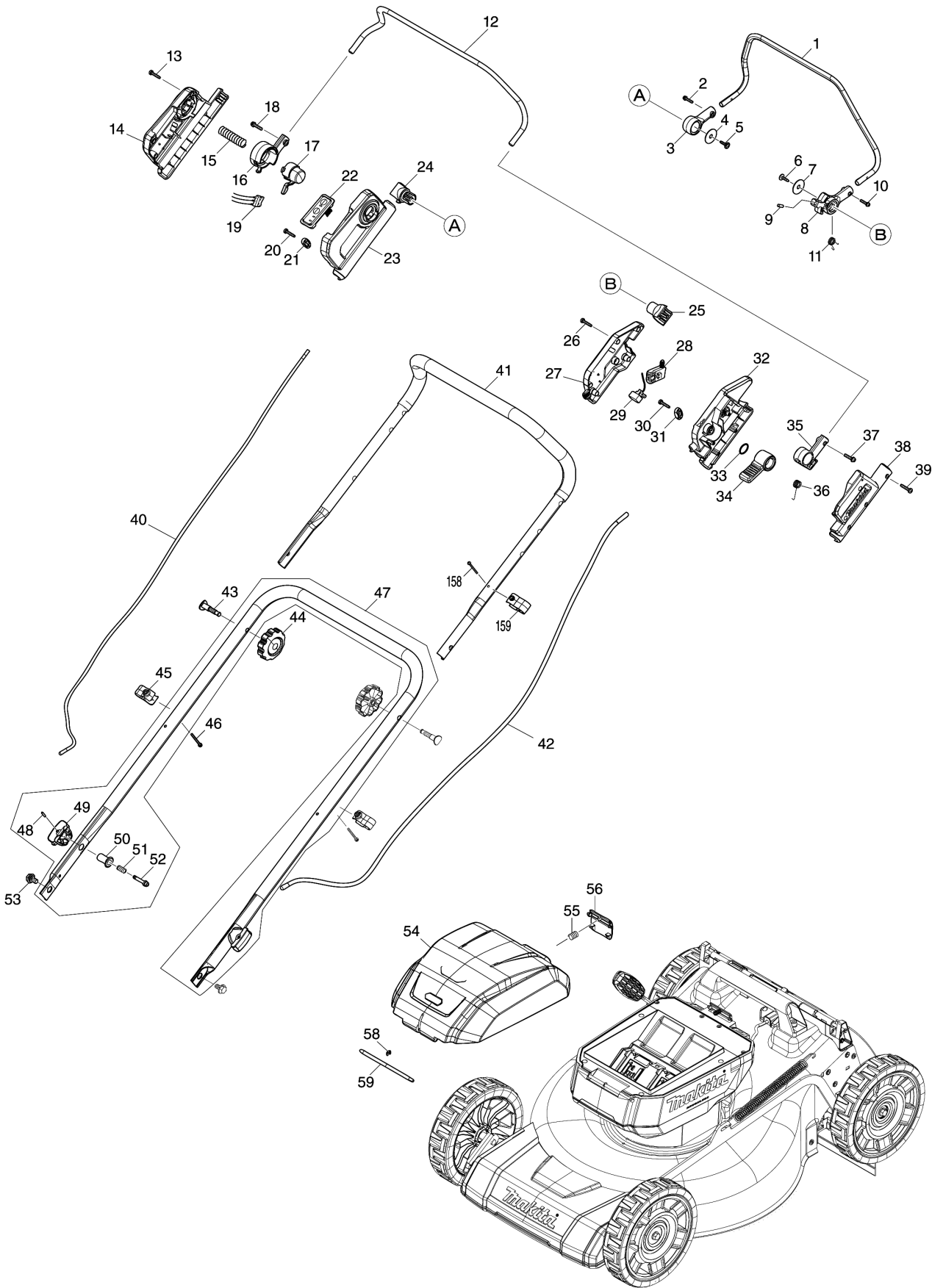
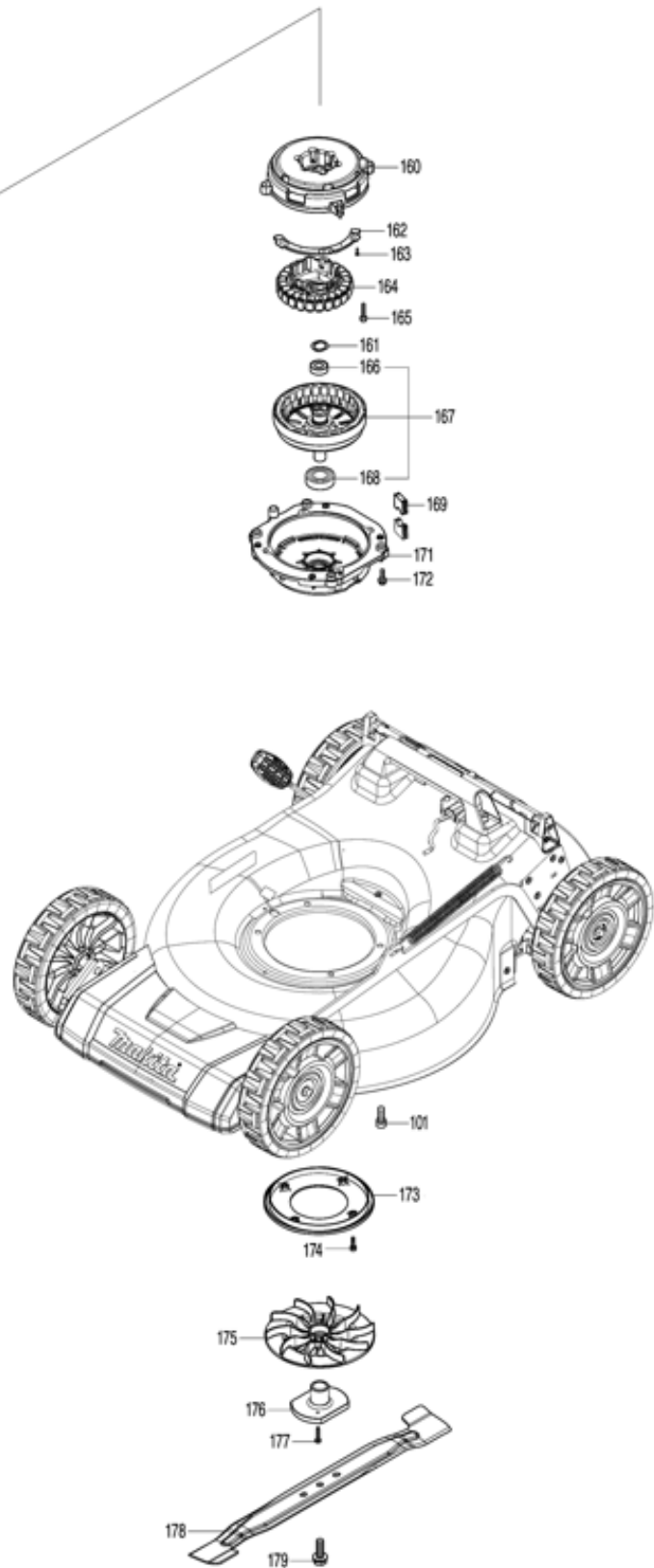
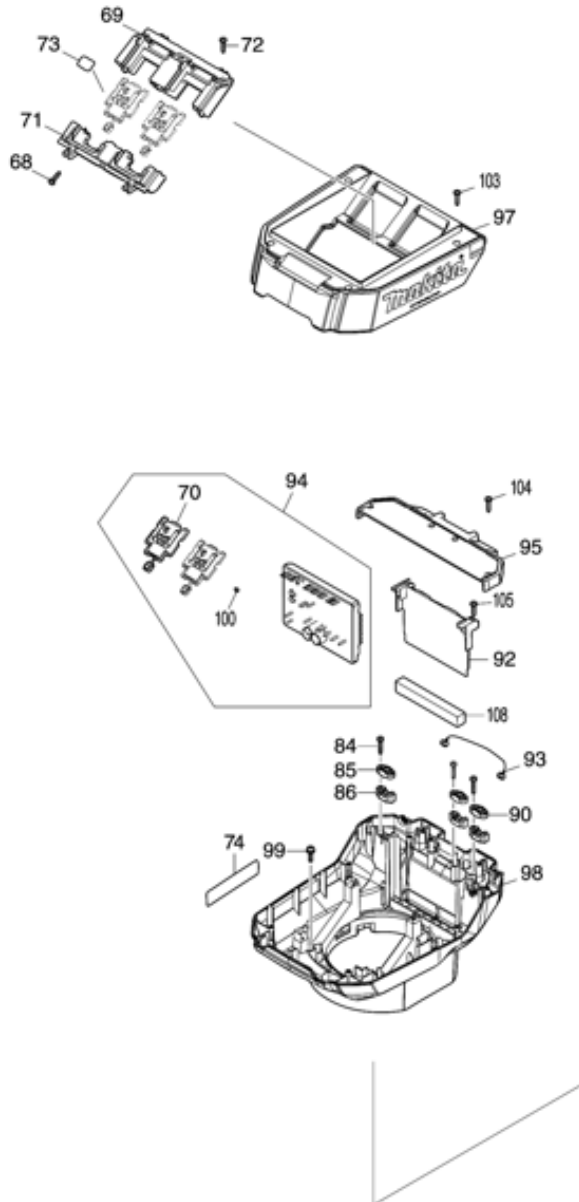


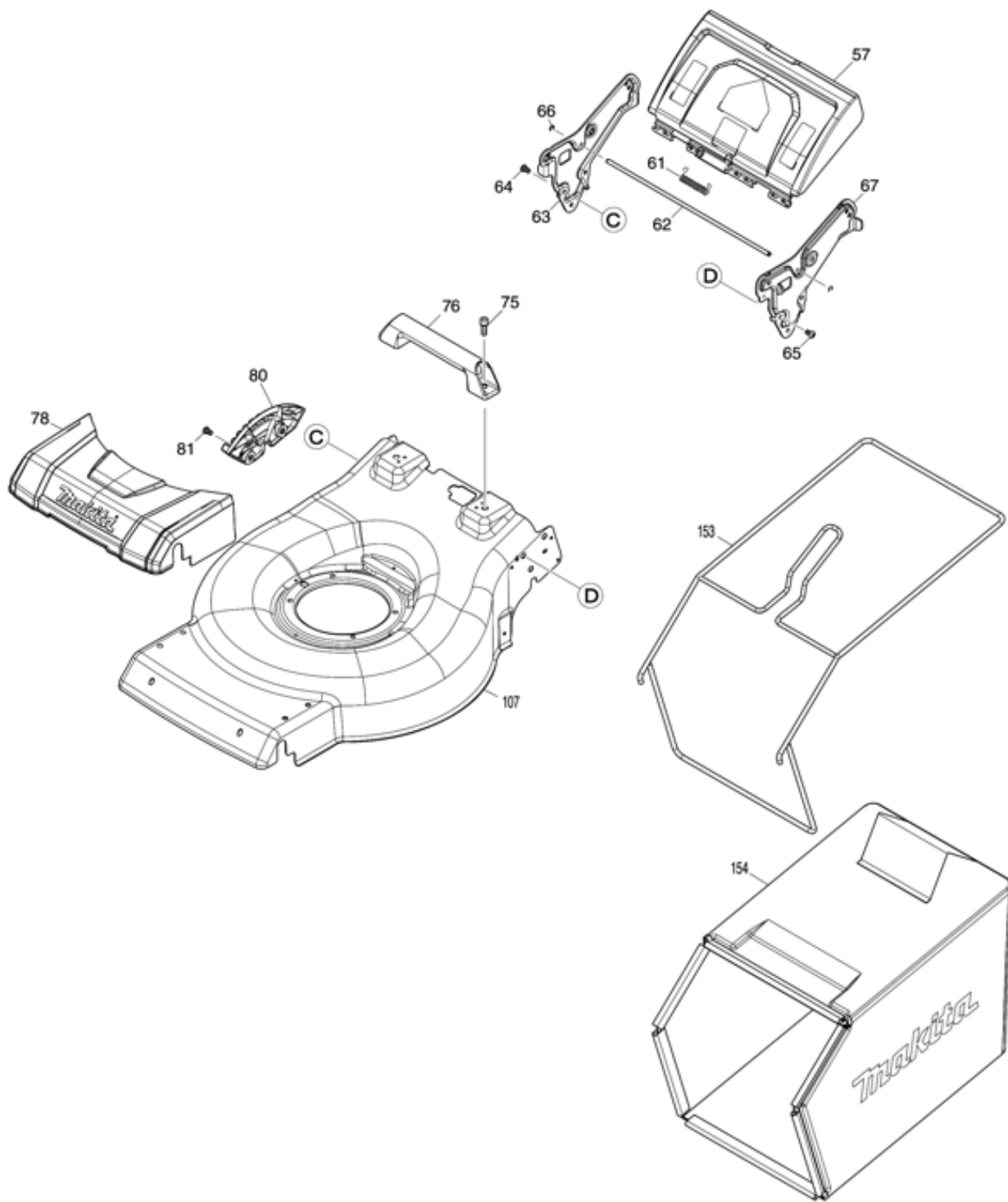
# Model No. LM002G 530MM CORDLESS LAWN MOWER



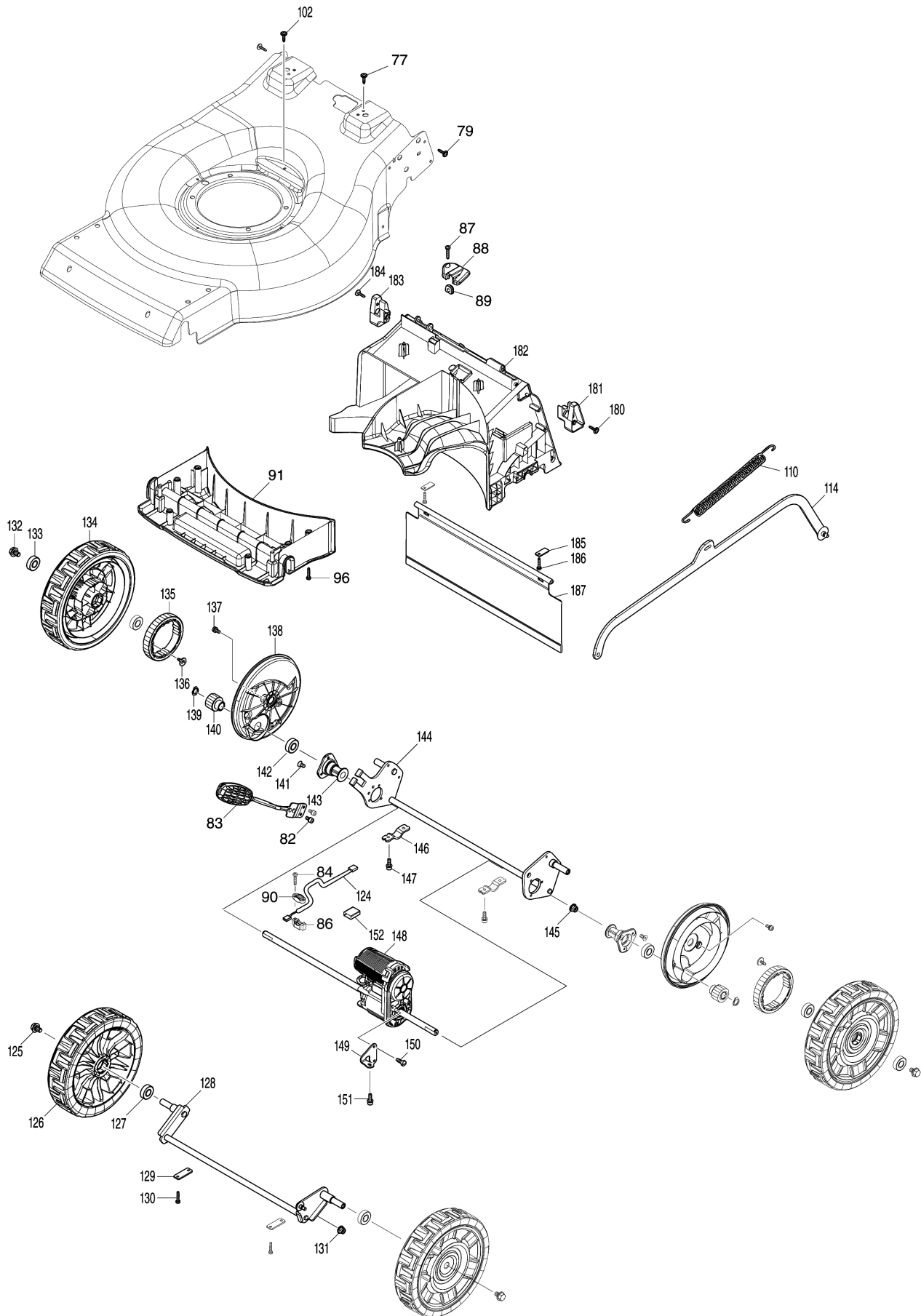
Model No.LM002G 530MM CORDLESS LAWN MOWER



Model No.LM002G 530MM CORDLESS LAWN MOWER



# Model No. LM002G 530MM CORDLESS LAWN MOWER



## Model No.LM002G 530MM CORDLESS LAWN MOWER

分解圖號	零件編號	品名	交換	數量	New/Old	選擇1	選擇2	註記
001	327425-6	DRIVING LEVER		1				
002	911138-5	平頭螺絲 M4X20 WR		1				
003	459858-8	DRIVING LEVER SUPPORT R		1				
C10	931102-0	HEX. NUT M4		1				
004	253814-8	平墊圈 8		1				
005	265620-9	法蘭自攻螺絲 4X18		1				
006	265620-9	法蘭自攻螺絲 4X18		1				
007	253814-8	平墊圈 8		1				
008	413B10-4	DRIVING LEVER SUPPORT L		1				
C10	931102-0	HEX. NUT M4		1				
009	268225-4	插銷 5		1				
010	911138-5	平頭螺絲 M4X20 WR		1				
011	232566-4	TORSION SPRING 12		1				
012	327424-8	SWITCH LEVER		1				
013	266424-2	扁頭自攻螺絲 4X20		6				
014	183X93-7	SWITCH BOX SET		1				
C10	8044A1-9	INDICATION LABEL		1				
D10		INC. 23						
015	231227-3	壓縮彈簧 15		1				
016	459856-2	SWITCH LEVER SUPPORT R		1				
C10	931102-0	HEX. NUT M4		1				
017	459857-0	LOCK OFF BUTTON		1				
018	911138-5	平頭螺絲 M4X20 WR		1				
019	632T11-3	SWITCH UNIT		1				
020	266424-2	扁頭自攻螺絲 4X20		2				
021	687123-7	STRAIN RELIEF		1				
022	141M31-9	SWITCH CIRCUIT COMPLETE		1				
C10	539258-9	SWITCH PLATE ASS'Y		1				
C20	266490-9	平頭PT自攻螺絲 2X6		3				
023	183X93-7	SWITCH BOX SET		1				
C10	8044A1-9	INDICATION LABEL		1				
D10		INC. 14						
024	413A98-8	DRIVING LEVER HOLDER		1				
025	413A98-8	DRIVING LEVER HOLDER		1				
026	266424-2	扁頭自攻螺絲 4X20		5				
027	183U35-3	LEVER BOX SET		1				
D10		INC. 38						
028	651083-9	開關 C3XA-1PSPM		1				
029	620J45-8	DIAL CIRCUIT		1				

030	266424-2	扁頭自攻螺絲 4X20		2			
031	687123-7	STRAIN RELIEF		1			
032	413A95-4	LEVER BOX C		1			
033	213A12-2	O-RING 18		1			
034	413B01-5	SPEED LEVER		1			
035	459863-5	SWITCH LEVER SUPPORT L		1			
C10	931102-0	HEX. NUT M4		1			
036	232575-3	TORSION SPRING 12		1			
037	911138-5	平頭螺絲 M4X20 WR		1			
038	183U35-3	LEVER BOX SET		1			
D10		INC. 27					
039	266424-2	扁頭自攻螺絲 4X20		5			
040	699215-0	POWER SUPPLY CORD UNIT		1			
041	327871-3	HANDLE UPPER		1			
042	699216-8	POWER SUPPLY CORD UNIT		1			
043	265C08-1	FLAT HEAD BOLT M8X50		2			
044	265C06-5	THUMB NUT M8		2			
045	413L52-8	CLAMP		2			
C10	931102-0	HEX. NUT M4		1			
046	911168-6	平頭螺絲 M4X40 WR		2			
047	122D38-0	HANDLE LOWER ASSEMBLY		1			
D10		INC. 48-52					
048	258004-8	彈簧銷 2.5-16		2			
049	413943-1	KNOB		2			
050	327A66-4	LOCK HOLDER		2			
051	234121-8	壓縮彈簧 8		2			
052	327A65-6	LOCK PIN		2			
053	265C07-3	HEX. BOLT M8		2			
054	136880-9	BATTERY COVER ASS'Y		1			
C10	8046H9-4	INDICATION LABEL		1			
C20	8032A7-2	XGT LOGO LABEL		1			
055	231037-8	壓縮彈簧 7		1			
056	459852-0	LOCK LEVER		1			
057	141M22-0	REAR FLAP COMPLETE		1			
C10	8047H4-0	CAUTION LABEL		1			
058	961018-5	止動環 (EXT) E-5		1			
059	327536-7	ROD 6		1			
061	232721-8	TORSION SPRING 8		1			
062	327A64-8	ROD 6		1			
063	347A56-1	HANDLE BRACKET R		1			
064	265B20-5	HEX.SOCKET BUTTON HEAD BOLT M8		3			
		HEX.SOCKET BUTTON					

065	265B20-5	HEAD BOLT M8	3			
066	961018-5	止動環 (EXT) E-5	2			
067	347A55-3	HANDLE BRACKET L	1			
068	266424-2	扁頭自攻螺絲 4X20	3			
069	183X12-3	TERMINAL HOUSING SET	1			
C10	263005-3	橡膠銷 6	4			
D10		INC. 71				
070	632T08-2	TERMINAL UNIT	2			
071	183X12-3	TERMINAL HOUSING SET	1			
C10	263005-3	橡膠銷 6	4			
D10		INC. 69				
072	266424-2	扁頭自攻螺絲 4X20	4			
073	8582C8-9	LM002G SERIAL NO. LABEL	1			
074	8582C2-1	LM002G NAME PLATE	1			
075	922441-9	內六角螺柱 M8X25 W	2			
076	413L42-1	REAR GRIP	1			
077	265620-9	法蘭自攻螺絲 4X18	2			
078	413L33-2	FRONT COVER	1			
079	265620-9	法蘭自攻螺絲 4X18	7			
080	413L43-9	HEIGHT ADJUST PLATE	1			
081	265B20-5	HEX.SOCKET BUTTON HEAD BOLT M8	2			
082	922311-2	內六角螺柱 M6X12 W	2			
083	162B98-8	HEIGHT ADJUST LEVER COMPLETE	1			
084	266424-2	扁頭自攻螺絲 4X20	6			
085	687123-7	STRAIN RELIEF	2			
086	687051-6	STRAIN RELIEF	3			
087	266424-2	扁頭自攻螺絲 4X20	1			
088	413L50-2	LEAD COVER	1			
089	422526-6	GROMMET	1			
090	687124-5	STRAIN RELIEF	1			
091	413L35-8	DECK UNDER COVER F	1			
092	413L30-8	INNER PLATE	1			
093	620J46-6	LED CIRCUIT	1			
094	539252-1	CONTROLLER ASS'Y	1			
D10		INC. 70, 100				
095	141M28-8	COWLING COVER COMPLETE	1			
096	266424-2	扁頭自攻螺絲 4X20	6			
097	413L22-7	COWLING UPPER	1			
098	413L21-9	COWLING LOWER	1			
099	911233-1	平頭螺絲 M5X20 WR	4			
100	652031-1	平頭螺絲 M3X6	4			
101	922441-9	內六角螺柱 M8X25 W	4			

102	265620-9	法蘭自攻螺絲 4X18	1			
103	266424-2	扁頭自攻螺絲 4X20	4			
104	266424-2	扁頭自攻螺絲 4X20	4			
105	266424-2	扁頭自攻螺絲 4X20	2			
107	141S44-6	DECK COMPLETE	1			
108	422956-1	SPONGE	1			
110	232628-8	TENSION SPRING 16	1			
114	347A58-7	CONNECTING ROD	1			
124	699213-4	POWER SUPPLY CORD UNIT	1			
125	265324-3	法蘭六角螺柱 M8X12	2			
126	141M25-4	TIRE 230 COMPLETE	2			
127	210163-6	BALL BEARING 6001DDW	2			
128	162C00-7	FRONT SHAFT	1			
129	347869-4	PLATE	2			
130	266424-2	扁頭自攻螺絲 4X20	4			
131	252301-4	HEX. FLANGE LOCK NUT M6-10	1			
132	265324-3	法蘭六角螺柱 M8X12	2			
133	210163-6	BALL BEARING 6001DDW	4			
134	141M26-2	TIRE 230 COMPLETE	2			
135	227913-2	SPUR GEAR 49	2			
136	265B00-1	TAPPING SCREW FLANGE 4X12	4			
137	911213-7	平頭螺絲 M5X12 WR	4			
138	413L40-5	WHEEL CAP	2			
139	961052-5	扣環(EXT) S-12	2			
140	227A00-3	SPUR GEAR 12	2			
141	251951-2	內六角沉頭螺絲 M5X10	6			
142	210163-6	BALL BEARING 6001DDW	2			
143	313390-5	REAR SHAFT HOLDER	2			
144	162C02-3	REAR SHAFT	1			
145	252301-4	HEX. FLANGE LOCK NUT M6-10	1			
146	347865-2	CLAMP 19	2			
147	922223-9	內六角螺柱 M5X16 WR	4			
148	122E54-8	DRIVE UNIT	1			
149	347A59-5	BRACKET	1			
150	266388-0	扁頭自攻螺絲 5X16	2			
151	922223-9	內六角螺柱 M5X16 WR	1			
152	683A20-1	POLYOLEFIN TUBE	1			
153	162C45-5	GRASS CATCHER BRACKET	1			
154	162C13-8	GRASS CATCHER	1			
158	911163-6	平頭螺絲 M4X35 WR	1			
159	413944-9	CLAMP	1			



C10	931102-0	HEX. NUT M4		1			
160	141M30-1	STATOR BASE COMPLETE		1			
161	253455-0	WAVE WASHER 19		1			
162	620J44-0	CONTROLLER B		1			
163	265C89-5	FLAT HEAD SCREW M3X10		3			
164	629B84-7	STATOR		1			
165	911148-2	平頭螺絲 M4X25 WR		6			
166	210059-1	BALL BEARING 6000DDW		1			
167	519785-2	ROTOR ASS'Y		1			
D10		INC. 166,168					
168	211332-2	BALL BEARING 6004LLU		1			
169	422955-3	GROMMET		2			
171	312D43-7	BRACKET		1			
172	911233-1	平頭螺絲 M5X20 WR		4			
173	413L53-6	BAFFLE PLATE		1			
174	911126-2	平頭螺絲 M4X16 W		4			
175	240205-2	FAN 170		1			
176	312D48-7	BLADE SUPPORT 530		1			
177	266424-2	扁頭自攻螺絲 4X20		2			
178	191V96-5	BLADE 530 SET		1			
179	265A69-9	HEX. BOLT M10X35 WITH WG		1			
180	265620-9	法蘭自攻螺絲 4X18		1			
181	183X16-5	GRASS GUARD SET		1			
D10		INC. 183					
182	413L37-4	DECK UNDER COVER R		1			
C10	252329-2	SQUARE NUT M5		5			
183	183X16-5	GRASS GUARD SET		1			
D10		INC. 181					
184	265620-9	法蘭自攻螺絲 4X18		1			
A01	327589-6	ROD 6		1			
A02	413L55-2	MULCHING PLUG 530		1			
A03	413L57-8	DISCHARGE CHUTE		1			
A04	782210-8	套筒扳手 17		1			

Please order the parts with part number.

Print Date 2023/3/16