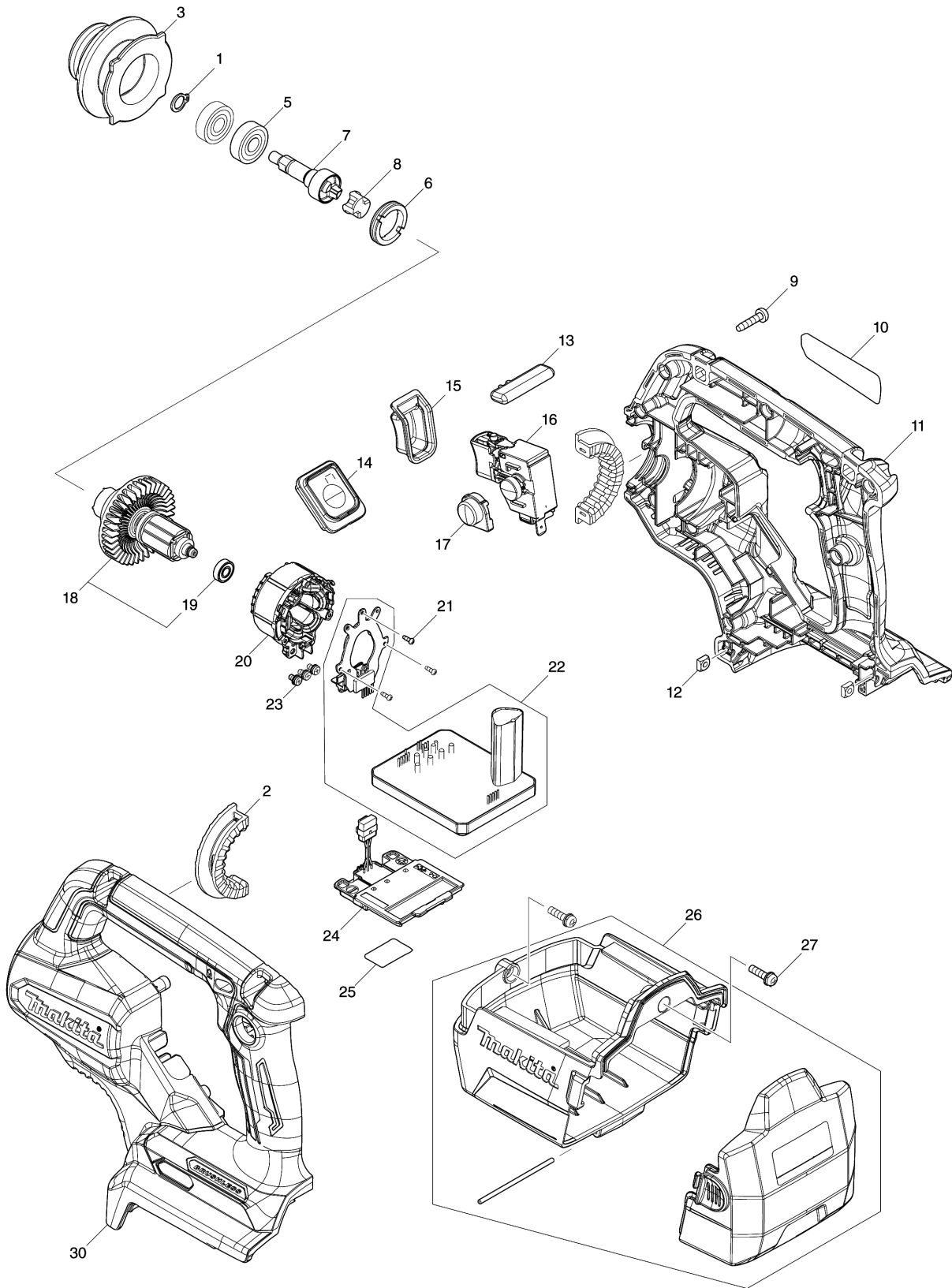


Model No.VR001G CORDLESS CONCRETE VIBRATOR



Model No.VR001G CORDLESS CONCRETE VIBRATOR

| 分解圖號 | 零件編號 | 品名 | 交換 | 數量 | New/Old | 選擇1 | 選擇2 | 註記 |
|------|----------|-------------------------|----|----|---------|-----|-----|----|
| 001 | 961005-4 | RETAINING RING S-9 | | 1 | | | | |
| 002 | 422910-5 | RUBBER RING | | 2 | | | | |
| 003 | 313434-1 | HOSE HOLDER | | 1 | | | | |
| 005 | 210051-7 | BALL BEARING 609LLB | | 2 | | | | |
| 006 | 285053-2 | BEARING RETAINER 19-26 | | 1 | | | | |
| 007 | 141K76-5 | SPINDLE COMPLETE | | 1 | | | | |
| 008 | 424833-3 | SPACER | | 1 | | | | |
| 009 | 266045-0 | TAPPING SCREW 4X20 | | 11 | | | | |
| 010 | 858L48-6 | VR001G NAME PLATE | | 1 | | | | |
| 011 | 183V84-6 | HOUSING SET | | 1 | | | | |
| C10 | 8005T5-8 | XGT LOGO LABEL | | 1 | | | | |
| C20 | 263005-3 | RUBBER PIN 6 | | 2 | | | | |
| D10 | | INC. 30 | | | | | | |
| 012 | 252173-7 | SQUARE NUT | | 2 | | | | |
| 013 | 458822-6 | LOCK LEVER | | 1 | | | | |
| 014 | 141K86-2 | SWITCH CIRCUIT COMPLETE | | 1 | | | | |
| C10 | 8055V0-7 | SWITCH LABEL | | 1 | | | | |
| 015 | 422966-8 | SWITCH COVER | | 1 | | | | |
| 016 | 651493-0 | SWITCH C3JW-4CM-1L | | 1 | | | | |
| 017 | 458819-5 | LOCK ON BUTTON COVER | | 1 | | | | |
| 018 | 136692-0 | ROTOR ASS'Y | | 1 | | | | |
| D10 | | INC. 19 | | | | | | |
| 019 | 210039-7 | BALL BEARING 695DDW | | 1 | | | | |
| 020 | 629B21-1 | STATOR | | 1 | | | | |
| 021 | 266490-9 | TAPPING SCREW PT 2X6 | | 3 | | | | |
| 022 | 620H53-7 | CONTROLLER | | 1 | | | | |
| 023 | 652069-6 | FLAT HEAD SCREW M3X6 | | 3 | | | | |
| 024 | 632P65-6 | TERMINAL UNIT | | 1 | | | | |
| 025 | 858L51-7 | VR001G SERIAL NO. LABEL | | 1 | | | | |
| 026 | 136704-9 | BATTERY CASE S ASS'Y | | 1 | | | | |
| C10 | 816B52-1 | CAUTION LABEL | | 1 | | | | |
| C20 | 810196-7 | CAUTION LABEL | | 1 | | | | |
| 027 | 911128-8 | P.H.SCREW M4X16 WITH WR | | 2 | | | | |
| 030 | 183V84-6 | HOUSING SET | | 1 | | | | |
| C10 | 8005T5-8 | XGT LOGO LABEL | | 1 | | | | |
| C20 | 263005-3 | RUBBER PIN 6 | | 2 | | | | |
| D10 | | INC. 11 | | | | | | |
| A01 | 781213-9 | WRENCH 8 | | 1 | | | | |

Please order the parts with part number.

Print Date 2022/10/28