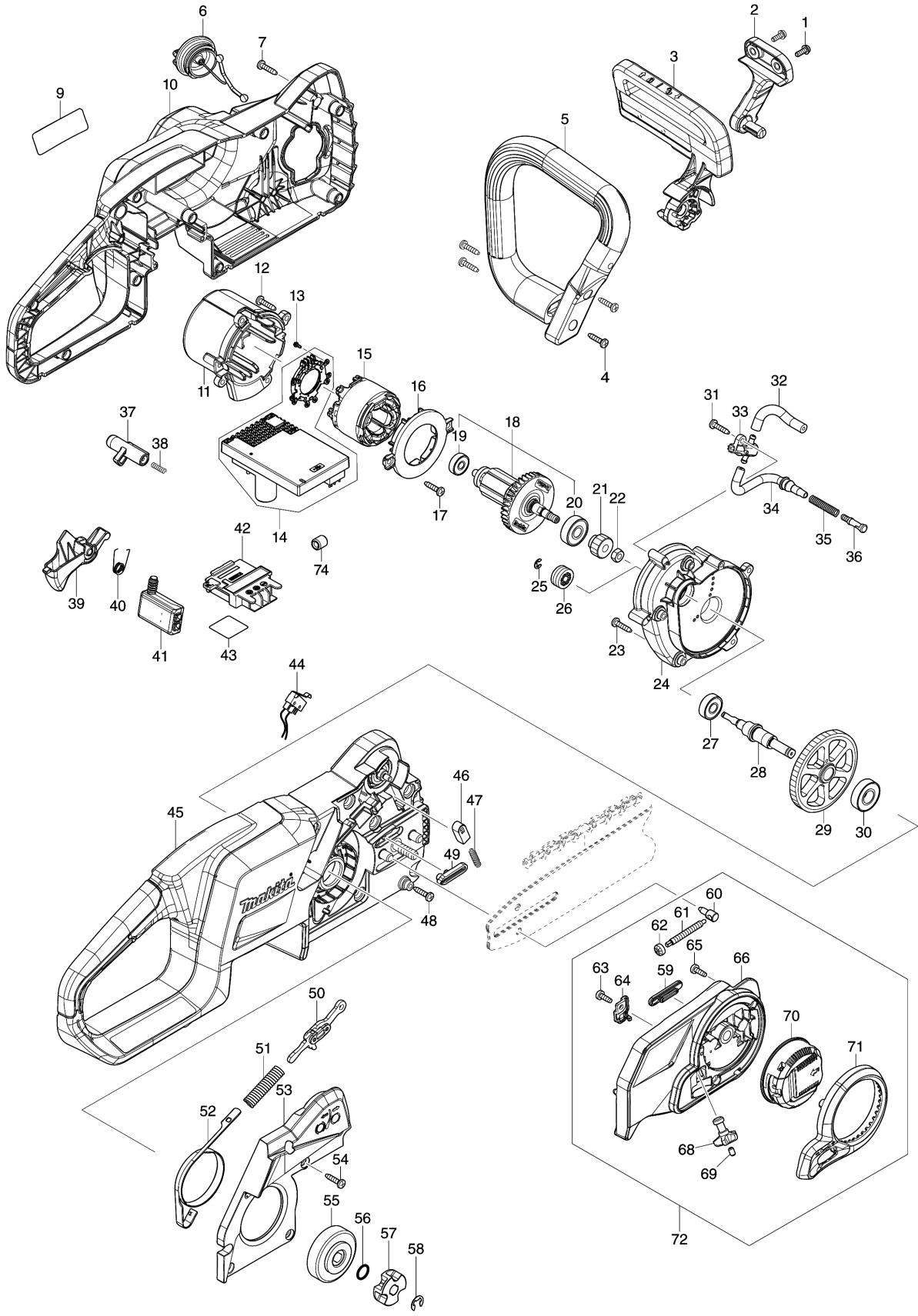


Model No.DUC307 300MM CORDLESS CHAIN SAW



Model No.DUC307 300MM CORDLESS CHAIN SAW

| 分解圖號 | 零件編號 | 品名 | 交換 | 數量 | New/Old | 選擇1 | 選擇2 | 註記 |
|------|----------|------------------------------|----|----|---------|-----|-----|----|
| 001 | 911118-1 | PAN HEAD SCREW M4X12 | | 2 | | | | |
| 002 | 413J87-7 | FRONT HAND GUARD RETAINER | | 1 | | | | |
| 003 | 141K82-0 | FRONT HAND GUARD COMPLETE | | 1 | | | | |
| C10 | 810R21-0 | CAUTION LABEL | | 1 | | | | |
| 004 | 266326-2 | TAPPING SCREW 4X18 | | 4 | | | | |
| 005 | 413J75-4 | FRONT HANDLE | | 1 | | | | |
| 006 | 162C20-1 | TANK CAP COMPLETE | | 1 | | | | |
| C10 | 213A30-0 | O-RING 29.5 | | 1 | | | | |
| 007 | 266326-2 | TAPPING SCREW 4X18 | | 9 | | | | |
| 009 | 858P89-6 | DUC307 NAME PLATE | | 1 | | | | |
| 010 | 183W84-2 | HOUSING SET | | 1 | | | | |
| C10 | 263005-3 | RUBBER PIN 6 | | 2 | | | | |
| C20 | 8057G1-2 | MAKITA LOGO LABEL | | 1 | | | | |
| D10 | | INC. 45 | | | | | | |
| 011 | 413J76-2 | MOTOR HOUSING | | 1 | | | | |
| 012 | 266326-2 | TAPPING SCREW 4X18 | | 4 | | | | |
| 013 | 652119-7 | PAN HEAD SCREW M2X6 | | 6 | | | | |
| 014 | 620J78-3 | CONTROLLER | | 1 | | | | |
| 015 | 629B62-7 | STATOR | | 1 | | | | |
| 016 | 413J86-9 | BAFFLE PLATE | | 1 | | | | |
| 017 | 266326-2 | TAPPING SCREW 4X18 | | 2 | | | | |
| 018 | 519766-6 | ROTOR ASS'Y | | 1 | | | | |
| D10 | | INC. 19,20 | | | | | | |
| 019 | 211499-6 | BALL BEARING 626ZZ | | 1 | | | | |
| 020 | 211092-6 | BALL BEARING 629DDW | | 1 | | | | |
| 021 | 227989-9 | SPUR GEAR 16 | | 1 | | | | |
| 022 | 252186-8 | HEX. NUT M6 | | 1 | | | | |
| 023 | 266326-2 | TAPPING SCREW 4X18 | | 5 | | | | |
| 024 | 413J72-0 | BEARING HOUSING | | 1 | | | | |
| 025 | 961011-9 | STOP RING E-4 | | 1 | | | | |
| 026 | 226884-0 | WORM GEAR | | 1 | | | | |
| 027 | 211032-4 | BALL BEARING 608ZZ | | 1 | | | | |
| 028 | 327A29-0 | SPINDLE | | 1 | | | | |
| 029 | 227990-4 | SPUR GEAR 73 | | 1 | | | | |
| 030 | 210216-1 | BALL BEARING 6001DDW | | 1 | | | | |
| 031 | 266326-2 | TAPPING SCREW 4X18 | | 1 | | | | |
| 032 | 422914-7 | OIL TUBE 3-60 | | 1 | | | | |
| 033 | 141N25-0 | OIL PUMP COMPLETE | | 1 | | | | |
| 034 | 422913-9 | OIL TUBE 3-105 | | 1 | | | | |

Model No.DUC307 300MM CORDLESS CHAIN SAW

| 分解圖號 | 零件編號 | 品名 | 交換 | 數量 | New/Old | 選擇1 | 選擇2 | 註記 |
|------|----------|-------------------------|----|----|---------|-----|-----|----|
| 035 | 231975-4 | SPRING | | 1 | | | | |
| 036 | 452666-6 | NIPPLE | | 1 | | | | |
| 037 | 413J88-5 | LOCK OFF BUTTON | | 1 | | | | |
| 038 | 231469-9 | COMPRESSION SPRING 4 | | 1 | | | | |
| 039 | 413J84-3 | SWITCH LEVER | | 1 | | | | |
| 040 | 233621-5 | TORSION SPRING 9 | | 1 | | | | |
| 041 | 651083-9 | SWITCH C3XA-1PSPM | | 1 | | | | |
| 042 | 643874-2 | TERMINAL | | 1 | | | | |
| 043 | 858P93-5 | DUC307 SERIAL NO. LABEL | | 1 | | | | |
| 044 | 632L48-2 | SWITCH UNIT | | 1 | | | | |
| 045 | 183W84-2 | HOUSING SET | | 1 | | | | |
| C10 | 263005-3 | RUBBER PIN 6 | | 2 | | | | |
| C20 | 8057G1-2 | MAKITA LOGO LABEL | | 1 | | | | |
| D10 | | INC. 10 | | | | | | |
| 046 | 313212-9 | HAND GUARD GUIDE | | 1 | | | | |
| 047 | 234210-9 | COMPRESSION SPRING 3 | | 1 | | | | |
| 048 | 266326-2 | TAPPING SCREW 4X18 | | 1 | | | | |
| 049 | 422915-5 | GROMMET | | 1 | | | | |
| 050 | 141E60-4 | LINK PLATE COMPLETE | | 1 | | | | |
| 051 | 232452-9 | COMPRESSION SPRING 7 | | 1 | | | | |
| 052 | 347864-4 | BRAKE BAND | | 1 | | | | |
| 053 | 413J85-1 | HOUSING R COVER | | 1 | | | | |
| 054 | 266326-2 | TAPPING SCREW 4X18 | | 5 | | | | |
| 055 | 162B78-4 | BRAKE DRUM | | 1 | | | | |
| 056 | 213060-5 | O RING 10 | | 1 | | | | |
| 057 | 221464-7 | SPROCKET 6 | | 1 | | | | |
| 058 | 961013-5 | STOP RING E-7 | | 1 | | | | |
| 059 | 422833-7 | GROMMET | | 1 | | | | |
| 060 | 326310-0 | ADJUST PIN | | 1 | | | | |
| 061 | 327958-1 | ADJUST SCREW | | 1 | | | | |
| 062 | 227496-2 | STRAIGHT BEVEL GEAR 14 | | 1 | | | | |
| 063 | 266427-6 | TAPPING SCREW 4X12 | | 1 | | | | |
| 064 | 413F29-7 | COVER | | 1 | | | | |
| 065 | 266427-6 | TAPPING SCREW 4X12 | | 3 | | | | |
| 066 | 413J73-8 | SPROCKET COVER | | 1 | | | | |
| 068 | 142665-3 | DRIVE GEAR COMPLETE | | 1 | | | | |
| 069 | 263002-9 | RUBBER PIN 4 | | 1 | | | | |
| 070 | 142235-8 | NUT COMPLETE | | 1 | | | | |
| 071 | 454819-3 | NUT COVER | | 1 | | | | |
| 072 | 136784-5 | SPROCKET COVER ASS'Y | | 1 | | | | |
| D10 | | INC. 59-66,68-71 | | | | | | |

Please order the parts with part number.

Print Date 2022/5/23

Model No.DUC307 300MM CORDLESS CHAIN SAW

| 分解圖號 | 零件編號 | 品名 | 交換 | 數量 | New/Old | 選擇1 | 選擇2 | 註記 |
|------|-----------|---------------------|----|----|---------|-----|-----|----|
| A01 | 191G15-1 | GUIDE BAR 12 SET | | 1 | | | | |
| A02 | 413G23-5 | GUIDE BAR CASE 360 | | 1 | | | | |
| A03 | 191H01-8 | SAW CHAIN 12 SET | | 1 | | | | |
| A04 | 199897-3 | OIL VESSEL SET | | 1 | | | | |
| A05 | 195246-2 | SAFETY GOGGLE | | 1 | | | | |
| A06B | ***DC18RC | DC18RC FAST CHARGER | | 1 | | | | |
| D10 | | COMPO-PARTS | | | | | | |
| A07B | 197427-4 | BATTERY BL1860B SET | | 1 | | | | |
| A08 | 195923-6 | ROUND FILE 4.5 SET | | 1 | | | | |
| A09B | 450128-8 | BATTERY COVER | | 1 | | | | |

Please order the parts with part number.

Print Date 2022/5/23