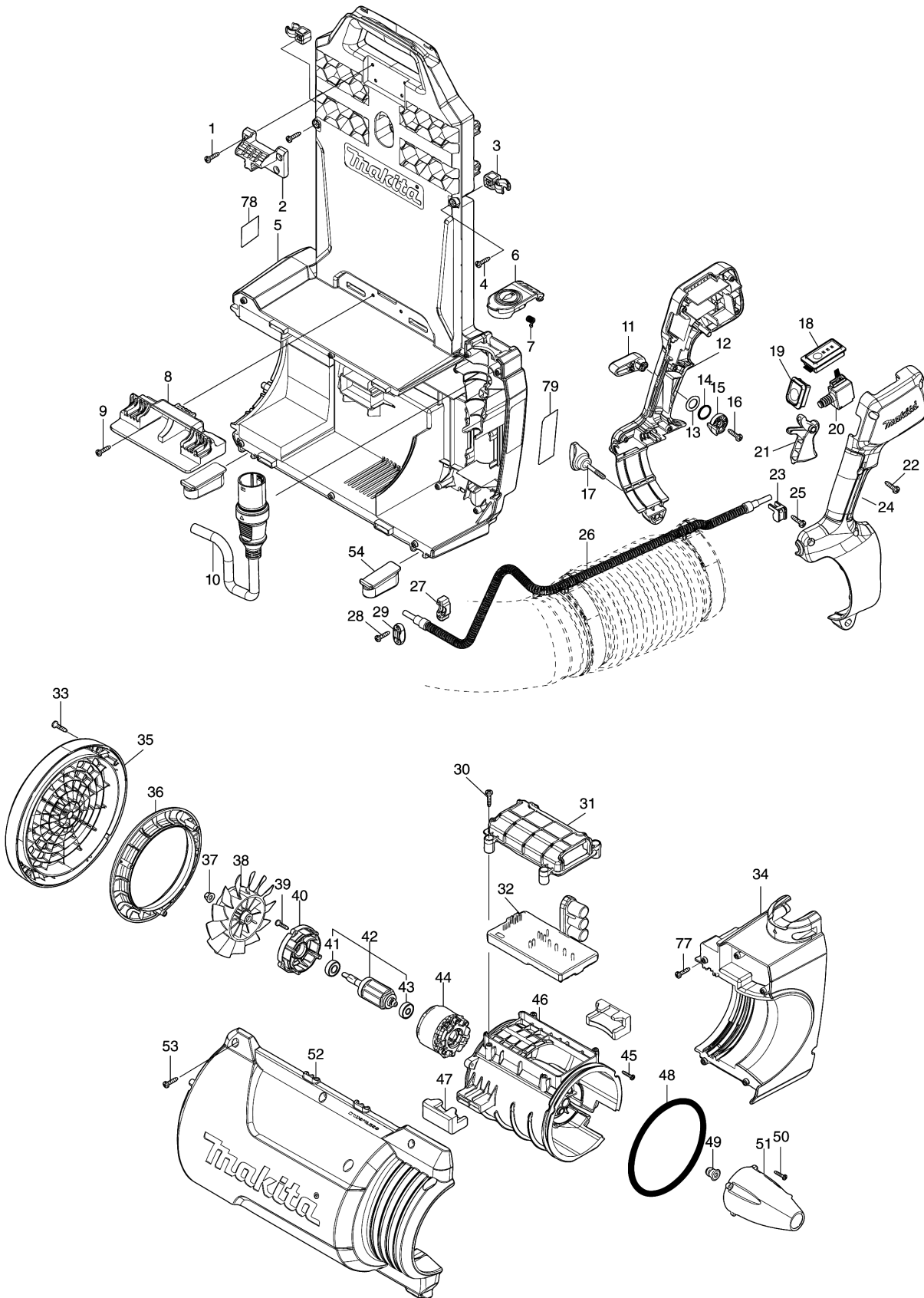
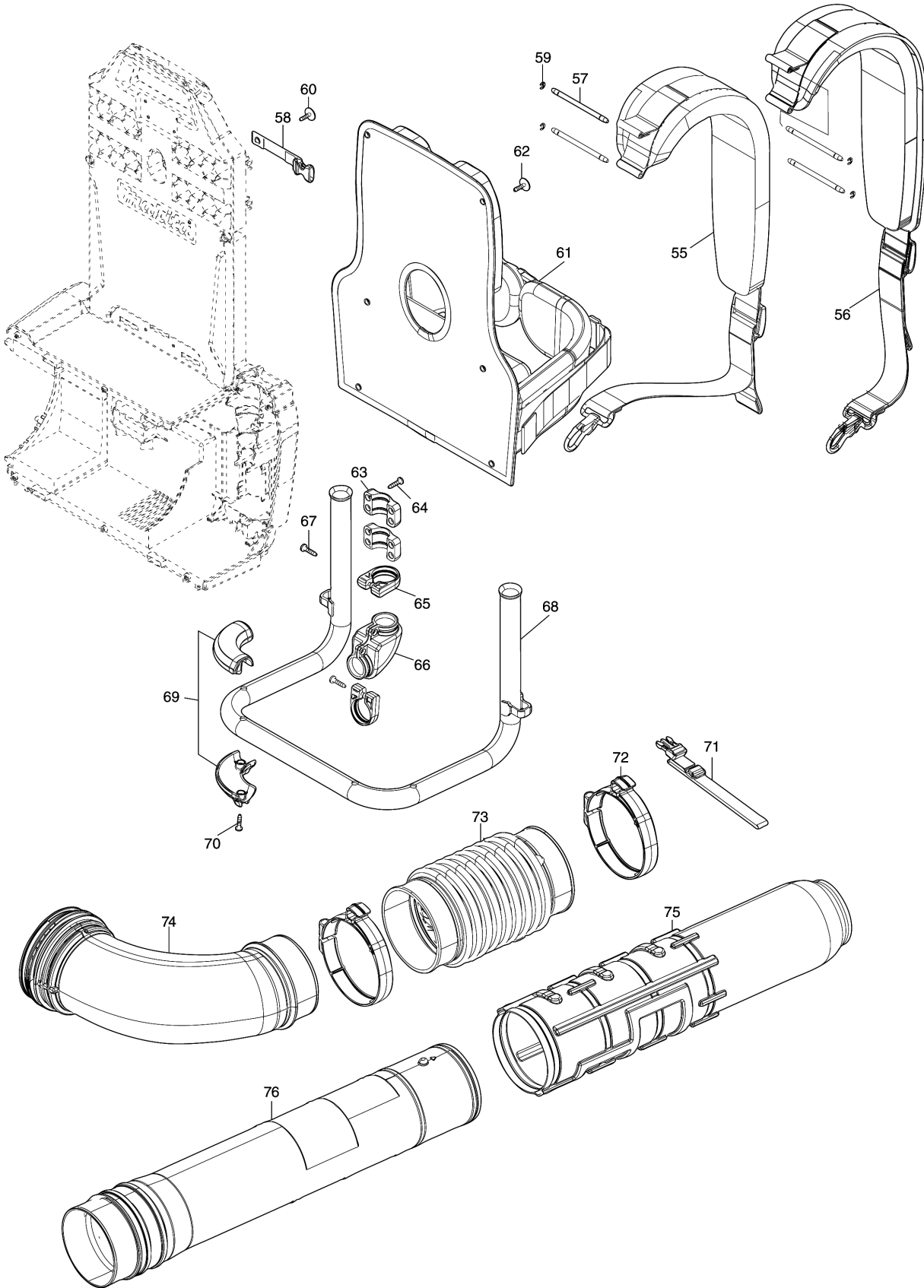


Model No.UB002C BATTERY POWERED BLOWER



Model No.UB002C BATTERY POWERED BLOWER



Model No.UB002C BATTERY POWERED BLOWER

分解圖號	零件編號	品名	交換	數量	New/Old	選擇1	選擇2	註記
001	266326-2	扁頭自攻螺絲 4X18		4				
002	413G75-6	UPPER HOLDER		1				
003	413613-2	HOLDER		2				
004	266326-2	扁頭自攻螺絲 4X18		2				
005	141J75-1	FRAME COMPLETE		1				
006	413G74-8	CONNECTOR COVER		1				
007	232681-4	TORSION SPRING 4		1				
008	413G65-9	BOTTOM HOLDER		1				
009	266326-2	扁頭自攻螺絲 4X18		2				
010	699202-9	POWER SUPPLY CORD UNIT		1				
011	413G66-7	CONTROL LEVER		1				
012	183W35-5	LEVER CASE SET		1				
C10	252103-8	HEX. LOCK NUT M5-8		1				
D10		INC. 24						
013	253798-0	平墊圈 13		1				
014	213154-6	O-形環 14		1				
015	412754-1	LINK		1				
016	266326-2	扁頭自攻螺絲 4X18		1				
017	265C61-7	THUMB SCREW M5X35		1				
018	620J51-3	SWITCH CIRCUIT COMPLETE		1				
019	140X08-7	SWITCH CIRCUIT COMPLETE		1				
C10	810D46-0	開關標籤		1				
020	651492-2	SWITCH C3JR-1A-PAXD3		1				
021	413G68-3	SWITCH LEVER		1				
022	266326-2	扁頭自攻螺絲 4X18		6				
023	687260-7	STRAIN RELIEF		1				
024	183W35-5	LEVER CASE SET		1				
C10	252103-8	HEX. LOCK NUT M5-8		1				
D10		INC. 12						
025	266326-2	扁頭自攻螺絲 4X18		1				
026	699203-7	POWER SUPPLY CORD UNIT		1				
027	687051-6	STRAIN RELIEF		1				
028	266326-2	扁頭自攻螺絲 4X18		2				
029	687124-5	STRAIN RELIEF		1				
030	266326-2	扁頭自攻螺絲 4X18		4				
031	413G73-0	CONTROLLER CASE COVER		1				
032	620K47-0	CONTROLLER COMPLETE		1				

Model No.UB002C BATTERY POWERED BLOWER

分解圖號	零件編號	品名	交換	數量	New/Old	選擇1	選擇2	註記
033	266326-2	扁頭自攻螺絲 4X18		4				
034	141J78-5	CORD COVER COMPLETE		1				
C10	8011Y4-4	CAUTION LABEL		1				
035	413G61-7	REAR COVER		1				
036	413G72-2	FAN GUIDE		1				
037	252286-4	COLLARED HEX.LOCK NUT M5-8		1				
038	240237-9	FAN 110		1				
039	266130-9	扁頭PT自攻螺絲 3X16		4				
040	413G67-5	MOTOR HOUSING COVER		1				
041	210040-2	BALL BEARING 698LLU		1				
042	519639-3	ROTOR ASS'Y		1				
D10		INC. 41,43						
043	210022-4	BALL BEARING 626DDW		1				
044	629B90-2	STATOR COMPLETE		1				
045	266130-9	扁頭PT自攻螺絲 3X16		3				
046	413G60-9	MOTOR HOUSING		1				
047	422877-7	RUBBER CUSHION		2				
048	424721-4	橡膠圈 115		1				
049	422879-3	GROMMET		1				
050	266130-9	扁頭PT自攻螺絲 3X16		3				
051	413G64-1	CAP		1				
052	141J76-9	HOUSING COMPLETE		1				
053	266326-2	扁頭自攻螺絲 4X18		10				
054	422878-5	RUBBER CUSHION		2				
055	161509-8	BAND L		1				
056	161510-3	BAND R		1				
057	256A28-4	ROD 5		4				
058	162B59-8	BAND A COMPLETE		1				
059	961011-9	止動環 (EXT) E-4		4				
060	252274-1	TAPPING SCREW 4X18 WITH W		1				
061	162B58-0	CUSHION COMPLETE		1				
062	252274-1	TAPPING SCREW 4X18 WITH W		6				
063	413G76-4	PIPE FRAME COVER		4				
064	266326-2	扁頭自攻螺絲 4X18		8				
065	413K11-6	RUBBER CLAMP		4				
066	422917-1	FOOT HOUSING RUBBER		2				
067	266326-2	扁頭自攻螺絲 4X18		4				
068	162B57-2	PIPE FRAME COMPLETE		1				

Model No.UB002C BATTERY POWERED BLOWER

分解圖號	零件編號	品名	交換	數量	New/Old	選擇1	選擇2	註記
069	183W34-7	FOOT HOUSING SET		2				
070	266326-2	扁頭自攻螺絲 4X18		4				
071	162B60-3	BAND B COMPLETE		1				
072	122C31-8	HOSE CLAMP 110 ASSEMBLY		2				
C10	252103-8	HEX. LOCK NUT M5-8		1				
C20	911243-8	平頭螺絲 M5X25 WR		1				
073	413G69-1	FLEXIBLE PIPE 100		1				
074	413G71-4	ELBOW		1				
075	413G70-6	END NOZZLE 82		1				
076	162B56-4	SWIVEL PIPE COMPLETE		1				
077	266326-2	扁頭自攻螺絲 4X18		5				
079	858T78-5	UB002C NAME PLATE		1				
A01	1910M7-9	ADAPTER PIPE 104-72 SET		1				
A02	197889-6	FLAT NOZZLE SET		1				
A03	197888-8	EXTENSION NOZZLE SET		1				

Please order the parts with part number.

Print Date 2022/5/23