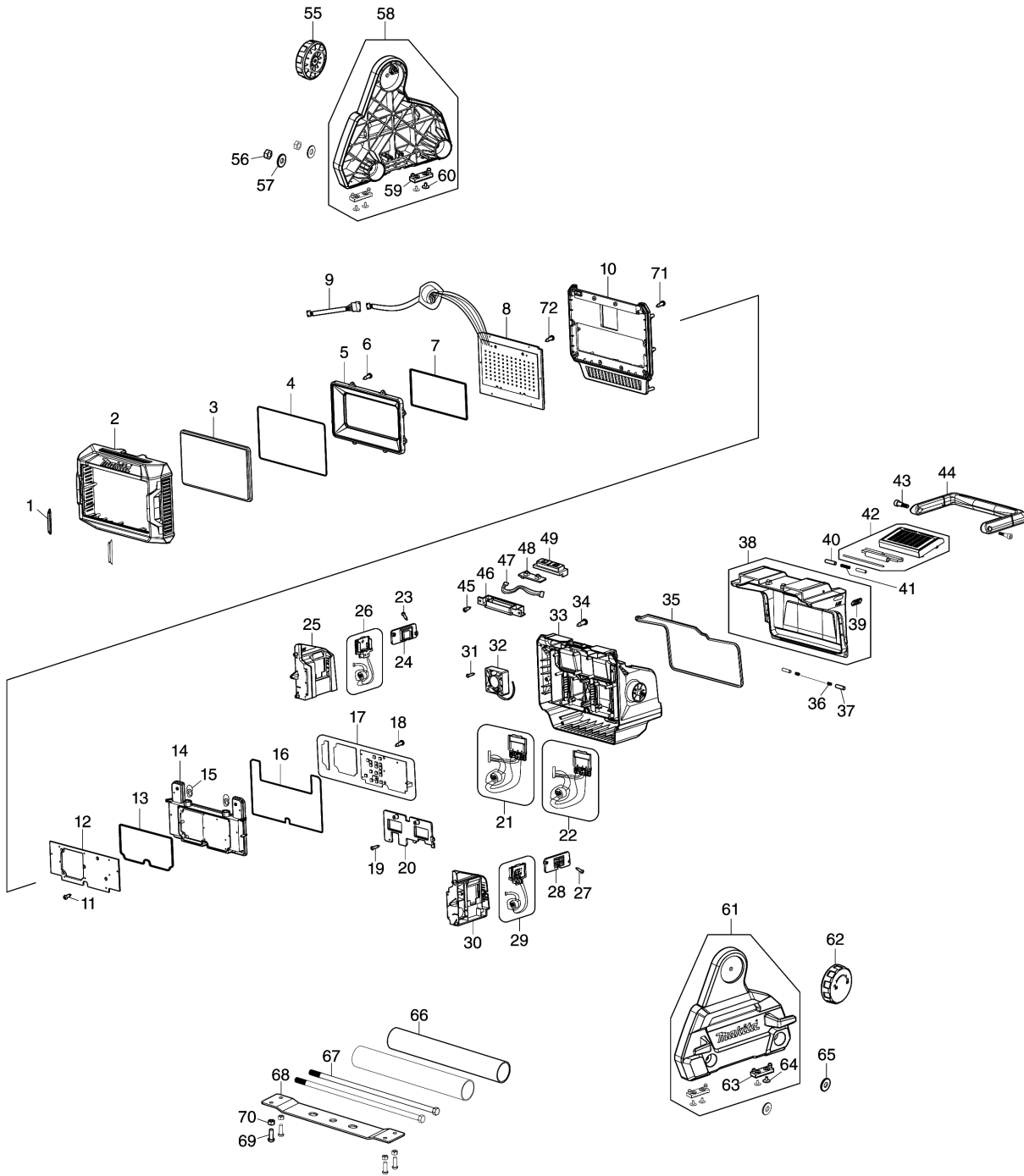


Model No.ML009G CORDLESS WORKLIGHT



Model No.ML009G CORDLESS WORKLIGHT

分解圖號	零件編號	品名	交換	數量	New/Old	選擇1	選擇2	註記
001	GM00002450	FRONT COVER PLATE		2				
002	GM00002418	FRONT COVER ASSY		1				
003	GM00002419	LENS ASSY		1				
004	GM00002420	O-RING		1				
005	GM00002421	REFLECTOR ASSY		1				
006	GM00001333	SCREW 3 X 12PB B0130120702		8				
007	GM00002422	O-RING		1				
008	GM00002423	LED PCBA ASSY		1				
009	GM00002451	LEAD UNIT ASSY		1				
010	GM00002424	MID-BODY COVER		1				
011	GM00002165	SCREW 3X18 PT		16				
012	GM00002425	HEAT SINK		1				
013	GM00002426	O-RING		1				
014	GM00002427	POWER CASE		1				
015	GM00002320	EVA		2				
016	GM00002428	O-RING		1				
017	GM00002455	MAIN PCBA ASSY		1				
018	GM00001332	SCREW 3 X 8 PB		5				
019	GM00002165	SCREW 3X18 PT		9				
020	GM00002430	TERMINAL HOLDING PLATE ASSY		1				
021	GM00002435	XGT TERMINAL ASSY		1				
022	GM00002436	XGT TERMINAL ASSY		1				
023	GM00002165	SCREW 3X18 PT		2				
024	GM00002438	TERMINAL HOLDING ASSY		1				
025	GM00002437	BATTERY SUPPORT		1				
026	GM00002433	LXT TERMINAL ASSY		1				
027	GM00002165	SCREW 3X18 PT		2				
028	GM00002434	TERMINAL HOLDING ASSY		1				
029	GM00002432	LXT TERMINAL ASSY		1				
030	GM00002431	BATTERY SUPPORT		1				
031	GM00002193	SCREW 4X30 PA		4				
032	GM00002194	COOLING FAN		1				
033	GM00002456	MID-BODY ASSY		1				
034	GM00002165	SCREW 3X18 PT		13				
035	GM00002440	O-RING		1				
036	GM00002441	SPRING		2				
037	GM00002403	SHAFT		2				
038	GM00002442	BATTERY LOCK COVER ASSY		1				

Model No.ML009G CORDLESS WORKLIGHT

分解圖號	零件編號	品名	交換	數量	New/Old	選擇1	選擇2	註記
D10		INC. 39						
039	GM00002310	XGT LABEL		1				
040	GM00002255	SHAFT A		2				
041	GM00002309	SPRING		1				
042	GM00002443	LATCH ASSY		1				
043	GM00002137	INSIDE-HEX SCREW		2				
044	GM00002444	HANDLE ASSY		1				
045	GM00002165	SCREW 3X18 PT		2				
046	GM00002445	SWITCH HOLDER		1				
047	GM00002446	LEAD UNIT ASSY		1				
048	GM00002182	SWITCH PCBA ASSY		1				
049	GM00002141	SWITCH ASSY		1				
055	GM00002160	LATCH KNOB ASSY		1				
056	GM00002158	NUT M8		2				
057	GM00002157	METAL OD20XID8.5X2MM		2				
058	GM00002413	STAND-LEFT ASSY		1				
D10		INC. 59,60						
059	GM00002154	RUBBER FOOT		2				
060	GM00002164	SCREW 3X6 PWB		4				
061	GM00002417	STAND-RIGHT ASSY		1				
D10		INC. 63,64						
062	GM00002160	LATCH KNOB ASSY		1				
063	GM00002154	RUBBER FOOT		2				
064	GM00002164	SCREW 3X6 PWB		4				
065	GM00002157	METAL OD20XID8.5X2MM		2				
066	GM00002449	TUBE		2				
067	GM00002448	HEX. BOLT M8		2				
068	GM00002447	BASE PLATE		1				
069	GM00002408	SCREW 5X30PM		4				
070	GM00002155	NUT M5		4				
071	GM00001333	SCREW 3 X 12PB B0130120702		10				
072	GM00001333	SCREW 3 X 12PB B0130120702		10				
A01	GM00002377	LAMP SHADE		1				

Please order the parts with part number.

Print Date 2022/5/23