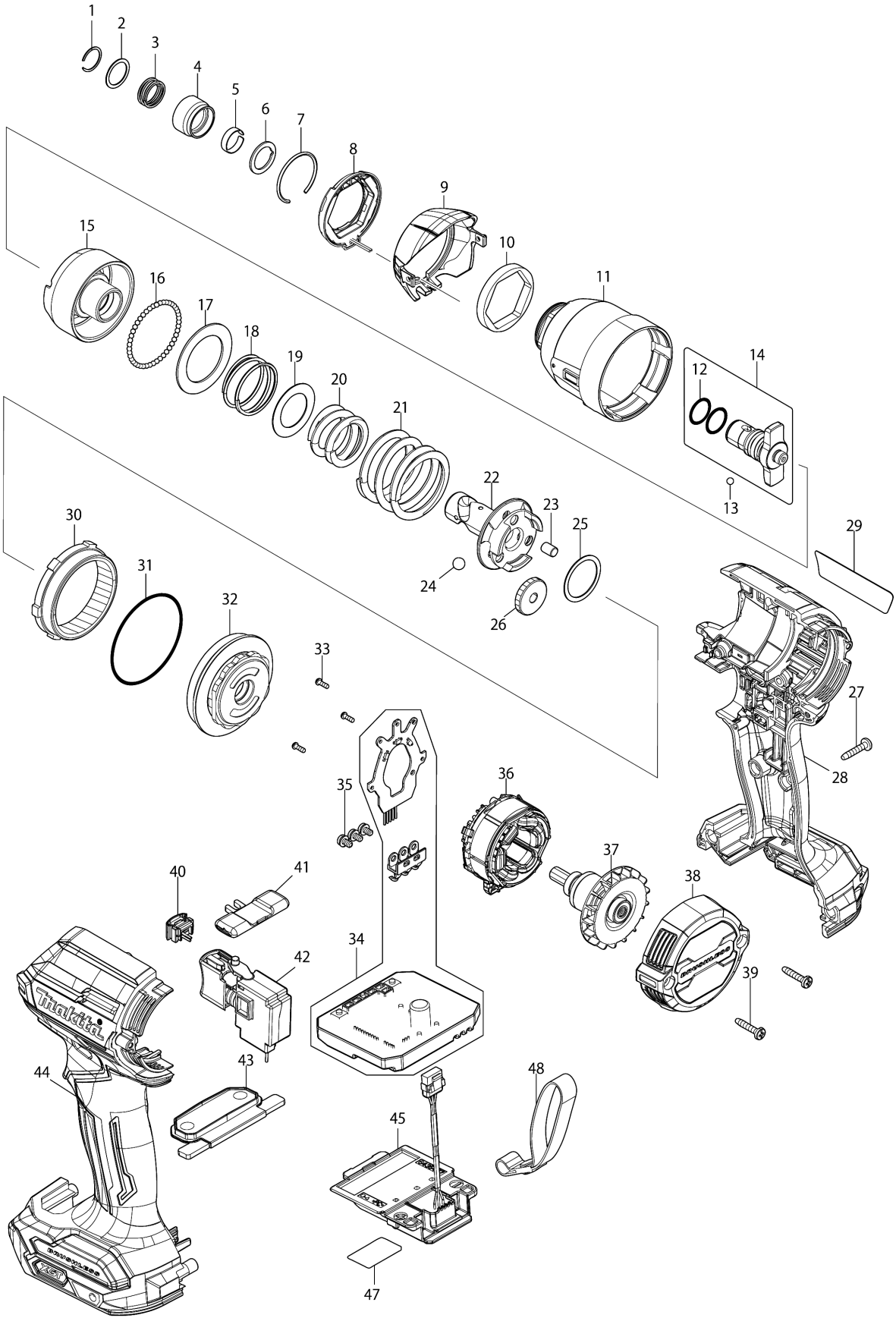


Model No.TD002G CORDLESS IMPACT DRIVER



Model No.TD002G CORDLESS IMPACT DRIVER

分解圖號	零件編號	品名	交換	數量	New/Old	選擇1	選擇2	註記
001	231952-6	環形彈簧 12		1				
002	267101-9	平墊圈 14		1				
003	232592-3	COMPRESSION SPRING 14		1				
004	327989-0	BIT SLEEVE		1				
005	232692-9	LEAF SPRING		1				
006	253496-6	FLAT WASHER 13		1				
007	232751-9	RING SPRING 27		1				
008	620H90-1	LED CURCUIT		1				
009	413L58-6	HAMMER CASE COVER		1				
010	422874-3	SPONGE SHEET		1				
011	141J66-2	HAMMER CASE COMPLETE		1				
012	213166-9	O-形環 12.5		2				
013	216001-0	鋼珠 3.5		2				
014	136626-3	ANVIL N ASSEMBLY		1				
D10		INC. 12						
015	327985-8	HAMMER		1				
016	216015-9	鋼珠 2.4		45				
017	253559-8	FLAT WASHER 26		1				
018	232750-1	COMPRESSION SPRING 26		1				
019	253560-3	FLAT WASHER 19		1				
020	232749-6	COMPRESSION SPRING 20		1				
021	232748-8	COMPRESSION SPRING 31		1				
022	327984-0	SPINDLE		1				
023	256A12-9	PIN 5		3				
024	216013-3	鋼珠 6		2				
025	267283-7	平墊圈 21		1				
026	227956-4	SPUR GEAR 24		3				
027	266130-9	扁頭PT自攻螺絲 3X16		8				
028A	183V61-8	HOUSING SET		1				
028B	183V62-6	HOUSING SET		1				
028C	183V63-4	HOUSING SET		1				
028D	183V61-8	HOUSING SET		1				
028E	183V62-6	HOUSING SET		1				
028F	183V63-4	HOUSING SET		1				
C10	263005-3	橡膠銷 6		2				
C20	252126-6	HEX. LOCK NUT M4-7		2				
C30	8007R2-2	XGT LOGO LABEL		1				
D10		INC. 44						
029	858P41-4	TD002G NAME PLATE		1				
030	227957-2	INTERNAL SPUR GEAR 56		1				
031	213A18-0	O-RING 45		1				

Model No.TD002G CORDLESS IMPACT DRIVER

分解圖號	零件編號	品名	交換	數量	New/Old	選擇1	選擇2	註記
032	141J65-4	BEARING BOX COMPLETE		1				
033	266490-9	平頭PT自攻螺絲 2X6		3				
034	620H91-9	CONTROLLER		1				
035	652069-6	平頭螺絲 M3X6		3				
036	629464-5	STATOR		1				
037	619748-9	ROTOR		1				
038A	413G19-6	REAR COVER		1				
038B	413G52-8	REAR COVER		1				
038C	413G53-6	REAR COVER		1				
038D	413G19-6	REAR COVER		1				
038E	413G52-8	REAR COVER		1				
038F	413G53-6	REAR COVER		1				
039	266130-9	扁頭PT自攻螺絲 3X16		2				
040	632T17-1	SWITCH UNIT		1				
041	455053-8	F/R變換控制桿		1				
042	651442-7	SWITCH C3JR-1A-1		1				
043	141L82-6	SWITCH PLATE COMPLETE		1				
044A	183V61-8	HOUSING SET		1				
044B	183V62-6	HOUSING SET		1				
044C	183V63-4	HOUSING SET		1				
044D	183V61-8	HOUSING SET		1				
044E	183V62-6	HOUSING SET		1				
044F	183V63-4	HOUSING SET		1				
C10	263005-3	橡膠銷 6		2				
C20	252126-6	HEX. LOCK NUT M4-7		2				
C30	8007R2-2	XGT LOGO LABEL		1				
D10		INC. 28						
045	632P49-4	TERMINAL UNIT		1				
047	858P42-2	TD002G SERIAL NO.LABEL		1				
048	163400-6	把手吊帶		1				
A01	266622-8	大扁頭螺絲 M4X12		1				
A02	346317-0	掛鉤		1				
A03	B-66721	TWIST TORSIONBIT PH2-65 1PC		1				
A04D	412393-7	BATTERY COVER		1				
A04E	412393-7	BATTERY COVER		1				
A04F	412393-7	BATTERY COVER		1				
A05D	***DC40RA	DC40RA FAST CHARGER		1				
D10		COMPO-PARTS						
A05E	***DC40RA	DC40RA FAST CHARGER		1				
D10		COMPO-PARTS						

Model No.TD002G CORDLESS IMPACT DRIVER

分解圖號	零件編號	品名	交換	數量	New/Old	選擇1	選擇2	註記
A05F	***DC40RA	DC40RA FAST CHARGER		1				
D10		COMPO-PARTS						
A06D	191B40-2	BATTERY BL4025 SET		2				
A06E	191B40-2	BATTERY BL4025 SET		2				
A06F	191B40-2	BATTERY BL4025 SET		2				
A07D	821883-3	PLASTIC CASE		1				
C10	458362-4	LATCH		2				
C20	413G37-4	LATCH		1				
A07E	821883-3	PLASTIC CASE		1				
C10	458362-4	LATCH		2				
C20	413G37-4	LATCH		1				
A07F	821883-3	PLASTIC CASE		1				
C10	458362-4	LATCH		2				
C20	413G37-4	LATCH		1				
A08D	8057F0-7	TD002GD202 PLASTIC CASE LABEL		2				
A08E	8057E8-4	TD002GD203 PLASTIC CASE LABEL		2				
A08F	8057E9-2	TD002GD204 PLASTIC CASE LABEL		2				

Please order the parts with part number.

Print Date 2022/4/19