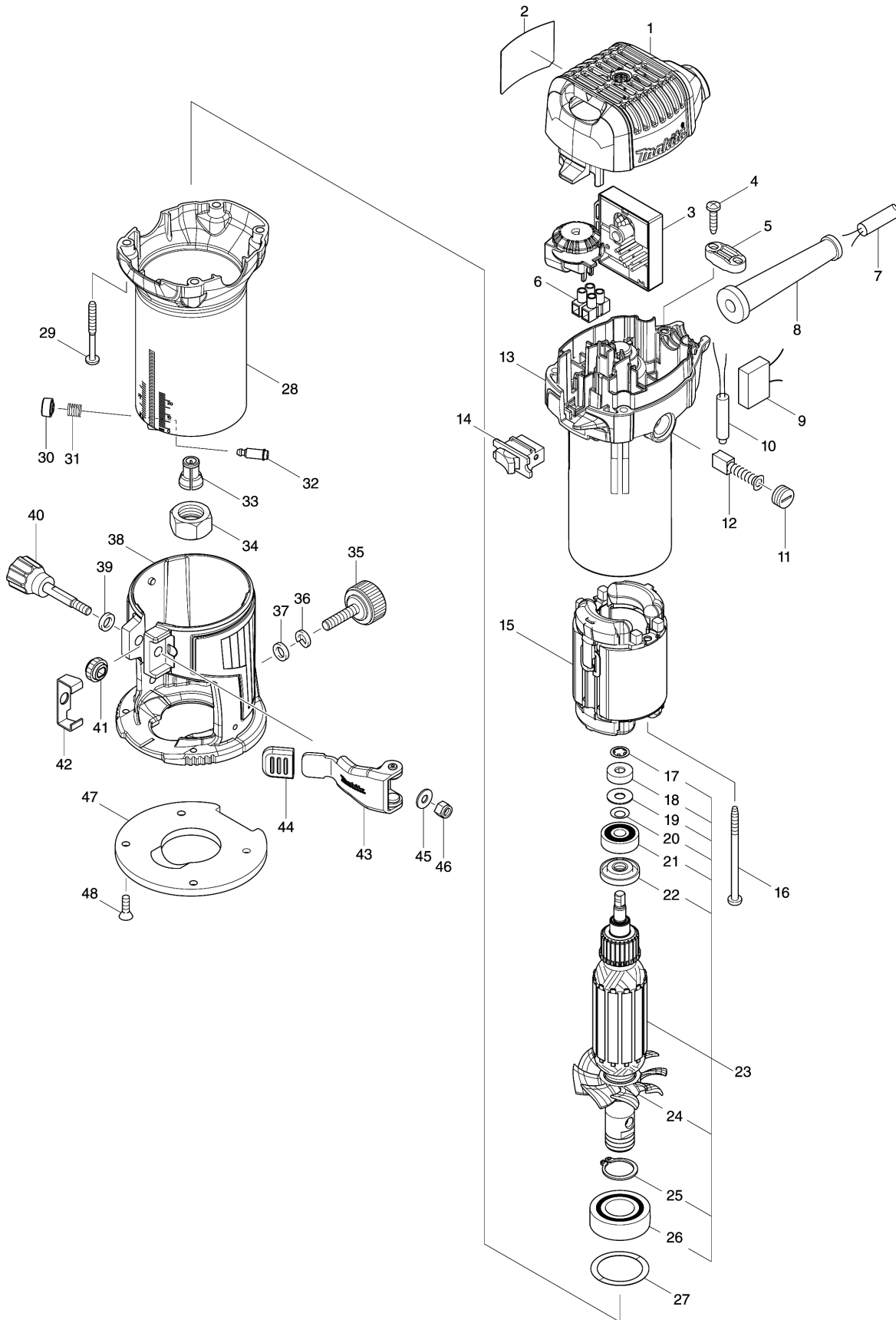


Model No.RT0702C TRIMMER



Model No.RT0702C TRIMMER

| 分解圖號 | 零件編號 | 品名 | 交換 | 數量 | New/Old | 選擇1 | 選擇2 | 註記 |
|------|----------|----------------------------|----|----|---------|-----|-----|----|
| 001 | 413A03-5 | TOP COVER | | 1 | | | | |
| 002 | 8111R5-5 | RT0702C NAME PLATE | | 1 | | | | |
| 003 | 620H13-9 | CONTROLLER | | 1 | | | | |
| 004 | 266326-2 | 螺絲 M4X18 | | 2 | | | | |
| 005 | 687124-5 | 電線固定片 | | 1 | | | | |
| 006 | 654542-2 | 端子接座 | | 1 | | | | |
| 007 | 693364-5 | 電源線 0.75-2-2.5 | | 1 | | | | |
| 008 | 682569-2 | 電線保護管 | | 1 | | | | |
| 009 | 645233-6 | 抑制噪音電容 | | 1 | | | | |
| 010 | 646133-3 | 降磁波 | | 1 | | | | |
| 011 | 643550-8 | 碳刷座蓋5-8 | | 2 | | | | |
| 012 | 191938-1 | 碳刷CB-408 | | 1 | | | | |
| 013 | 141E76-9 | BRACKET COMPLETE | | 1 | | | | |
| C10 | 643455-2 | 碳刷座 F/TW0200,MT958 | | 2 | | | | |
| 014 | 651527-9 | 開關 | | 1 | | | | |
| 015 | 593766-4 | FIELD ASS'Y 115V | | 1 | | | | |
| C10 | 654100-4 | 碳刷座圈 | | 1 | | | | |
| C20 | 654501-6 | 連接頭 P-1.25 | | 1 | | | | |
| 016 | 266340-8 | 螺絲 4X65 | | 2 | | | | |
| 017 | 259039-2 | 內星狀擋圈 6 | | 1 | | | | |
| 018 | 688117-5 | 磁石 | | 1 | | | | |
| 019 | 253332-6 | 薄華司 6 | | 1 | | | | |
| 020 | 267756-0 | 墊片 6 | | 1 | | | | |
| 021 | 210023-2 | 培林 627DDW | | 1 | | | | |
| 022 | 681668-7 | 樹脂墊片 | | 1 | | | | |
| 023 | 515841-6 | 馬達心 115V | | 1 | | | | |
| D10 | | INC. 17-22,24-26 | | | | | | |
| 024 | 240125-0 | 風葉 55 | | 1 | | | | |
| 025 | 961057-5 | 檔圈 S-17 | | 1 | | | | |
| 026 | 210301-0 | 培林6003DDW | | 1 | | | | |
| 027 | 253906-3 | 波浪華司 26 | | 1 | | | | |
| 028 | 140735-2 | 外殼 | | 1 | | | | |
| 029 | 266560-4 | 螺絲 4X40 | | 4 | | | | |
| 030 | 452468-0 | 推鈕 | | 1 | | | | |
| 031 | 233127-3 | 彈簧 7 | | 1 | | | | |
| 032 | 256437-1 | 銷 4 F/9520B,M958 | | 1 | | | | |
| 033 | 763636-3 | 夾子套管 6mm F/RT0700,DRT50 | | 1 | | | | |
| 034 | 763615-1 | 夾子螺母 F/RT0700,DRT50 | | 1 | | | | |
| 035 | 265763-7 | 螺絲 M6X25 | | 1 | | | | |
| 036 | 253428-3 | 彈簧墊圈 6 | | 1 | | | | |

Model No.RT0702C TRIMMER

| 分解圖號 | 零件編號 | 品名 | 交換 | 數量 | New/Old | 選擇1 | 選擇2 | 註記 |
|------|----------|----------------------------|----|----|---------|-----|-----|----|
| 037 | 941151-9 | 平面墊圈 6 | | 1 | | | | |
| 038 | 142403-3 | 底板組 | | 1 | | | | |
| 039 | 941151-9 | 平面墊圈 6 | | 1 | | | | |
| 040 | 265792-0 | 螺絲 M5X35 | | 1 | | | | |
| 041 | 227262-7 | 齒輪 16 | | 1 | | | | |
| 042 | 346392-6 | 板 | | 1 | | | | |
| 043 | 163524-8 | 鎖桿組 | | 1 | | | | |
| 044 | 424396-9 | 橡膠套 | | 1 | | | | |
| 045 | 941101-4 | F 華士 5 | | 1 | | | | |
| 046 | 252103-8 | 六角螺母 M5-8 | | 1 | | | | |
| 047 | 454842-8 | 底座保護板 - 適修邊座 | | 1 | | | | |
| 048 | 912112-6 | 螺絲M4X10 | | 4 | | | | |
| A01 | 122965-7 | 直規組 | | 1 | | | | |
| C10 | 252649-4 | 蝶螺母 M6 | | 1 | | | | |
| C20 | 266339-3 | 螺絲 M6X20 | | 1 | | | | |
| C30 | 346382-9 | 導規板 | | 1 | | | | |
| A02 | 195559-1 | 集塵管接頭 (修邊座用) | | 1 | | | | |
| C10 | 265774-2 | 蝶螺絲M4X19 F/RP2300FC | | 1 | | | | |
| A03 | 343577-5 | 樣規導具 10mm | | 1 | | | | |
| A04 | 781011-1 | 板手22 | | 1 | | | | |
| A05 | 781039-9 | 板手 13 | | 1 | | | | |
| A06B | 194733-8 | 集塵管接頭 (雕刻座用) | | 1 | | | | |
| C10 | 213022-3 | O圈3 F/RP2300FC | | 2 | | | | |
| C20 | 265774-2 | 蝶螺絲M4X19 F/RP2300FC | | 1 | | | | |
| A07 | 763618-5 | 夾子套管 8mm F/RT0700,DRT50 | | 1 | | | | |
| A08B | 344364-5 | 樣規導具16mm F/RP2300FC | | 1 | | | | |
| A09B | 122703-7 | 修邊導具組 F/接在122238-8 上 | | 1 | | | | |
| C10 | 251471-6 | 平頭螺絲 L5 | | 1 | | | | |
| C20 | 265135-6 | 螺絲 M4X10 | | 1 | | | | |
| C30 | 265763-7 | 螺絲 M6X25 | | 1 | | | | |
| C40 | 265764-5 | 螺絲 M6 | | 1 | | | | |
| C50 | 317788-8 | 導具固定座 | | 1 | | | | |
| C60 | 324378-0 | 滾輪 11 | | 1 | | | | |
| C70 | 341136-9 | 鉤 | | 1 | | | | |
| C80 | 941151-9 | 平面墊圈 6 | | 1 | | | | |
| A10B | 196094-2 | PLUNGE BASE SET | | 1 | | | | |
| D10 | | COMPO-PARTS | | | | | | |
| A11B | 198987-9 | 角度座組 | | 1 | | | | |
| A12B | 153489-2 | 把手頭36 | | 1 | | | | |

Model No.RT0702C TRIMMER

| 分解圖號 | 零件編號 | 品名 | 交換 | 數量 | New/Old | 選擇1 | 選擇2 | 註記 |
|------|----------|-------------------------------|----|----|---------|-----|-----|----|
| A13B | 195564-8 | 導規座組 F/RT0700C | | 1 | | | | |
| C10 | 252649-4 | 蝶螺母 M6 | | 1 | | | | |
| C20 | 256850-3 | ROD 8 | | 2 | | | | |
| C30 | 266339-3 | 螺絲 M6X20 | | 1 | | | | |
| A14B | 821552-6 | 工具箱-堆疊型 4 | | 1 | | | | |
| C10 | 453974-8 | 堆疊式工具箱-固定扣 | | 4 | | | | |
| A15B | D-30209 | 雕刻刀-3支組 | | 1 | | | | |
| A16B | 837247-1 | 格子袋 | | 1 | | | | |
| A17B | 8043J1-6 | RT0702CX5J INDICATION LABEL | | 1 | | | | |
| A18B | 8043J2-4 | RT0702CX5J PLASTIC CASE LABEL | | 2 | | | | |

Please order the parts with part number.

Print Date 2022/2/25