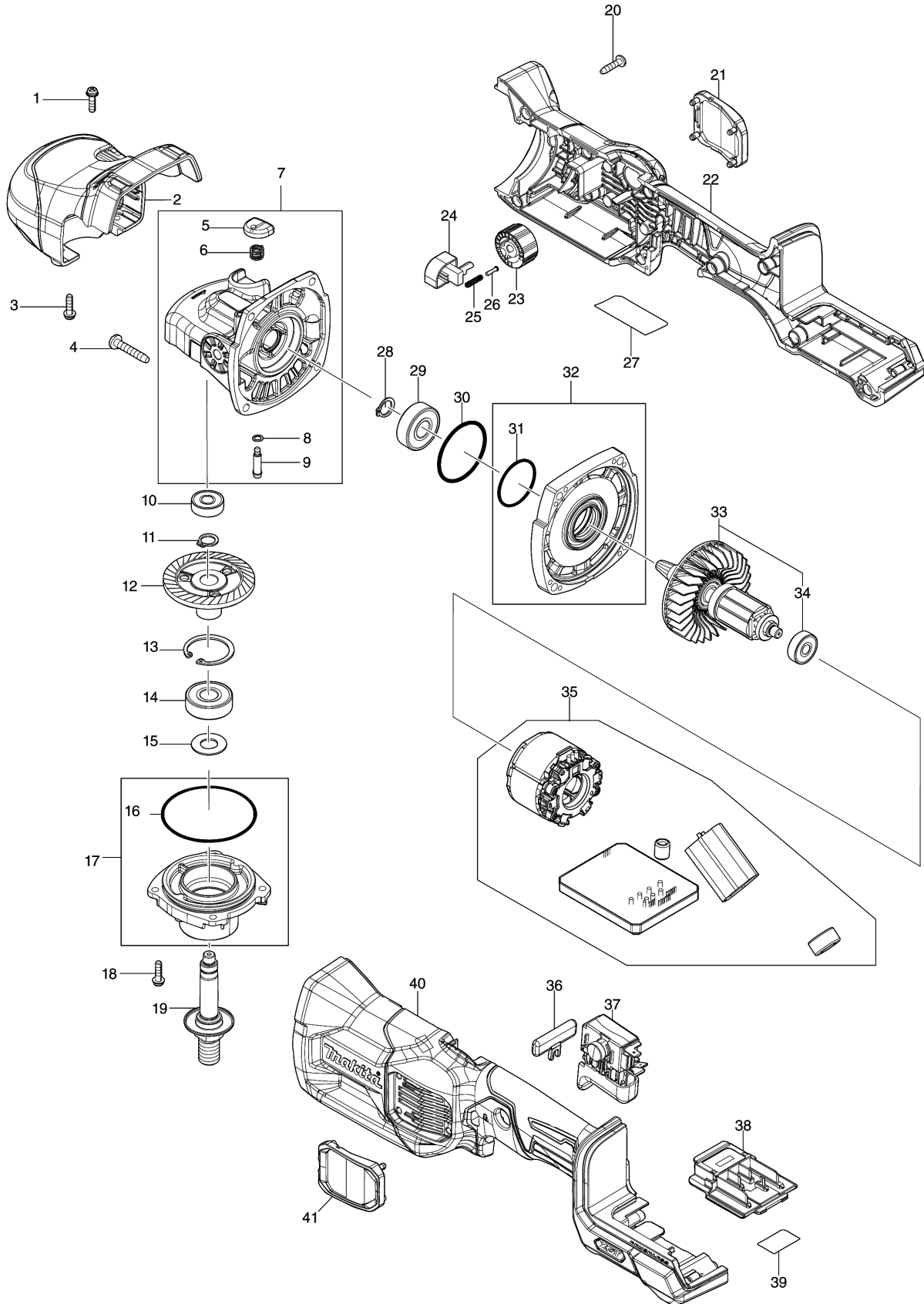


Model No.PV001G 180MM CORDLESS POLISHER



Model No.PV001G 180MM CORDLESS POLISHER

| 分解圖號 | 零件編號     | 品名                       | 交換 | 數量 | New/Old | 選擇1 | 選擇2 | 註記 |
|------|----------|--------------------------|----|----|---------|-----|-----|----|
| 001  | 911128-8 | 平頭螺絲 4X16                |    | 2  |         |     |     |    |
| 002  | 413F66-1 | HEAD COVER               |    | 1  |         |     |     |    |
| 003  | 911128-8 | 平頭螺絲 4X16                |    | 2  |         |     |     |    |
| 004  | 266173-1 | 自攻牙螺絲 5X30               |    | 4  |         |     |     |    |
| 005  | 412234-7 | PIN CAP                  |    | 1  |         |     |     |    |
| 006  | 233072-2 | 彈簧8 F/9520B,MT950-4      |    | 1  |         |     |     |    |
| 007  | 136628-9 | GEAR HOUSING ASS'Y       |    | 1  |         |     |     |    |
| C10  | 263002-9 | 橡皮銷 4                    |    | 1  |         |     |     |    |
| D10  |          | INC. 5,6,8,9             |    |    |         |     |     |    |
| 008  | 213960-9 | O圈5 F/9553B              |    | 1  |         |     |     |    |
| 009  | 256546-6 | 肩銷 4                     |    | 1  |         |     |     |    |
| 010  | 210029-0 | 軸承 608ZZ                 |    | 1  |         |     |     |    |
| 011  | 961052-5 | 擋圈 S-12                  |    | 1  |         |     |     |    |
| 012  | 227953-0 | SPIRAL BEVEL GEAR 52     |    | 1  |         |     |     |    |
| 013  | 962151-6 | 擋圈 R-32                  |    | 1  |         |     |     |    |
| 014  | 211106-1 | 軸承 6201LLB               |    | 1  |         |     |     |    |
| 015  | 267113-2 | 平面墊圈 12                  |    | 1  |         |     |     |    |
| 016  | 213654-6 | O圈 60                    |    | 1  |         |     |     |    |
| 017  | 136629-7 | BEARING BOX ASS'Y        |    | 1  |         |     |     |    |
| D10  |          | INC. 16                  |    |    |         |     |     |    |
| 018  | 911128-8 | 平頭螺絲 4X16                |    | 4  |         |     |     |    |
| 019  | 141J26-4 | SPINDLE COMPLETE         |    | 1  |         |     |     |    |
| 020  | 265995-6 | 攻牙螺絲 4X18                |    | 10 |         |     |     |    |
| 021  | 422871-9 | DUST COVER               |    | 1  |         |     |     |    |
| 022  | 183V37-5 | MOTOR HOUSING SET        |    | 1  |         |     |     |    |
| C10  | 263005-3 | 橡皮銷 6                    |    | 2  |         |     |     |    |
| C20  | 8005T5-8 | XGT LOGO LABEL           |    | 1  |         |     |     |    |
| D10  |          | INC. 40                  |    |    |         |     |     |    |
| 023  | 271472-8 | DIAL 28                  |    | 1  |         |     |     |    |
| 024  | 620415-1 | 輔助控制                     |    | 1  |         |     |     |    |
| 025  | 233002-3 | 扭力彈簧 3                   |    | 1  |         |     |     |    |
| 026  | 255058-6 | 固定銷 2                    |    | 1  |         |     |     |    |
| 027  | 8115Y5-8 | PV001G NAME PLATE        |    | 1  |         |     |     |    |
| 028  | 961052-5 | 擋圈 S-12                  |    | 1  |         |     |     |    |
| 029  | 211137-0 | 軸承                       |    | 1  |         |     |     |    |
| 030  | 213842-5 | O-RING 40                |    | 1  |         |     |     |    |
| 031  | 213459-4 | O形環 32                   |    | 1  |         |     |     |    |
| 032  | 136630-2 | GEAR HOUSING COVER ASS'Y |    | 1  |         |     |     |    |
| D10  |          | INC. 31                  |    |    |         |     |     |    |
| 033  | 519738-1 | ROTOR ASS'Y              |    | 1  |         |     |     |    |

Model No.PV001G 180MM CORDLESS POLISHER

| 分解圖號 | 零件編號     | 品名                      | 交換 | 數量 | New/Old | 選擇1 | 選擇2 | 註記 |
|------|----------|-------------------------|----|----|---------|-----|-----|----|
| D10  |          | INC. 34                 |    |    |         |     |     |    |
| 034  | 210023-2 | 培林 627DDW               |    | 1  |         |     |     |    |
| 035  | 629B10-6 | STATOR COMPLETE         |    | 1  |         |     |     |    |
| 036  | 458972-7 | 閉鎖按鈕                    |    | 1  |         |     |     |    |
| 037  | 650020-0 | SWITCH C3JR-4B-2L       |    | 1  |         |     |     |    |
| 038  | 632P65-6 | 電池端座                    |    | 1  |         |     |     |    |
| 039  | 8116A3-0 | PV001G SERIAL NO. LABEL |    | 1  |         |     |     |    |
| 040  | 183V37-5 | MOTOR HOUSING SET       |    | 1  |         |     |     |    |
| C10  | 263005-3 | 橡皮銷 6                   |    | 2  |         |     |     |    |
| C20  | 8005T5-8 | XGT LOGO LABEL          |    | 1  |         |     |     |    |
| D10  |          | INC. 22                 |    |    |         |     |     |    |
| 041  | 422871-9 | DUST COVER              |    | 1  |         |     |     |    |
| A01  | 262542-4 | 套筒18 F/9227CB           |    | 1  |         |     |     |    |
| A02  | 413F67-9 | LOOP HANDLE             |    | 1  |         |     |     |    |
| A03  | 743054-1 | 橡皮盤-黏扣式165<br>F/PV7000C |    | 1  |         |     |     |    |
| A04  | 192629-7 | 羊毛-黏貼式180 F/9227CB      |    | 1  |         |     |     |    |
| A05  | 266171-5 | 內六角螺絲M8X25<br>F/9227CB  |    | 2  |         |     |     |    |
| A06  | 783204-6 | 六角板手 6                  |    | 1  |         |     |     |    |
| A07  | 158237-4 | 握把 36                   |    | 1  |         |     |     |    |
| A08  | 422871-9 | DUST COVER              |    | 2  |         |     |     |    |

Please order the parts with part number.

Print Date 2022/2/8