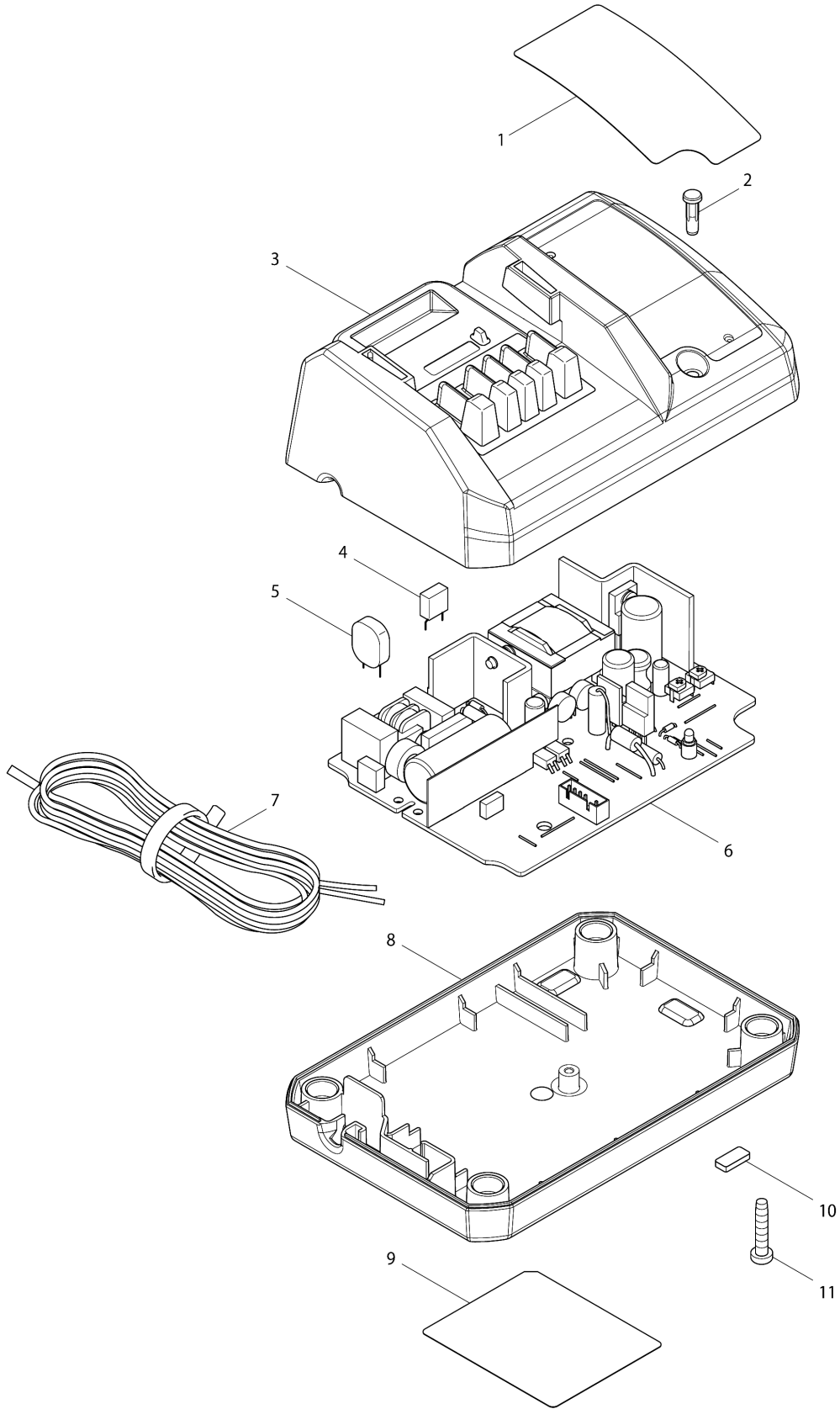


Model No.DC18WA CHARGER



Model No.DC18WA CHARGER

| 分解圖號 | 零件編號 | 品名 | 交換 | 數量 | New/Old | 選擇1 | 選擇2 | 註記 |
|-------|----------|-----------------------------|----|----|---------|-----|-----|----|
| 001 | 892431-5 | CHARGING CONDITION LABEL | | 1 | | | | |
| 002 | 452263-8 | LENS | | 1 | * | | | |
| 002A_ | 454956-3 | LENS | | 1 | | | | |
| 003 | 140825-1 | CHARGER CASE COMPLETE | | 1 | * | | | |
| D10 | | INC. 2 | | | * | | | |
| 003A_ | 142456-2 | CHARGER CASE COMPLETE | | 1 | * | | | |
| D10 | | INC. 2A | | | * | | | |
| 003A1 | 142454-6 | CHARGER CASE COMPLETE | < | 1 | | | | |
| D10 | | INC. 2A | | | | | | |
| 004 | 652789-2 | 保險絲 | | 1 | * | | | |
| 004-1 | 652789-2 | 保險絲 | O | 1 | | | | |
| 005 | 647333-8 | 變電器 | | 1 | * | | | |
| 005-1 | 647306-1 | 突波器 | O | 1 | | | | |
| 006 | 620026-2 | 電路板 | | 1 | * | | | |
| D10 | | INC. 4,5 | | | * | | | |
| 006A_ | 620273-5 | 電路板 | | 1 | | | | |
| 007 | 667873-0 | POWER SUPPLY CORD | | 1 | * | | | |
| 007-1 | 667982-5 | 電線#18-2-2.0 F/DC1410,11 | O | 1 | * | | | |
| 007-2 | 667715-8 | VINYL CORD | O | 1 | * | | | |
| 007-3 | 667757-2 | VINYL CORD | < | 1 | | | | |
| 007A_ | 667893-4 | POWER SUPPLY CORD | | 1 | * | | | |
| 007A1 | 667715-8 | VINYL CORD | O | 1 | * | | | |
| 007A2 | 667716-6 | POWER SUPPLY CORD | < | 1 | | | | |
| 008 | 140713-2 | CHARGER CASE COVER COMPLETE | | 1 | * | | | |
| D10 | | INC. 10 | | | * | | | |
| 008A_ | 142453-8 | CHARGER CASE COVER COMPLETE | | 1 | | | | |
| D10 | | INC. 10A | | | | | | |
| 009 | 869026-9 | DC18WA NAME PLATE | | 1 | | | | |
| 010 | 423415-8 | RUBBER SHEET | | 6 | | | | |
| 010A_ | 423474-2 | RUBBER SHEET | | 6 | | | | |
| 011 | 266625-2 | TAPPING SCREW PT 4X20 | | 4 | | | | |
| 011A_ | 266897-9 | TAPPING SCREW PT 4X20 | | 4 | | | | |

Please order the parts with part number.

Print Date 2021/12/16