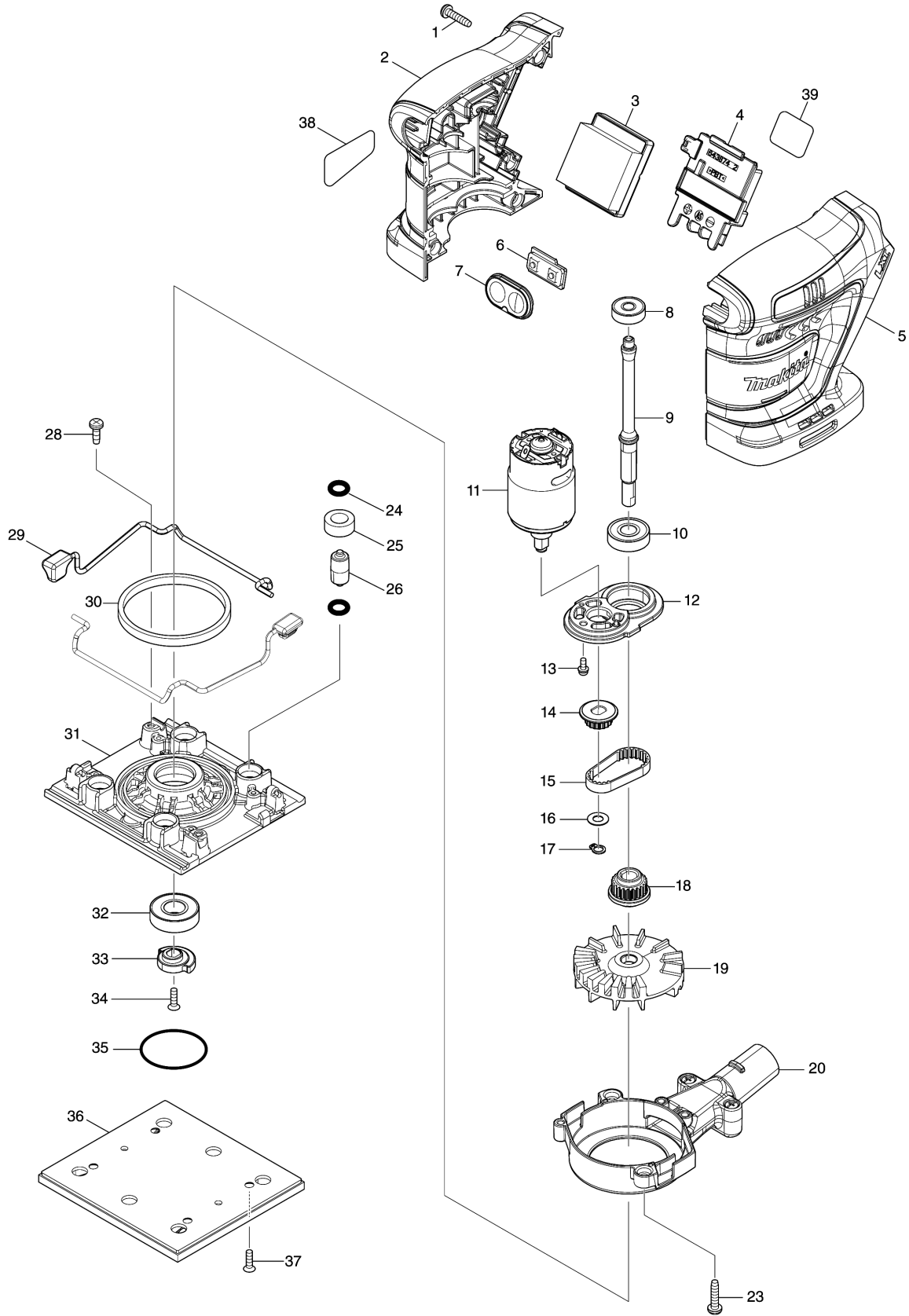


Model No.DBO482 CORDLESS FINISHING SANDER



Model No.DB0482 CORDLESS FINISHING SANDER

分解圖號	零件編號	品名	交換	數量	New/Old	選擇1	選擇2	註記
001	265995-6	TAPPING SCREW 4X18		5				
002	183U93-9	HOUSING SET		1				
C10	263005-3	RUBBER PIN 6		2				
D10		INC. 5						
003	632S80-8	CONTROLLER UNIT		1				
004	643874-2	TERMINAL		1				
005	183U93-9	HOUSING SET		1				
C10	263005-3	RUBBER PIN 6		2				
D10		INC. 2						
006	632K92-3	SWITCH UNIT		1				
007	141B15-1	SWITCH PLATE COMPLETE		1				
008	210143-2	BALL BEARING 626ZZ		1				
009	327807-2	SPINDLE		1				
010	211491-2	BALL BEARING 609DDW		1				
011	629B05-9	DC MOTOR		1				
012	413619-0	MOTOR BRACKET		1				
013	265173-8	PAN HEAD SCREW M3X8		1				
014	222200-4	PULLEY 7.5-15.5		1				
015	225105-7	SYNCHRO BELT 6-108		1				
016	253715-0	FLAT WASHER 6		1				
017	961002-0	RETAINING RING S-6		1				
018	222199-3	PULLEY 7.5-20.3		1				
019	240224-8	FAN 63		1				
020	122B40-1	FAN GUIDE ASSEMBLY		1				
023	265995-6	TAPPING SCREW 4X18		2				
024	213983-7	O RING 4		8				
025	424023-8	SPONGE SLEEVE 9		4				
026	318151-8	FOOT		4				
028	266398-7	TAPPING SCREW BIND CT 4X12		2				
029	162299-6	LEVER COMPLETE		2				
030	424684-4	SPONGE 7X87X3		1				
031	318543-1	BASE		1				
032	211131-2	BALL BEARING 6001DDW		1				
033	313141-6	BALANCER		1				
034	912117-6	COUNTERSUNK HEAD SCREW M4X12		1				
035	213513-4	O RING 39		1				
036	191Y25-6	PAD COMPLETE SET		1				
037	912117-6	COUNTERSUNK HEAD SCREW M4X12		4				

Model No.DBO482 CORDLESS FINISHING SANDER

分解圖號	零件編號	品名	交換	數量	New/Old	選擇1	選擇2	註記
038	8115V8-1	DBO482 NAME PLATE		1				
039	8115W0-4	DBO482 SERIAL NO. LABEL		1				
A01	794296-0	ABRASIVE PAPER SET 114X100		1				
A05	135222-4	DUST BAG ASS'Y		1				
C10	166078-4	DUST BAG		1				
C20	257202-1	RING 25		1				
C30	416063-0	DUST BAG NOZZLE		1				
C40	416064-8	DUST NOZZLE		1				
A06	450066-4	PUNCH PLATE		1				

Please order the parts with part number.

Print Date 2021/11/29