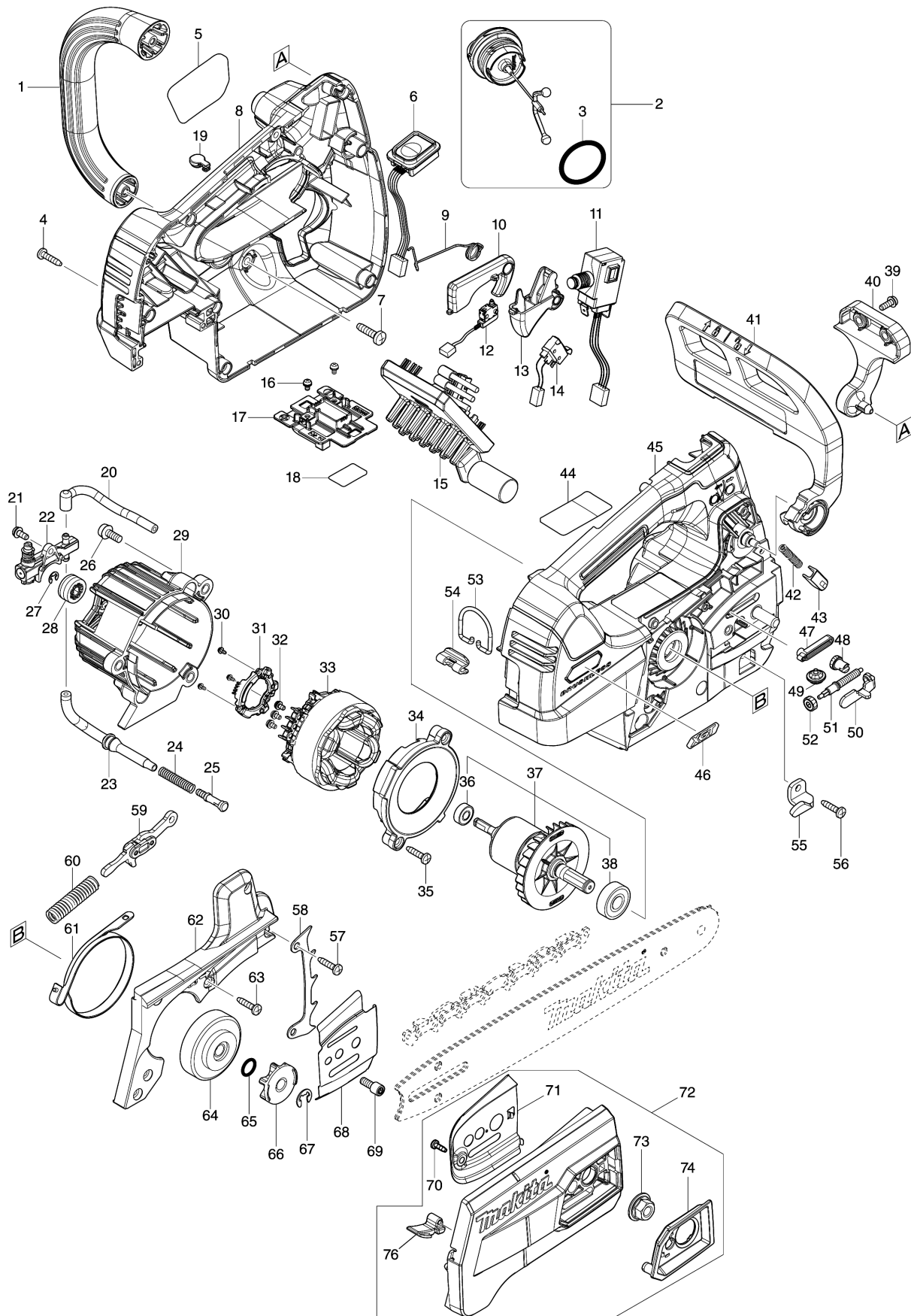


Model No. UC002G CORDLESS CHAIN SAW 115MM



Model No.UC002G CORDLESS CHAIN SAW 115MM

| 分解圖號 | 零件編號 | 品名 | 交換 | 數量 | New/Old | 選擇1 | 選擇2 | 註記 |
|------|----------|------------------------------|----|----|---------|-----|-----|----|
| 001 | 413979-0 | FRONT HANDLE | | 1 | | | | |
| 002 | 122A77-2 | TANK CAP ASSEMBLY | | 1 | | | | |
| D10 | | INC. 3 | | | | | | |
| 003 | 213080-9 | O RING 29.5 | | 1 | | | | |
| 004 | 266326-2 | TAPPING SCREW 4X18 | | 8 | | | | |
| 005 | 8041P2-4 | UC002G MODEL NO. LABEL | | 1 | | | | |
| 006 | 141G07-0 | SWITCH CIRCUIT COMPLETE | | 1 | | | | |
| C10 | 810D46-0 | SWITCH LABEL | | 1 | | | | |
| 007 | 266420-0 | TAPPING SCREW 5X20 | | 2 | | | | |
| 008 | 183U56-5 | HOUSING SET | | 1 | | | | |
| C10 | 263005-3 | RUBBER PIN 6 | | 2 | | | | |
| D10 | | INC. 19,45 | | | | | | |
| 009 | 232713-7 | TORSION SPRING 10 | | 1 | | | | |
| 010 | 413987-1 | CATCH LEVER | | 1 | | | | |
| 011 | 650011-1 | SWITCH C3JR-4BM-PAND3 | | 1 | | | | |
| 012 | 632L49-0 | SWITCH UNIT | | 1 | | | | |
| 013 | 459282-5 | SWITCH LEVER | | 1 | | | | |
| 014 | 632L48-2 | SWITCH UNIT | | 1 | | | | |
| 015 | 620F72-1 | CONTROLLER | | 1 | | | | |
| 016 | 652031-1 | PAN HEAD SCREW M3X6 | | 2 | | | | |
| 017 | 632S63-8 | TERMINAL UNIT | | 1 | | | | |
| 018 | 8110T7-9 | UC002G SERIAL NO. LABEL | | 1 | | | | |
| 019 | 422467-6 | CAP | | 1 | | | | |
| 020 | 422764-0 | OIL TUBE 3-85 | | 1 | | | | |
| 021 | 911113-1 | PAN HEAD SCREW M4X10 WITH WR | | 1 | | | | |
| 022 | 142156-4 | OIL PUMP COMPLETE | | 1 | | | | |
| 023 | 422765-8 | OIL TUBE 3-109 | | 1 | | | | |
| 024 | 231975-4 | SPRING | | 1 | | | | |
| 025 | 452666-6 | NIPPLE | | 1 | | | | |
| 026 | 911218-7 | PAN HEAD SCREW M5X14 | | 3 | | | | |
| 027 | 961011-9 | STOP RING E-4 | | 1 | | | | |
| 028 | 226884-0 | WORM GEAR | | 1 | | | | |
| 029 | 413904-1 | MOTOR HOUSING | | 1 | | | | |
| 030 | 652093-9 | PAN HEAD SCREW M2X5 | | 3 | | | | |
| 031 | 620F73-9 | SENSOR UNIT | | 1 | | | | |
| 032 | 652069-6 | FLAT HEAD SCREW M3X6 | | 3 | | | | |
| 033 | 629A85-9 | STATOR | | 1 | | | | |
| 034 | 413980-5 | BAFFLE PLATE | | 1 | | | | |
| 035 | 266326-2 | TAPPING SCREW 4X18 | | 2 | | | | |
| 036 | 210026-6 | BALL BEARING 696ZZ | | 1 | | | | |
| 037 | 519710-3 | ROTOR ASSY | | 1 | | | | |

Model No.UC002G CORDLESS CHAIN SAW 115MM

| 分解圖號 | 零件編號 | 品名 | 交換 | 數量 | New/Old | 選擇1 | 選擇2 | 註記 |
|------|----------|--------------------------------|----|----|---------|-----|-----|----|
| D10 | | INC. 36,38 | | | | | | |
| 038 | 210059-1 | BALL BEARING 6000DDW | | 1 | | | | |
| 039 | 911118-1 | PAN HEAD SCREW M4X12 | | 2 | | | | |
| 040 | 413907-5 | FRONT HAND GUARD RETAINER | | 1 | | | | |
| 041 | 141G09-6 | FRONT HAND GUARD COMPLETE | | 1 | | | | |
| C10 | 8042N9-2 | CAUTION LABEL | | 1 | | | | |
| 042 | 232714-5 | COMPRESSION SPRING 3 | | 1 | | | | |
| 043 | 313212-9 | HAND GUARD GUIDE | | 1 | | | | |
| 044 | 8110T4-5 | UC002G NAME PLATE | | 1 | | | | |
| 045 | 183U56-5 | HOUSING SET | | 1 | | | | |
| C10 | 263005-3 | RUBBER PIN 6 | | 2 | | | | |
| D10 | | INC. 8,19 | | | | | | |
| 046 | 8012U4-2 | XGT LOGO LABEL | | 1 | | | | |
| 047 | 422466-8 | GROMET | | 1 | | | | |
| 048 | 227620-7 | DRIVE GEAR | | 1 | | | | |
| 049 | 227634-6 | STRAIGHT BEVEL GEAR 14 | | 1 | | | | |
| 050 | 347517-5 | TENSION SLIDE | | 1 | | | | |
| 051 | 327317-9 | ADJUST SCREW | | 1 | | | | |
| 052 | 227496-2 | STRAIGHT BEVEL GEAR 14 | | 1 | | | | |
| 053 | 281222-3 | HOOK | | 1 | | | | |
| 054 | 347514-1 | HOOK SUPPORT | | 1 | | | | |
| 055 | 347516-7 | CHAIN CATCHER | | 1 | | | | |
| 056 | 266326-2 | TAPPING SCREW 4X18 | | 1 | | | | |
| 057 | 266326-2 | TAPPING SCREW 4X18 | | 2 | | | | |
| 058 | 346809-9 | SPIKE BUMPER | | 1 | | | | |
| 059 | 141E60-4 | LINK PLATE COMPLETE | | 1 | | | | |
| 060 | 232452-9 | COMPRESSION SPRING 7 | | 1 | | | | |
| 061 | 347864-4 | BRAKE BAND | | 1 | | | | |
| 062 | 413981-3 | HOUSING R COVER | | 1 | | | | |
| 063 | 266326-2 | TAPPING SCREW 4X18 | | 5 | | | | |
| 064 | 162979-4 | BRAKE DRUM | | 1 | | | | |
| 065 | 213060-5 | O RING 10 | | 1 | | | | |
| 066 | 191V90-7 | SPROCKET 6 SET | | 1 | | | | |
| 067 | 961013-5 | STOP RING E-7 | | 1 | | | | |
| 068 | 347533-7 | GUIDE PLATE L | | 1 | | | | |
| 069 | 266905-6 | H.L. SOCKET HEAD BOLT M5X12 | | 1 | | | | |
| 070 | 266007-8 | TAPPING SCREW BIND PT 3X10 | | 1 | | | | |
| 071 | 347534-5 | GUIDE PLATE R | | 1 | | | | |
| 072 | 136573-8 | SPROCKET COVER ASS'Y | | 1 | | | | |
| D10 | | INC. 70,71,73,74,76 | | | | | | |

Model No.UC002G CORDLESS CHAIN SAW 115MM

| 分解圖號 | 零件編號 | 品名 | 交換 | 數量 | New/Old | 選擇1 | 選擇2 | 註記 |
|------|-----------|---------------------|----|----|---------|-----|-----|----|
| 073 | 162494-8 | FLANGE NUT COMPLETE | | 1 | | | | |
| 074 | 413986-3 | NUT COVER | | 1 | | | | |
| 076 | 422310-9 | CHIP GUIDE | | 1 | | | | |
| A01 | 191G14-3 | GUIDE BAR 10 SET | | 1 | | | | |
| A02 | 458501-6 | GUIDE BAR CASE | | 1 | | | | |
| A03 | 199897-3 | OIL VESSEL SET | | 1 | | | | |
| A04 | 199075-5 | SAW CHAIN SET | | 1 | | | | |
| A05 | 782023-7 | WRENCH 13-16 | | 1 | | | | |
| A06 | 195246-2 | SAFETY GOGGLE | | 1 | | | | |
| A07B | 412393-7 | BATTERY COVER | | 2 | | | | |
| A08B | ***DC40RA | DC40RA FAST CHARGER | | 1 | | | | |
| D10 | | COMPO-PARTS | | | | | | |
| A09B | 191B30-5 | BATTERY BL4040 SET | | 2 | | | | |
| A10 | 195923-6 | ROUND FILE 4.5 SET | | 1 | | | | |

Please order the parts with part number.

Print Date 2021/10/8