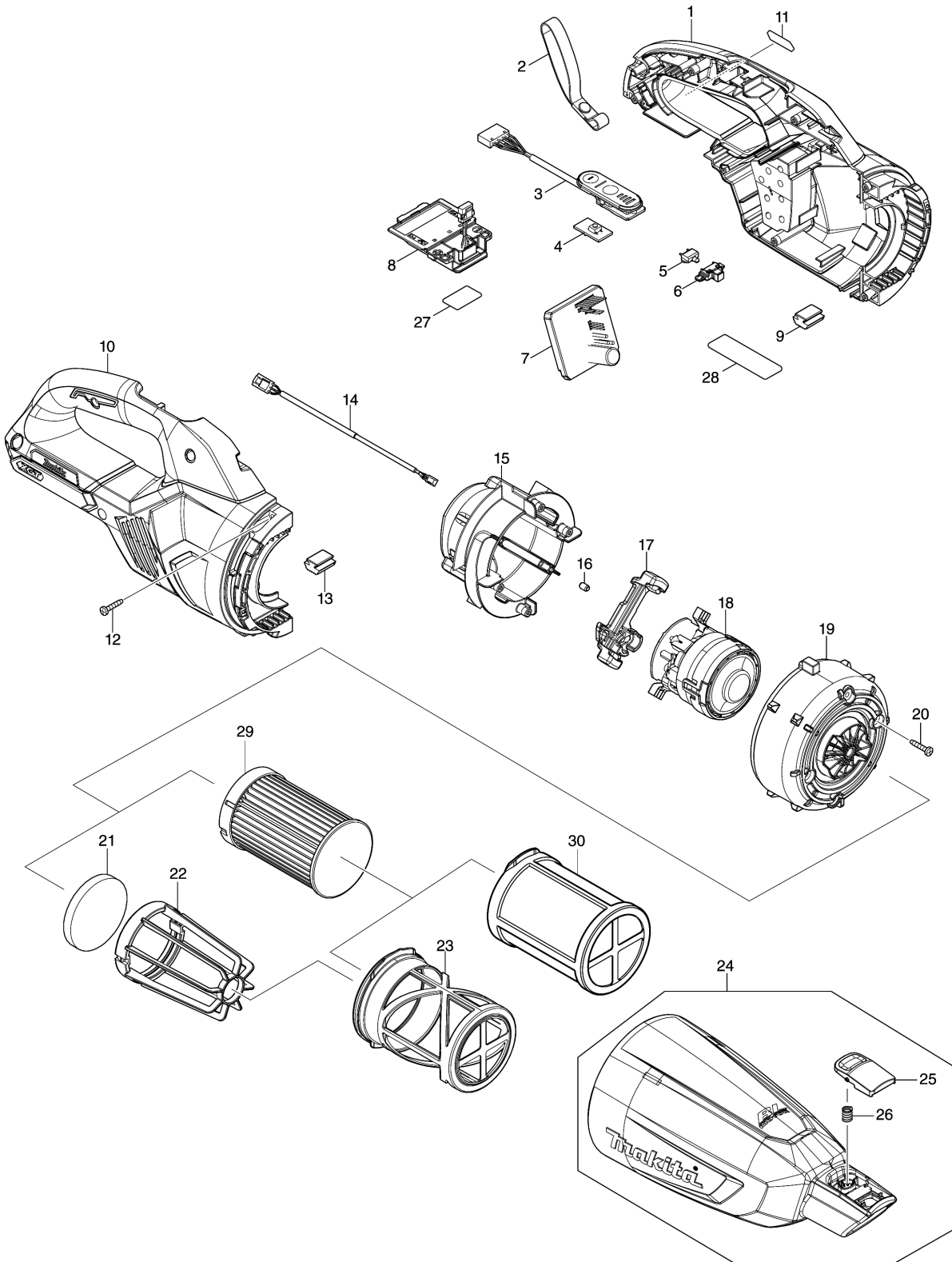


Model No.CL001G CORDLESS CLEANER



Model No.CL001G CORDLESS CLEANER

分解圖號	零件編號	品名	交換	數量	New/Old	選擇1	選擇2	註記
001A	183T43-8	HOUSING SET		1				
001B	183T43-8	HOUSING SET		1				
001C	183T18-7	HOUSING SET		1				
001D	183T18-7	HOUSING SET		1				
C10	263005-3	橡皮銷 6		2				
C20	422714-5	SPONGE SEAT		2				
D10		INC. 9,10,13						
002	163400-6	手提吊帶(手環) F/6503D,6918D		1				
003	141B54-1	INDICATION CIRCUIT COMPLETE		1				
C10	8031J2-9	SWITCH LABEL		1				
004	620E74-1	SWITCH UNIT		1				
005	620E82-2	LED CIRCUIT		1				
006	459478-8	鏡片箱		1				
007	620E90-3	CONTROLLER		1				
C10	688163-8	濾波器		1				
008	632P65-6	電池端座		1				
009	422460-0	橡膠板		1				
010A	183T43-8	HOUSING SET		1				
010B	183T43-8	HOUSING SET		1				
010C	183T18-7	HOUSING SET		1				
010D	183T18-7	HOUSING SET		1				
C10	263005-3	橡皮銷 6		2				
C20	422714-5	SPONGE SEAT		2				
D10		INC. 1,9,13						
011	8005T5-8	XGT LOGO LABEL		1				
012	266429-2	自攻螺絲 3X16		7				
013	422460-0	橡膠板		1				
014	632S32-9	LEAD UNIT		1				
015	141E55-7	MOTOR COVER R COMPLETE		1				
D10		INC. 16						
016	263002-9	橡皮銷 4		4				
017	422723-4	MOTOR COVER SEAL		1				
018	629A46-9	MOTOR ASSEMBLY		1				
019	413645-9	MOTOR COVER F		1				
020	266429-2	自攻螺絲 3X16		4				
023	199966-0	高性能過濾網(含支架)		1				
024A	136449-9	CAPSULE ASSY		1				
024B	136449-9	CAPSULE ASSY		1				
024C	136400-9	CAPSULE ASS'Y		1				
024D	136400-9	CAPSULE ASS'Y		1				
C10	266326-2	螺絲 M4X18		1				

Please order the parts with part number.

Print Date 2021/10/14

Model No.CL001G CORDLESS CLEANER

分解圖號	零件編號	品名	交換	數量	New/Old	選擇1	選擇2	註記
C20	941051-3	F華士 4		1				
C30	424208-6	閘門 F/DCL180Z		1				
D10		INC. 25,26						
025	458939-5	按鈕A		1				
026	232485-4	壓縮彈簧5		1				
027	811M37-8	CL001G SERIAL NO. LABEL		1				
028	811M30-2	CL001G NAME PLATE		1				
029	199989-8	過濾器組 H		1				
A01A	127828-2	NOZZLE ASSEMBLY		1				
A01B	127828-2	NOZZLE ASSEMBLY		1				
A01C	127825-8	NOZZLE ASSEMBLY		1				
A01D	127825-8	NOZZLE ASSEMBLY		1				
A02A	413809-5	SASH NOZZLE		1				
A02B	413809-5	SASH NOZZLE		1				
A02C	413770-6	SASH NOZZLE		1				
A02D	413770-6	SASH NOZZLE		1				
A03A	456585-8	SASH NOZZLE HOLDER		1	*			
A03B	456585-8	SASH NOZZLE HOLDER		1	*			
A03C	459354-6	NOZZLE HOLDER		1				
A03D	459354-6	NOZZLE HOLDER		1				
A03-1A	459038-6	NOZZLE HOLDER	<	1				
A03-1B	459038-6	NOZZLE HOLDER	<	1				
A04A	458942-6	PIPE		1				
A04B	458942-6	PIPE		1				
A04C	459353-8	PIPE		1				
A04D	459353-8	PIPE		1				
A10B	***DC40RA	快速充電器 DC40RA		1				
D10		COMPO-PARTS						
A10D	***DC40RA	快速充電器 DC40RA		1				
D10		COMPO-PARTS						
A11B	191B40-2	鋰電池 BL4025 - 盒裝		1				
A11D	191B40-2	鋰電池 BL4025 - 盒裝		1				
A12B	412393-7	BATTERY COVER		1				
A12D	412393-7	BATTERY COVER		1				

Please order the parts with part number.

Print Date 2021/10/14