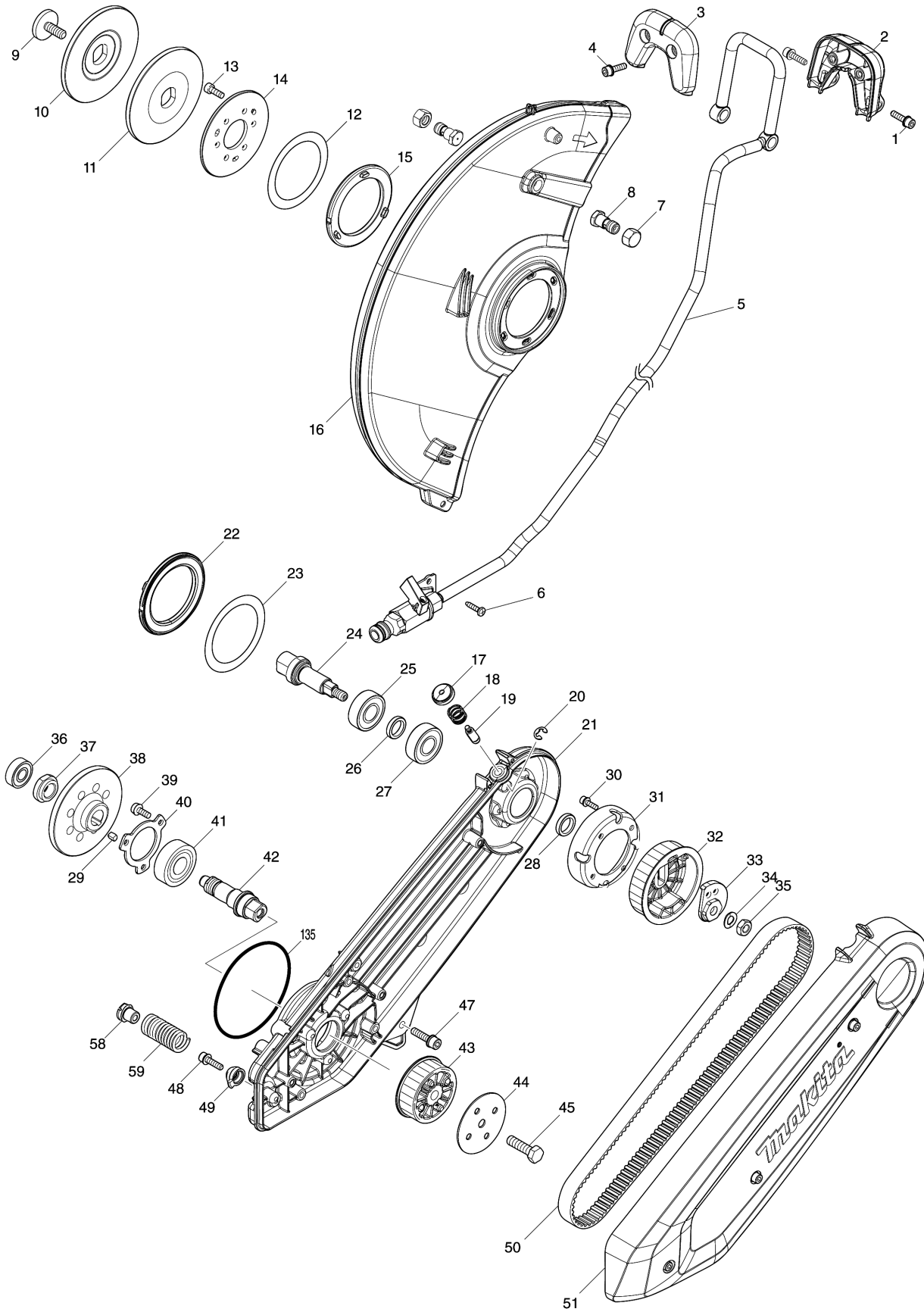
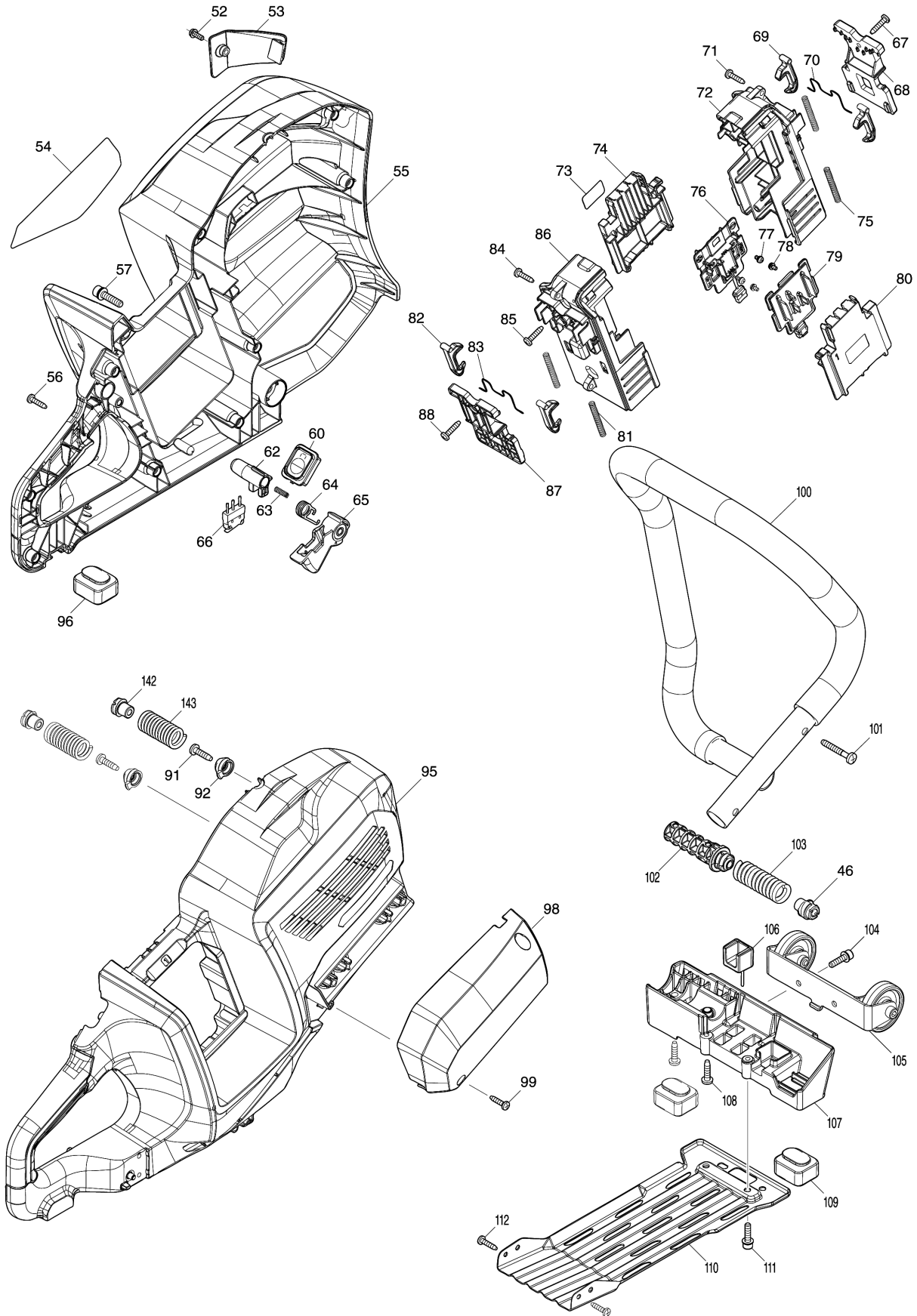


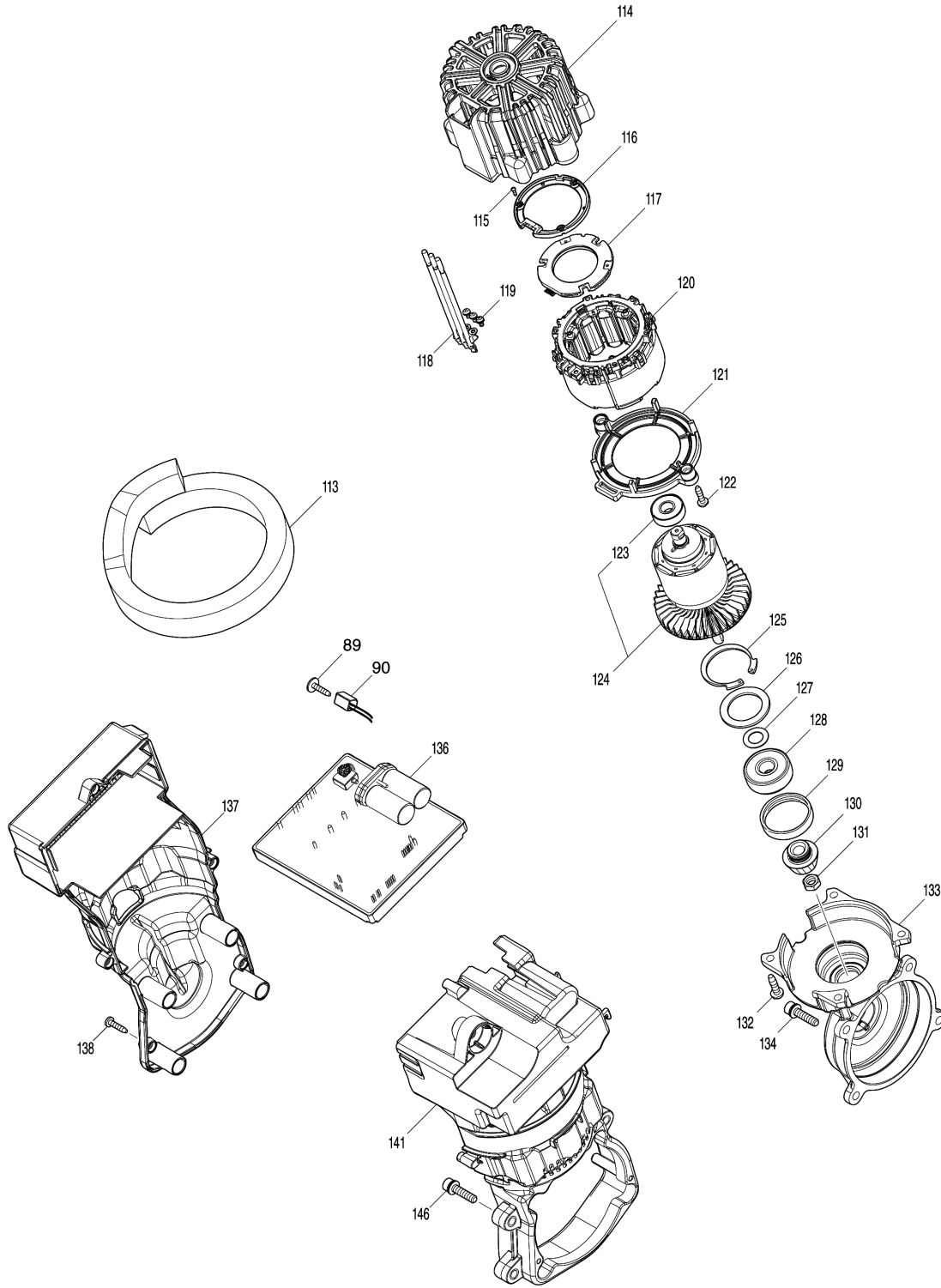
Model No.CE001G 355MM CORDLESS POWER CUTTER



Model No.CE001G 355MM CORDLESS POWER CUTTER



Model No.CE001G 355MM CORDLESS POWER CUTTER



Model No.CE001G 355MM CORDLESS POWER CUTTER

分解圖號	零件編號	品名	交換	數量	New/Old	選擇1	選擇2	註記
001	922233-6	H.S.H.BOLT M5X20 WITH WR		2				
002	183U98-9	WHEEL COVER GRIP SET		1				
D10		INC. 3						
003	183U98-9	WHEEL COVER GRIP SET		1				
D10		INC. 2						
004	922233-6	H.S.H.BOLT M5X20 WITH WR		2				
005	122B46-9	HOSE ASSEMBLY		1				
006	266326-2	TAPPING SCREW 4X18		2				
007	252306-4	HEX.NUT M10		2				
008	265C26-9	HEX.BOLT M10X21		2				
009	266976-3	HEX. BOLT M8X25		1				
010	224622-4	FLANGE 92		1				
011	224622-4	FLANGE 92		1				
012	424792-1	SLIDING DISK		1				
013	922217-4	HEX. SOCKET HEAD BOLT M5X14		6				
014	347917-9	SPINDLE PLATE 83		1				
015	422822-2	RUBBER RING 56		1				
016	312C31-8	WHEEL COVER 355		1				
017	451485-7	PIN CAP		1				
018	233089-5	COMPRESSION SPRING 12		1				
019	256947-8	SHOULDER PIN 7		1				
020	961012-7	STOP RING E-6		1				
021	312C29-5	CUTTING DEVICE		1				
022	422822-2	RUBBER RING 56		1				
023	424792-1	SLIDING DISK		1				
024	327927-2	SPINDLE		1				
025	211238-4	BALL BEARING 6202LLU		1				
026	257868-7	RING 15		1				
027	211238-4	BALL BEARING 6202LLU		1				
028	257868-7	RING 15		1				
029	254201-4	KEY 4		1				
030	922123-3	HEX. SOCKET HEAD BOLT M4X14		2				
031	347915-3	PULLY BOTTOM PLATE		1				
032	222201-2	PULLEY 17-70.5		1				
033	313415-5	ECCENTRIC DISK		1				
034	267822-3	SPRING WASHER 8		1				
035	264022-6	HEX. NUT M8X1		1				

Model No.CE001G 355MM CORDLESS POWER CUTTER

分解圖號	零件編號	品名	交換	數量	New/Old	選擇1	選擇2	註記
036	211062-5	BALL BEARING 6000ZZ		1				
037	252429-8	NUT M15-23		1				
038	227922-1	SPIRAL BEVEL GEAR 53		1				
039	265074-0	PAN HEAD SCREW M5X16		3				
040	285049-3	BEARING RETAINER 33-59		1				
041	211278-2	BALL BEARING 6203DDW		1				
042	327926-4	GEAR SHAFT		1				
043	222202-0	PULLEY 17-54.6		1				
044	347918-7	PULLEY PLATE 59		1				
045	265C27-7	HEX.BOLT M8X30		1				
046	312C35-0	SPRING HOLDER C		1				
047	922343-9	H.S.H.BOLT M6X25 WITH WR		1				
048	922233-6	H.S.H.BOLT M5X20 WITH WR		1				
049	312C33-4	SPRING HOLDER A		1				
050	225106-5	SYNCHRO BELT 15-750		1				
051	141G40-2	BELT COVER COMPLETE		1				
C10	265B09-3	H.S. HEAD BOLT M5X30 WITH WR		3				
052	911118-1	PAN HEAD SCREW M4X12		1				
053	413C66-3	LENS		1				
054	8116C0-0	CE001G NAME PLATE		1				
055	183W18-5	HANDLE SET		1				
C10	8040V4-6	XGT LOGO LABEL		1				
D10		INC. 95						
056	266326-2	TAPPING SCREW 4X18		9				
057	922343-9	H.S.H.BOLT M6X25 WITH WR		1				
058	312C34-2	SPRING HOLDER B		1				
059	232729-2	COMPRESSION SPRING 13		1				
060	141G39-7	SWITCH CIRCUIT COMPLETE		1				
062	413C73-6	LOCK OFF BUTTON		1				
063	232444-8	COMPRESSION SPRING 4		1				
064	232732-3	TORSION SPRING 10		1				
065	413C72-8	SWITCH LEVER		1				
066	632T61-8	SWITCH UNIT		1				
067	266326-2	TAPPING SCREW 4X18		1				
068	413C77-8	LOCK COVER		1				
069	413C76-0	BATTERY ADAPTER LOCK		2				
070	232731-5	LEVER SPRING		1				

Please order the parts with part number.

Print Date 2021/11/29

Model No.CE001G 355MM CORDLESS POWER CUTTER

分解圖號	零件編號	品名	交換	數量	New/Old	選擇1	選擇2	註記
071	266326-2	TAPPING SCREW 4X18		2				
072	183U87-4	TERMINAL BOX SET		1				
C10	263005-3	RUBBER PIN 6		4				
D10		INC. 86						
073	8116C7-6	CE001G SERIAL NO. LABEL		1				
074	183U89-0	BATTERY ADAPTER SET		1	*			
D10		INC. 80			*			
074-1	413C74-4	BATTERY ADAPTER L	X	1				
075	232730-7	COMPRESSION SPRING 5		2				
076	632T08-2	TERMINAL UNIT		1				
077	652031-1	PAN HEAD SCREW M3X6		2				
078	652031-1	PAN HEAD SCREW M3X6		2				
079	632T08-2	TERMINAL UNIT		1				
080	183U89-0	BATTERY ADAPTER SET		1	*			
D10		INC. 74			*			
080-1	413C75-2	BATTERY ADAPTER R	X	1				
081	232730-7	COMPRESSION SPRING 5		2				
082	413C76-0	BATTERY ADAPTER LOCK		2				
083	232731-5	LEVER SPRING		1				
084	266326-2	TAPPING SCREW 4X18		2				
085	266326-2	TAPPING SCREW 4X18		2				
086	183U87-4	TERMINAL BOX SET		1				
C10	263005-3	RUBBER PIN 6		4				
D10		INC. 72						
087	413C77-8	LOCK COVER		1				
088	266326-2	TAPPING SCREW 4X18		1				
089	265620-9	TAPPING SCREW FLANGE 4X18		1				
090	620H50-3	LED CIRCUIT		1				
091	266021-4	TAPPING SCREW 5X20		2				
092	312C33-4	SPRING HOLDER A		2				
095	183W18-5	HANDLE SET		1				
C10	8040V4-6	XGT LOGO LABEL		1				
D10		INC. 55						
096	422823-0	REAR FOOT		1				
098	413C69-7	HOSE COVER		1				
099	266326-2	TAPPING SCREW 4X18		2				
100	327928-0	FRONT GRIP 26		1				
101	266373-3	TAPPING SCREW 5X35		2				
102	413C71-0	SPRING HOLDER D		1				
103	232728-4	COMPRESSION SPRING 12		1				

Model No.CE001G 355MM CORDLESS POWER CUTTER

分解圖號	零件編號	品名	交換	數量	New/Old	選擇1	選擇2	註記
104	922233-6	H.S.H.BOLT M5X20 WITH WR		2				
105	122B47-7	CASTER ASSEMBRY		1				
106	424788-2	DAMPER		1				
107	312C32-6	STAND SUPPORT		1				
108	266021-4	TAPPING SCREW 5X20		2				
109	422823-0	REAR FOOT		2				
110	347916-1	BOTTOM GUARD		1				
111	922233-6	H.S.H.BOLT M5X20 WITH WR		2				
112	266326-2	TAPPING SCREW 4X18		2				
113	422821-4	SPONGE SHEET		1				
114	413C70-2	MOTOR HOUSING		1				
115	266490-9	TAPPING SCREW PT 2X6		3				
116	687B69-9	STOPPER		1				
117	620E26-2	CONTROLLER B		1				
118	632T58-7	LEAD UNIT		1				
119	652031-1	PAN HEAD SCREW M3X6		3				
120	629A92-2	STATOR		1				
121	459144-7	BAFFLE PLATE		1				
122	266326-2	TAPPING SCREW 4X18		2				
123	210059-1	BALL BEARING 6000DDW		1				
124	519717-9	ROTOR ASS'Y		1				
D10		INC. 123						
125	962211-4	RETAINING RING R-42		1				
126	253545-9	FLAT WASHER 28		1				
127	267212-0	FLAT WASHER 12		1				
128	211132-0	BALL BEARING 6301DDW		1				
129	262085-6	RUBBER RING 38		1				
130	227921-3	SPIRAL BEVEL GEAR 15		1				
131	252178-7	HEX. NUT M8-12		1				
132	266021-4	TAPPING SCREW 5X20		4				
133	141G44-4	GEAR HOUSING COMPLETE		1				
134	922343-9	H.S.H.BOLT M6X25 WITH WR		4				
135	213806-9	O RING 90		1				
136	620H49-8	CONTROLLER		1				
137	183U88-2	MOTOR HOUSING COVER SET		1				
D10		INC. 141						
138	266326-2	TAPPING SCREW 4X18		5				

Please order the parts with part number.

Print Date 2021/11/29

Model No.CE001G 355MM CORDLESS POWER CUTTER

分解圖號	零件編號	品名	交換	數量	New/Old	選擇1	選擇2	註記
141	183U88-2	MOTOR HOUSING COVER SET		1				
D10		INC. 137						
142	312C34-2	SPRING HOLDER B		2				
143	232729-2	COMPRESSION SPRING 13		2				
146	922343-9	H.S.H.BOLT M6X25 WITH WR		5				
A01	123121-2	COUPLING SLEEVE		1				
A02	191W53-9	RING SET		1				
A03	782037-6	BOX WRENCH 13-19		1				

Please order the parts with part number.

Print Date 2021/11/29