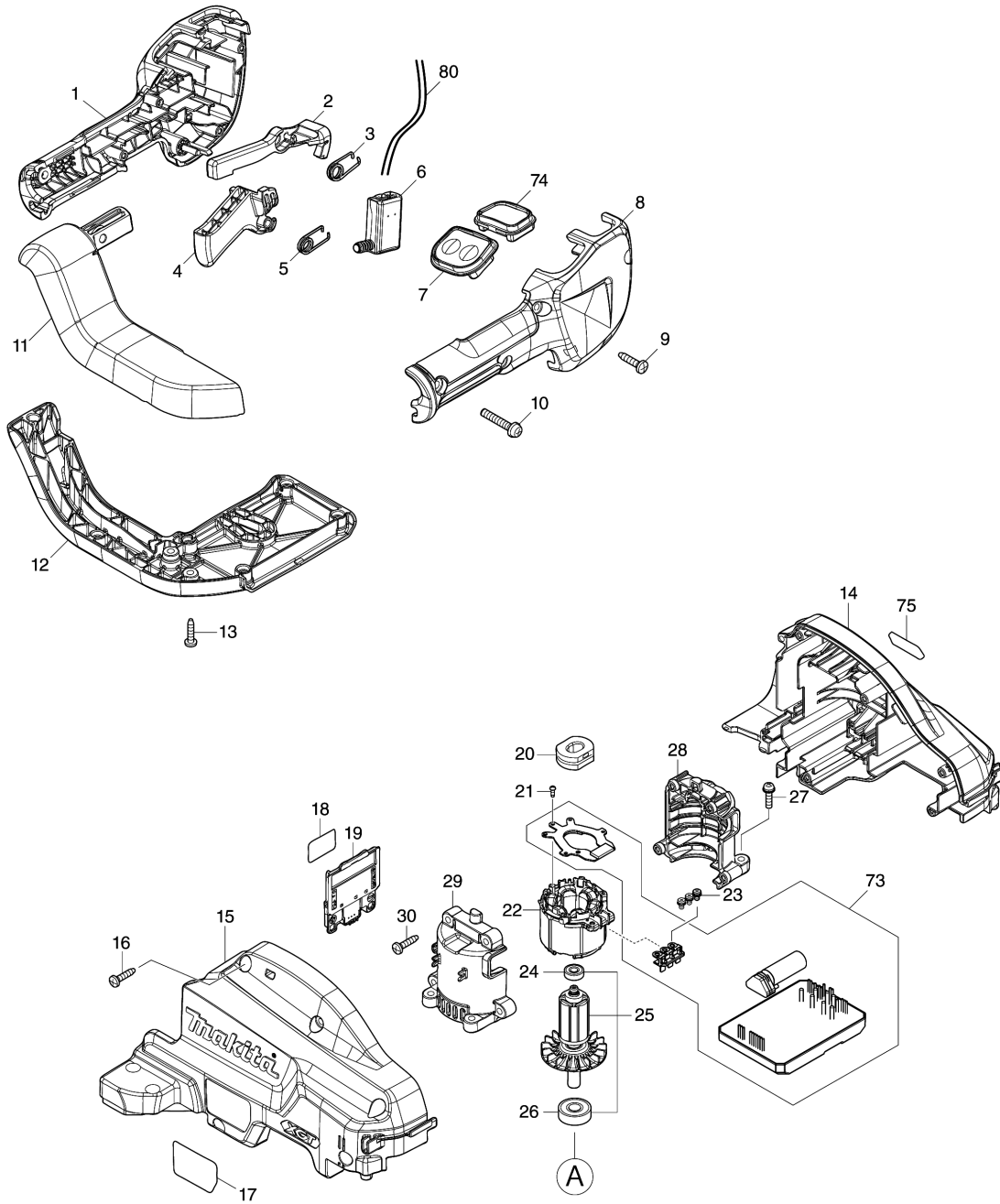
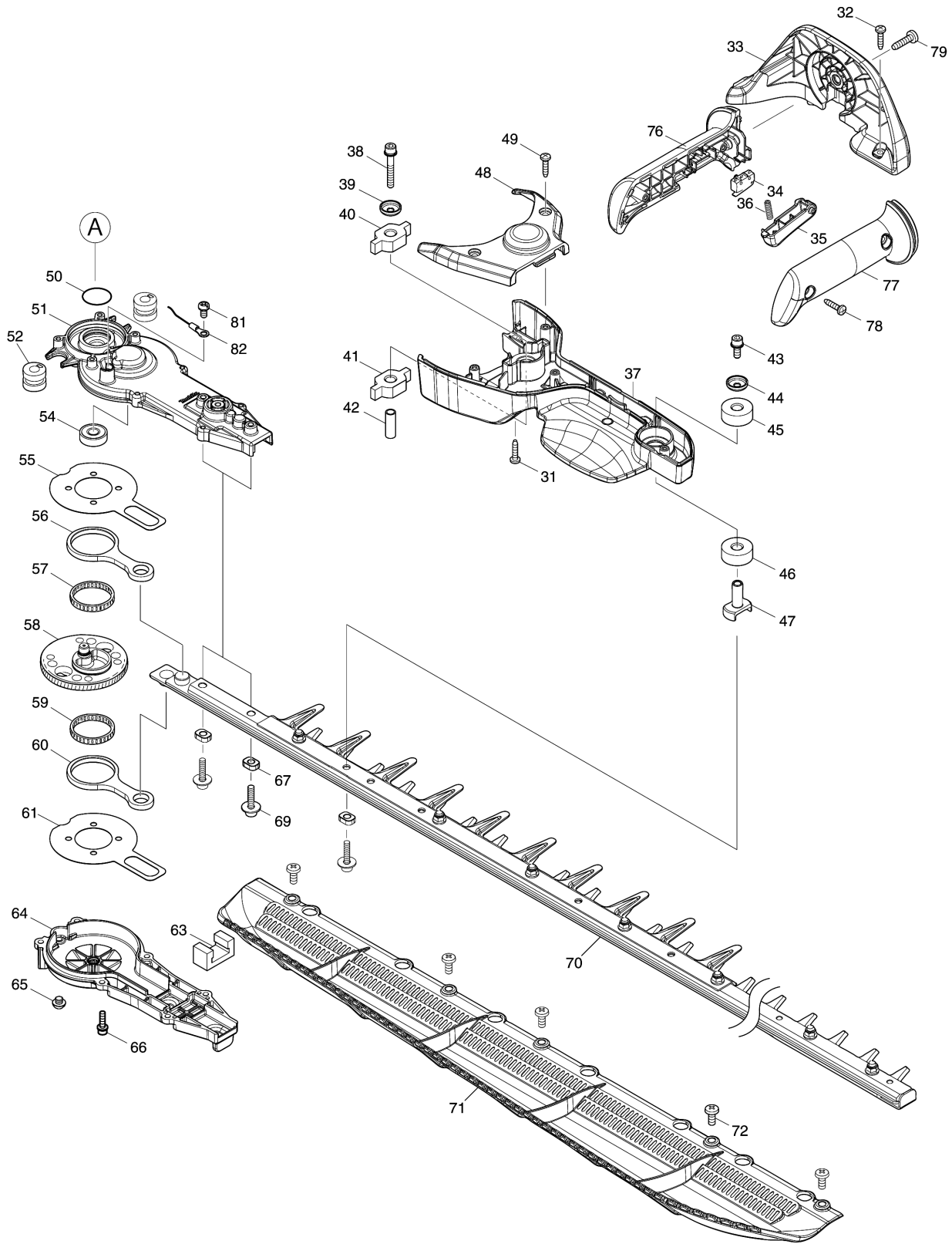


Model No.UH014G 750MM CORDLESS HEDGE TRIMMER



Model No.UH014G 750MM CORDLESS HEDGE TRIMMER



Model No.UH014G 750MM CORDLESS HEDGE TRIMMER

分解圖號	零件編號	品名	交換	數量	New/Old	選擇1	選擇2	註記
001	183U16-7	GRIP SET		1				
C10	252180-0	HEX. LOCK NUT M5-8		1				
D10		INC. 8						
002	455629-1	LOCK OFF LEVER		1				
003	233621-5	TORSION SPRING 9		1				
004	412315-7	SWITCH LEVER R		1				
005	233621-5	TORSION SPRING 9		1				
006	651083-9	SWITCH C3XA-1PSPM		1				
007	141D66-6	SWITCH CIRCUIT COMPLETE E		1				
C10	8034K3-2	SWITCH LABEL		1				
008	183U16-7	GRIP SET		1				
C10	252180-0	HEX. LOCK NUT M5-8		1				
D10		INC. 1						
009	266326-2	TAPPING SCREW 4X18		4				
010	911253-5	PAN HEAD SCREW M5X30		1				
011	413B85-3	GRIP JOINT E		1				
012	413B86-1	GRIP JOINT COVER E		1				
013	266326-2	TAPPING SCREW 4X18		8				
014	183U17-5	HOUSING SET		1				
C10	263005-3	RUBBER PIN 6		2				
C20	424344-8	DAMPER		4				
D10		INC. 15						
015	183U17-5	HOUSING SET		1				
C10	263005-3	RUBBER PIN 6		2				
C20	424344-8	DAMPER		4				
D10		INC. 14						
016	266326-2	TAPPING SCREW 4X18		5				
017	8113B9-7	UH014G NAME PLATE		1				
018	8113C5-2	UH014G SERIAL NO. LABEL		1				
019	632P75-3	TERMINAL UNIT		1				
020	422261-6	RUBBER SLEEVE		1				
021	266490-9	TAPPING SCREW PT 2X6		3				
022	629A75-2	STATOR		1				
023	652069-6	FLAT HEAD SCREW M3X6		3				
024	211157-4	BALL BEARING 695ZZ		1				
025	519693-7	ROTOR ASSY		1				
D10		INC. 24,26						
026	210005-4	BALL BEARING 608DDW		1				
027	911128-8	P.H.SCREW M4X16 WITH WR		4				
028	183S94-5	MOTOR HOUSING SET		1				
D10		INC. 29						

Model No.UH014G 750MM CORDLESS HEDGE TRIMMER

分解圖號	零件編號	品名	交換	數量	New/Old	選擇1	選擇2	註記
029	183S94-5	MOTOR HOUSING SET		1				
D10		INC. 28						
030	266326-2	TAPPING SCREW 4X18		4				
031	266326-2	TAPPING SCREW 4X18		6				
032	266326-2	TAPPING SCREW 4X18		2				
033	413B91-8	FRONT GRIP RETAINER A		1				
034	632T12-1	SWITCH UNIT		1				
035	413B87-9	SWITCH LEVER F		1				
036	232353-1	COMPRESSION SPRING 4		1				
037	141G33-9	FRONT GRIP BASE COMPLETE		1				
C10	8034N8-3	CAUTION LABEL		1				
038	251476-6	H.S.H.BOLT M5X35 WITH WR		1				
039	253544-1	CUP WASHER 5		1				
040	422260-8	RUBBER SLEEVE 8		1				
041	422260-8	RUBBER SLEEVE 8		1				
042	257678-2	SLEEVE 6		1				
043	922218-2	H.S.H.BOLT M5X14 WITH WR		1				
044	253544-1	CUP WASHER 5		1				
045	422813-3	RUBBER SLEEVE 8		1				
046	422813-3	RUBBER SLEEVE 8		1				
047	327919-1	CONNECTOR		1				
048	413B95-0	FRONT GRIP COVER		1				
049	266326-2	TAPPING SCREW 4X18		2				
050	213961-7	O RING 22		1				
051	141J44-2	GEAR HOUSING COMPLETE		1				
C10	263002-9	RUBBER PIN 4		1				
C20	424344-8	DAMPER		1				
052	422725-0	RUBBER SLEEVE 8		2				
054	210223-4	BALL BEARING 608ZZ		1				
055	347361-0	FRICTION PLATE		1				
056	347662-6	CONNECTING ROD		1				
057	212229-8	NEEDLE CAGE 315		1				
058	141C40-8	GEAR COMPLETE		1				
059	212229-8	NEEDLE CAGE 315		1				
060	347662-6	CONNECTING ROD		1				
061	347361-0	FRICTION PLATE		1				
063	443159-4	SEAL		1				
064	141H42-4	GEAR HOUSING COVER COMPLETE		1				
065	266559-9	H.S.BUTTON HEAD BOLT M6X4		1				
066	922128-3	HEX. SOCKET HEAD BOLT M4X16		6				

Model No.UH014G 750MM CORDLESS HEDGE TRIMMER

分解圖號	零件編號	品名	交換	數量	New/Old	選擇1	選擇2	註記
067	310983-9	SLEEVE 5		3				
069	265A89-3	H.S.H.BOLT M5X25 WITH WR		3				
070	191Y05-2	SHEAR BLADE 750E SET		1				
C10	188605-7	OIL VESSEL SET		1				
C20	310983-9	SLEEVE 5		3				
071	191D34-9	CHIP RECEIVER 750 SET		1				
072	265B57-2	BINDING HEAD SCREW M5X12		5				
073	620G85-8	CONTROLLER		1				
074	140W63-3	INDICATION CIRCUIT COMPLETE		1				
075	8025F3-0	XGT LOGO LABEL		1				
076	183U18-3	FRONT GRIP SET		1				
D10		INC. 77						
077	183U18-3	FRONT GRIP SET		1				
D10		INC. 76						
078	266326-2	TAPPING SCREW 4X18		2				
079	266420-0	TAPPING SCREW 5X20		1				
080	638A24-8	LEAD UNIT		1				
A01	413B99-2	BLADE COVER 750		1				
A02B	***DC40RA	DC40RA FAST CHARGER		1				
D10		COMPO-PARTS						
A03B	191B30-5	BATTERY BL4040 SET		1				
A06	195246-2	SAFETY GOGGLE		1				

Please order the parts with part number.

Print Date 2021/9/29