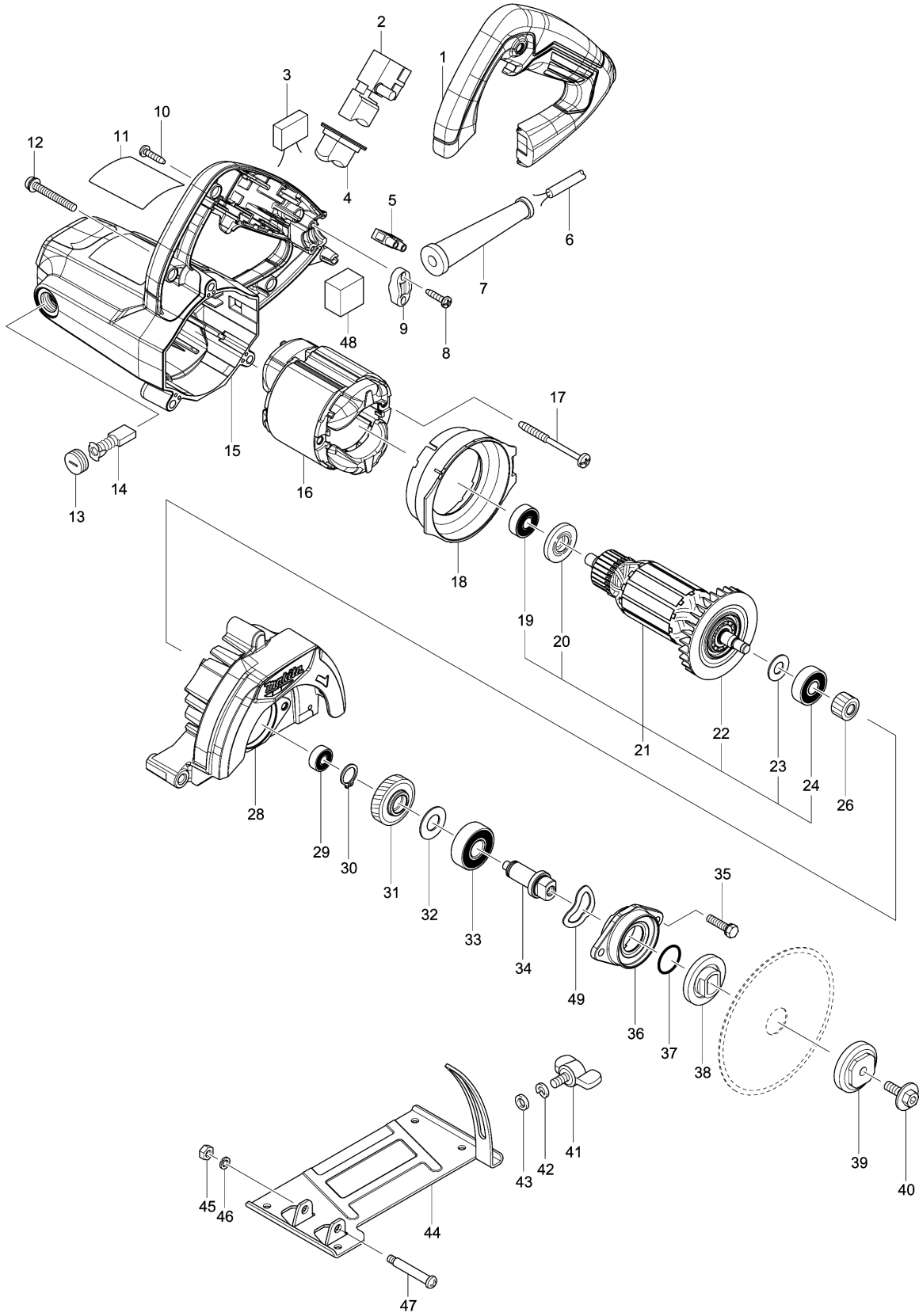


Model No.M0400 110MM CUTTER



Model No.M0400 110MM CUTTER

分解圖號	零件編號	品名	交換	數量	New/Old	選擇1	選擇2	註記
001	456032-9	HANDLE COVER		1				
002	650239-1	SWITCH FA1-6/1B		1				
003	645240-9	NOISE SUPPRESSOR		1				
004	424585-6	DUST COVER		1	*			
004-1	421812-2	DUST COVER	<	1				
005	654588-8	TERMINAL BLOCK		1	*			
005-1	654532-5	TERMINAL BLOCK 1P	O	1				
006	694407-6	POWER SUPPLY CORD 1.0-2-2.0		1				
007	682516-3	CORD GUARD 9.3-85		1				
008	266841-6	TAPPING SCREW 4X18		2				
009	687124-5	STRAIN RELIEF		1				
010	266841-6	TAPPING SCREW 4X18		4				
011	850P25-8	M0400 NAME PLATE		1				
012	265104-7	PAN HEAD SCREW M5X40		3				
013	644500-6	HOLDER CAP 7X11		2	*			
013-1	643750-0	BRUSH HOLDER CAP 7-11	O	2				
014	191963-2	CARBON BRUSH CB-303		1				
015	143276-7	MOTOR HOUSING COMPLETE		1	*			
C10	644501-4	BRUSH HOLDER 5X11		2	*			
015-1	144141-3	MOTOR HOUSING COMPLETE	<	1				
C10	644501-4	BRUSH HOLDER 5X11		2				
016	594623-9	FIELD ASS'Y 220V		1	*			
C10	654220-4	RING TERMINAL		2	*			
C20	654501-6	CONNECTOR P-1.25		2	*			
016-1	593953-5	FIELD ASS'Y 220V	>	1				
C10	654220-4	RING TERMINAL		2	*			
C11	654449-2	RING TERMINAL	O	2				
C20	654501-6	CONNECTOR P-1.25		2	*			
C21	654485-8	PARALLEL SPLICE	>	2				
017	266826-2	TAPPING SCREW 5X60		2				
018	454369-8	BAFFLE PLATE		1				
019	210046-0	BALL BEARING 608ZZ		1				
020	681644-1	INSULATION WASHER		1				
021	513878-7	ARMATURE ASS'Y 220V		1				
D10		INC. 19,20,22-24						
022	240053-9	FAN 65		1				
023	267231-6	FLAT WASHER 9		1				
024	211488-1	BALL BEARING 629DDW		1				

Model No.M0400 110MM CUTTER

分解圖號	零件編號	品名	交換	數量	New/Old	選擇1	選擇2	註記
026	227762-7	HELICAL GEAR 14		1				
028	142985-5	BLADE CASE COMPLETE		1				
C10	263002-9	RUBBER PIN 4		1				
029	210137-7	BALL BEARING 606ZZ		1				
030	257993-4	RETAINING RING (EXT) S-12		1				
031	227763-5	HELICAL GEAR 32		1				
032	267238-2	FLAT WASHER 12		1				
033	211345-3	BALL BEARING 6201DDW		1				
034	326561-5	SPINDLE		1				
035	265497-2	+ HEX. BOLT M5X20		2				
036	319254-1	BEARING BOX		1				
037	213279-6	O RING 18		1				
038	224080-4	INNER FLANGE 36		1				
039	224081-2	OUTER FLANGE 36		1				
040	266510-9	HEX. SOCKET HEX. BOLT M6X18		1				
041	265754-8	THUMB SCREW M6X12		1				
042	942151-2	SPRING WASHER 6		1	*			
042-1	253428-3	SPRING WASHER 6	O	1	*			
043	941151-9	FLAT WASHER 6		1				
044	346850-2	BASE		1				
045	252137-1	HEX. NUT M5-8		1				
046	942101-7	SPRING WASHER 5		1	*			
046-1	253427-5	SPRING WASHER 5	O	1				
047	265091-0	+ PAN HEAD SCREW M5		1				
048	424676-3	SPONGE		1				
049	267785-3	WAVE WASHER 23		1				
A01	781041-2	WRENCH 22		1				
A02	783217-7	HEX. WRENCH 5		1				
E01	689055-4	RING TERMINAL RETAINER 15.5		2				

Please order the parts with part number.

Print Date 2022/2/11