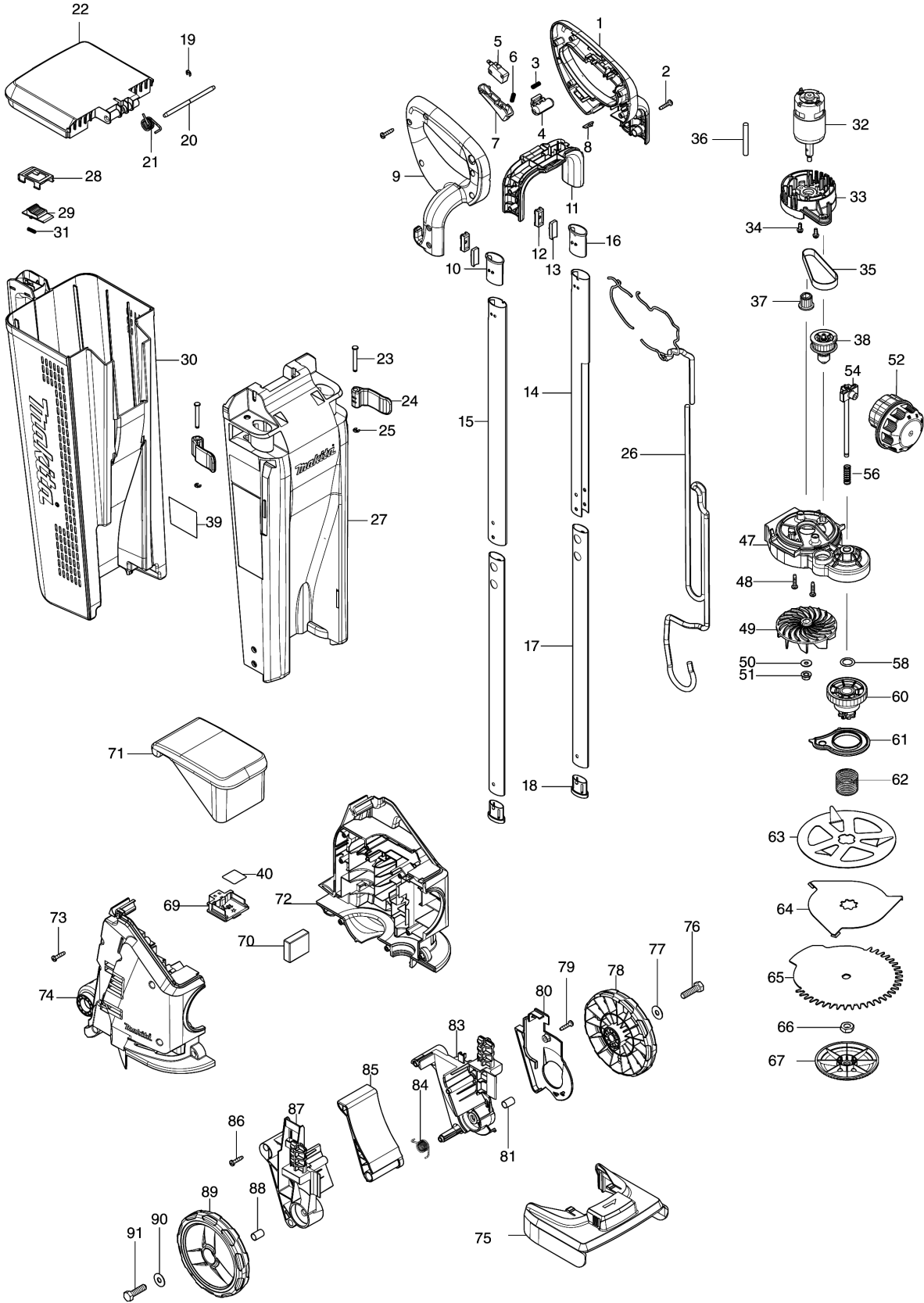


Model No.DLM160 160MM CORDLESS LAWN MOWER



Model No.DLM160 160MM CORDLESS LAWN MOWER

分解圖號	零件編號	品名	交換	數量	New/Old	選擇1	選擇2	註記
001	183N77-5	HANDLE SET		1				
D10		INC. 9						
002	266424-2	TAPPING SCREW 4X20		9				
003	231473-8	COMPRESSION SPRING 4		1				
004	459993-2	LOCK OFF BUTTON		1				
005	650744-8	SWITCH D3V-16-3C26		1				
006	231473-8	COMPRESSION SPRING 4		1				
007	459992-4	SWITCH LEVER		1				
008	620C94-3	LED CIRCUIT		1				
009	183N77-5	HANDLE SET		1				
D10		INC. 1						
010	412725-8	UPPER STOPPER R		1				
011	412254-1	HANDLE COVER		1				
012	452580-6	HOLDER		2				
013	424391-9	LOCK RUBBER		2				
014	327465-4	LOWER PIPE L		1				
015	327464-6	LOWER PIPE R		1				
016	412724-0	UPPER STOPPER L		1				
017	327466-2	UPPER PIPE		2				
018	452578-3	LOWER STOPPER		2				
019	961011-9	STOP RING E-4		1				
020	256938-9	ROD 5		1				
021	232580-0	TORSION SPRING 13		1				
022	412255-9	DUST BOX COVER		1				
023	256937-1	SHOULDER PIN 5		2				
024	452572-5	LOCK LEVER		2				
025	961011-9	STOP RING E-4		2				
026	699140-5	POWER SUPPLY CORD UNIT		1				
027	141E65-4	FRONT COVER COMPLETE		1				
C10	8040Y8-9	CAUTION LABEL		1				
028	412251-7	LOCK LEVER HOLDER		1				
029	459995-8	LOCK LEVER		1				
030	412250-9	DUST BOX		1				
031	231473-8	COMPRESSION SPRING 4		1				
032	629469-5	DC MOTOR		1				
033	140P60-7	BEARING BOX COMPLETE		1				
034	911118-1	PAN HEAD SCREW M4X12		2				
035	225103-1	SYNCHRO BELT 10-210		1				
036	699141-3	POWER SUPPLY CORD UNIT		1				
037	222195-1	PULLEY 14-16.4		1				
038	127430-1	SPINDLE ASSEMBLY		1				
039	811U39-2	DLM160 NAME PLATE		1				

Please order the parts with part number.

Print Date 2021/5/24

Model No.DLM160 160MM CORDLESS LAWN MOWER

分解圖號	零件編號	品名	交換	數量	New/Old	選擇1	選擇2	註記
040	811U41-5	DLM160 SERIAL NO. LABEL		1				
047	459974-6	GEAR CASE		1				
048	266424-2	TAPPING SCREW 4X20		2				
049	240206-0	FAN 86		1				
050	253804-1	FLAT WASHER 6		1				
051	264073-9	CORNED DISC SPRING HEX NUT M6		1				
052	412245-2	DIAL 70		1				
054	140V84-9	RACK CAM COMPLETE		1				
056	232582-6	COMPRESSION SPRING 8		1				
058	253837-6	FLAT WASHER 14		1				
060	140U83-5	SPUR GEAR COMPLETE		1				
061	412380-6	GEAR CASE COVER		1				
062	232579-5	COMPRESSION SPRING 27		1				
063	327461-2	GUARD PLATE		1				
064	A-48957	ROTARY BLADE 160		1				
065	A-70334	FIXED BLADE 160		1				
066	264080-2	HEX. LOCK NUT M10-17		1				
067	459987-7	UNDER PLATE		1				
069	643852-2	TERMINAL		1				
070	620C93-5	CONTROLLER		1				
071	412244-4	BATTERY COVER		1				
072	183P80-8	HOUSING SET		1				
D10		INC. 74						
073	266424-2	TAPPING SCREW 4X20		12				
074	183P80-8	HOUSING SET		1				
D10		INC. 72						
075	412253-3	COLLECT GUIDE		1				
076	921452-1	HEX. BOLT M8X30		1				
077	253731-2	FLAT WASHER 8		1				
078	459982-7	WHEEL 130		1				
079	266424-2	TAPPING SCREW 4X20		1				
080	412248-6	HINGE COVER		1				
081	257482-9	SLEEVE 8		1				
083	183N75-9	HINGE SET		1				
D10		INC. 87						
084	232581-8	TORSION SPRING 13		1				
085	412249-4	DUST COVER		1				
086	266424-2	TAPPING SCREW 4X20		3				
087	183N75-9	HINGE SET		1				
D10		INC. 83						
088	257482-9	SLEEVE 8		1				

Model No.DLM160 160MM CORDLESS LAWN MOWER

分解圖號	零件編號	品名	交換	數量	New/Old	選擇1	選擇2	註記
089	459982-7	WHEEL 130		1				
090	253731-2	FLAT WASHER 8		1				
091	921452-1	HEX. BOLT M8X30		1				
A01	782036-8	OFFSET WRENCH 17		1				

Please order the parts with part number.

Print Date 2021/5/24