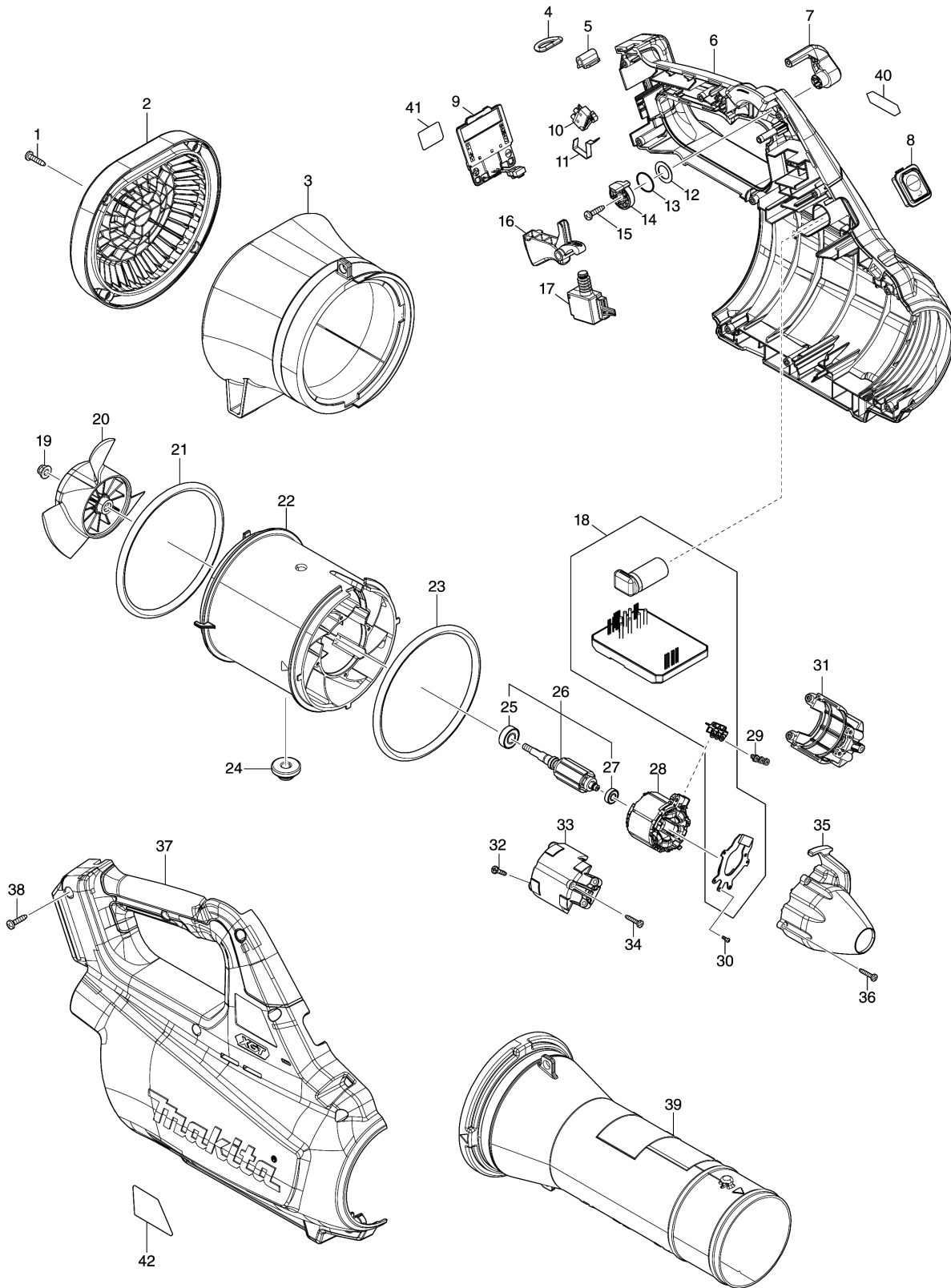


Model No.UB001G CORDLESS BLOWER



Model No.UB001G CORDLESS BLOWER

| 分解圖號 | 零件編號     | 品名                         | 交換 | 數量 | New/Old | 選擇1 | 選擇2 | 註記 |
|------|----------|----------------------------|----|----|---------|-----|-----|----|
| 001  | 266326-2 | 螺絲 M4X18                   |    | 4  |         |     |     |    |
| 002  | 413368-9 | REAR COVER                 |    | 1  |         |     |     |    |
| 003  | 140Y68-5 | REAR HOUSING COMPLETE      |    | 1  |         |     |     |    |
| C10  | 422668-6 | SPONGE                     |    | 4  |         |     |     |    |
| 004  | 327742-4 | D RING 20                  |    | 1  |         |     |     |    |
| 005  | 347783-4 | RING SUPPORT               |    | 1  |         |     |     |    |
| 006  | 183T07-2 | HOUSING SET                |    | 1  |         |     |     |    |
| C10  | 263005-3 | 橡皮銷 6                      |    | 2  |         |     |     |    |
| C20  | 8011Y4-4 | CAUTION LABEL              |    | 1  |         |     |     |    |
| D10  |          | INC. 37                    |    |    |         |     |     |    |
| 007  | 412755-9 | CONTROL LEVER              |    | 1  |         |     |     |    |
| 008  | 140X08-7 | SWITCH CIRCUIT COMPLETE    |    | 1  |         |     |     |    |
| C10  | 810D46-0 | SWITCH LABEL               |    | 1  |         |     |     |    |
| 009  | 632P65-6 | 電池端座                       |    | 1  |         |     |     |    |
| 010  | 632L48-2 | 開關元件                       |    | 1  |         |     |     |    |
| 011  | 232634-3 | LEAF SPRING                |    | 1  |         |     |     |    |
| 012  | 253798-0 | F華士 13                     |    | 1  |         |     |     |    |
| 013  | 213154-6 | O圈 14 F/6801N              |    | 1  |         |     |     |    |
| 014  | 412754-1 | LINK                       |    | 1  |         |     |     |    |
| 015  | 266326-2 | 螺絲 M4X18                   |    | 1  |         |     |     |    |
| 016  | 412756-7 | SWITCH LEVER               |    | 1  |         |     |     |    |
| 017  | 651496-4 | SWITCH C3JR-1AT-PAXD3      |    | 1  |         |     |     |    |
| 018  | 620E14-9 | CONTROLLER                 |    | 1  |         |     |     |    |
| 019  | 252286-4 | COLLARED HEX.LOCK NUT M5-8 |    | 1  |         |     |     |    |
| 020  | 240177-1 | 風葉110                      |    | 1  |         |     |     |    |
| 021  | 424721-4 | 橡膠圈115                     |    | 1  |         |     |     |    |
| 022  | 413366-3 | FAN HOUSING                |    | 1  |         |     |     |    |
| 023  | 424721-4 | 橡膠圈115                     |    | 1  |         |     |     |    |
| 024  | 424194-1 | 橡膠圈8                       |    | 1  |         |     |     |    |
| 025  | 210040-2 | 軸承698LLU                   |    | 1  |         |     |     |    |
| 026  | 519580-0 | 轉子ASS'Y                    |    | 1  |         |     |     |    |
| D10  |          | INC. 25,27                 |    |    |         |     |     |    |
| 027  | 211157-4 | 球軸承695ZZ                   |    | 1  |         |     |     |    |
| 028  | 629A49-3 | STATOR                     |    | 1  |         |     |     |    |
| 029  | 652069-6 | 平頭螺絲M3X6                   |    | 3  |         |     |     |    |
| 030  | 266490-9 | 盤頭螺絲 PT 2X6                |    | 3  |         |     |     |    |
| 031  | 183M64-8 | 電機外殼組                      |    | 1  |         |     |     |    |
| D10  |          | INC. 33                    |    |    |         |     |     |    |
| 032  | 266130-9 | 螺絲 PT3X6                   |    | 4  |         |     |     |    |
| 033  | 183M64-8 | 電機外殼組                      |    | 1  |         |     |     |    |
| D10  |          | INC. 31                    |    |    |         |     |     |    |

Model No.UB001G CORDLESS BLOWER

| 分解圖號 | 零件編號      | 品名                      | 交換 | 數量 | New/Old | 選擇1 | 選擇2 | 註記 |
|------|-----------|-------------------------|----|----|---------|-----|-----|----|
| 034  | 266130-9  | 螺絲 PT3X6                |    | 2  |         |     |     |    |
| 035  | 413365-5  | CAP                     |    | 1  |         |     |     |    |
| 036  | 266130-9  | 螺絲 PT3X6                |    | 4  |         |     |     |    |
| 037  | 183T07-2  | HOUSING SET             |    | 1  |         |     |     |    |
| C10  | 263005-3  | 橡皮銷 6                   |    | 2  |         |     |     |    |
| C20  | 8011Y4-4  | CAUTION LABEL           |    | 1  |         |     |     |    |
| D10  |           | INC. 6                  |    |    |         |     |     |    |
| 038  | 266326-2  | 螺絲 M4X18                |    | 10 |         |     |     |    |
| 039  | 413367-1  | FRONT PIPE              |    | 1  |         |     |     |    |
| 040  | 8030S0-0  | XGT LOGO LABEL          |    | 1  |         |     |     |    |
| 041  | 811D71-4  | UB001G SERIAL NO. LABEL |    | 1  |         |     |     |    |
| 042  | 811D64-1  | UB001G NAME PLATE       |    | 1  |         |     |     |    |
| A01  | 166094-6  | 肩帶 F/DUB362             |    | 1  |         |     |     |    |
| A02  | 412758-3  | END NOZZLE 80           |    | 1  |         |     |     |    |
| A03  | 191L96-5  | ADAPTER PIPE 85-72 SET  |    | 1  |         |     |     |    |
| A04  | 183P97-1  | EXTENSION NOZZLE SET    |    | 1  |         |     |     |    |
| A05  | 183P98-9  | FLAT NOZZLE SET         |    | 1  |         |     |     |    |
| A06B | ***DC40RA | 快速充電器 DC40RA            |    | 1  |         |     |     |    |
| D10  |           | COMPO-PARTS             |    |    |         |     |     |    |
| A07B | 412393-7  | BATTERY COVER           |    | 2  |         |     |     |    |
| A08B | 191B30-5  | 鋰電池 BL4040 - 盒裝         |    | 2  |         |     |     |    |

Please order the parts with part number.

Print Date 2021/5/24