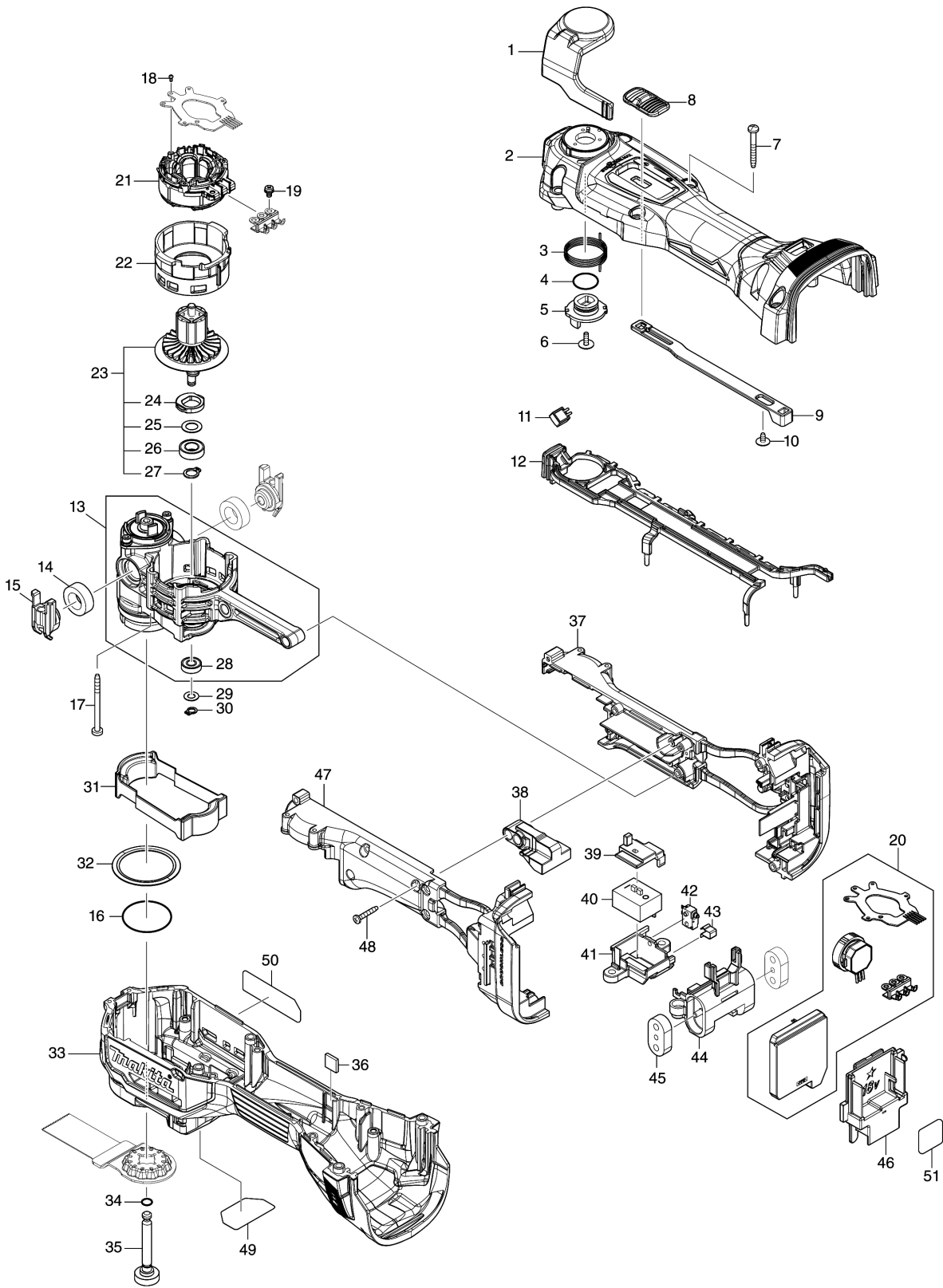


Model No.DTM52 CORDLESS MULTI TOOL



Model No.DTM52 CORDLESS MULTI TOOL

分解圖號	零件編號	品名	交換	數量	New/Old	選擇1	選擇2	註記
001	140Y95-2	LEVER COMPLETE		1				
C10	263032-0	橡膠銷 4		1				
002	183S78-3	HOUSING SET		1				
D10		INC. 33,36						
003	232680-6	TORSION SPRING 25		1				
004	213070-2	O圈10 F/HR3000C		1				
005	313364-6	DRIVER B		1				
006	265B82-3	P.H.SCREW M3X10 WITH WR		1				
007	266351-3	螺絲 4X35		8				
008	413395-6	SWITCH KNOB		1				
009	413396-4	SWITCH LEVER A		1				
010	265B81-5	TAPPING SCREW FLANGE 3X6		1				
011	620E79-1	LED CIRCUIT		1				
012	413400-9	LED GUIDE		1				
013	136394-8	CRANK HOUSING ASSY		1	*			
D10		INC. 28			*			
013-1	136529-1	CRANK HOUSING ASS'Y	<	1				
D10		INC. 28						
014	422677-5	CUSHION F		2				
015	413401-7	CUSSION SUPPORT F		2				
016	213497-6	O-RING 31.5		1				
017	266327-0	TAPPING SCREW 3X40		4				
018	266490-9	盤頭螺絲 PT 2X6		3				
019	652069-6	平頭螺絲M3X6		3				
020	620E78-3	CONTROLLER		1				
021	629A56-6	STATOR		1				
022	413394-8	MOTOR HOUSING		1				
023	519683-0	ROTOR ASSY		1				
D10		INC. 24-27						
024	313361-2	BALANCER		1				
025	253777-8	平墊圈 8		1				
026	210249-6	BALL BEARING 688LLU		1				
027	961004-6	擋圈 S-8		1				
028	210039-7	軸承 F/BGA402R		1				
029	253811-4	F華士5		1				
030	961008-8	RETAINING RING S-5		1				
031	422721-8	CAP		1				
032	422682-2	RUBBER RING 35		1				
033	183S78-3	HOUSING SET		1				
D10		INC. 2,36						
034	213032-0	O圈4 F/GA4032		1				
035	327769-4	HOLDER BOLT		1				

Please order the parts with part number.

Print Date 2021/5/24

Model No.DTM52 CORDLESS MULTI TOOL

分解圖號	零件編號	品名	交換	數量	New/Old	選擇1	選擇2	註記
036	422679-1	CUSHION M		2				
037	183S69-4	INNER HOUSING SET		1				
D10		INC. 47						
038	313365-4	WEIGHT		1				
039	413397-2	SWITCH LEVER B		1				
040	650000-6	SWITCH BSW-1125A-17		1				
041	413398-0	SWITCH BASE		1				
042	632S34-5	SWITCH UNIT		1				
043	232706-4	LEAF SPRING		1				
044	413399-8	SWITCH COVER		1				
045	422678-3	CUSHION R		2				
046	643874-2	接線端子		1				
047	183S69-4	INNER HOUSING SET		1				
D10		INC. 37						
048	265935-4	攻牙螺絲3X20		8				
049	8032F3-5	INDICATION LABEL		1				
050	811E24-9	DTM52 NAME PLATE		1				
051	811E32-0	DTM52 SERIAL NO. LABEL		1				
A01	191R02-6	DUST ATTACHMENT SET		1				
A05	141C32-7	PLASTIC CASE COMPLETE		1				
C10	162302-3	推板(充電式使用)		2				
A07	8032M2-6	DTM52ZKX1 MODEL NO. LABEL		1				
A09	821852-4	TOOL BOX		1				
C10	413608-5	SLIDE LATCH		1				
A10	B-64814	STARLOCK直切鋸片32 (TMA047)-木材及金屬		1				
A11	B-64799	STARLOCK半圓鋸片85 (TMA045)-木材及金屬		1				
A12	B-64939	STARLOCK CUTSAW 32 TMA059 BIM		1				
A13	B-66400	BOW SHAPE PLUNGE CUT SAWBLADE		1				
A14	B-21624	三角形砂紙 木工 60/10		1				
A15	B-22947	三角形砂紙 石材 100/10		1				
A16	B-22953	三角形砂紙 木工 #150/10p		1				
A17	B-65115	STARLOCK三角形砂紙墊(魔鬼氈) (TMA078)		1				

Please order the parts with part number.

Print Date 2021/5/24