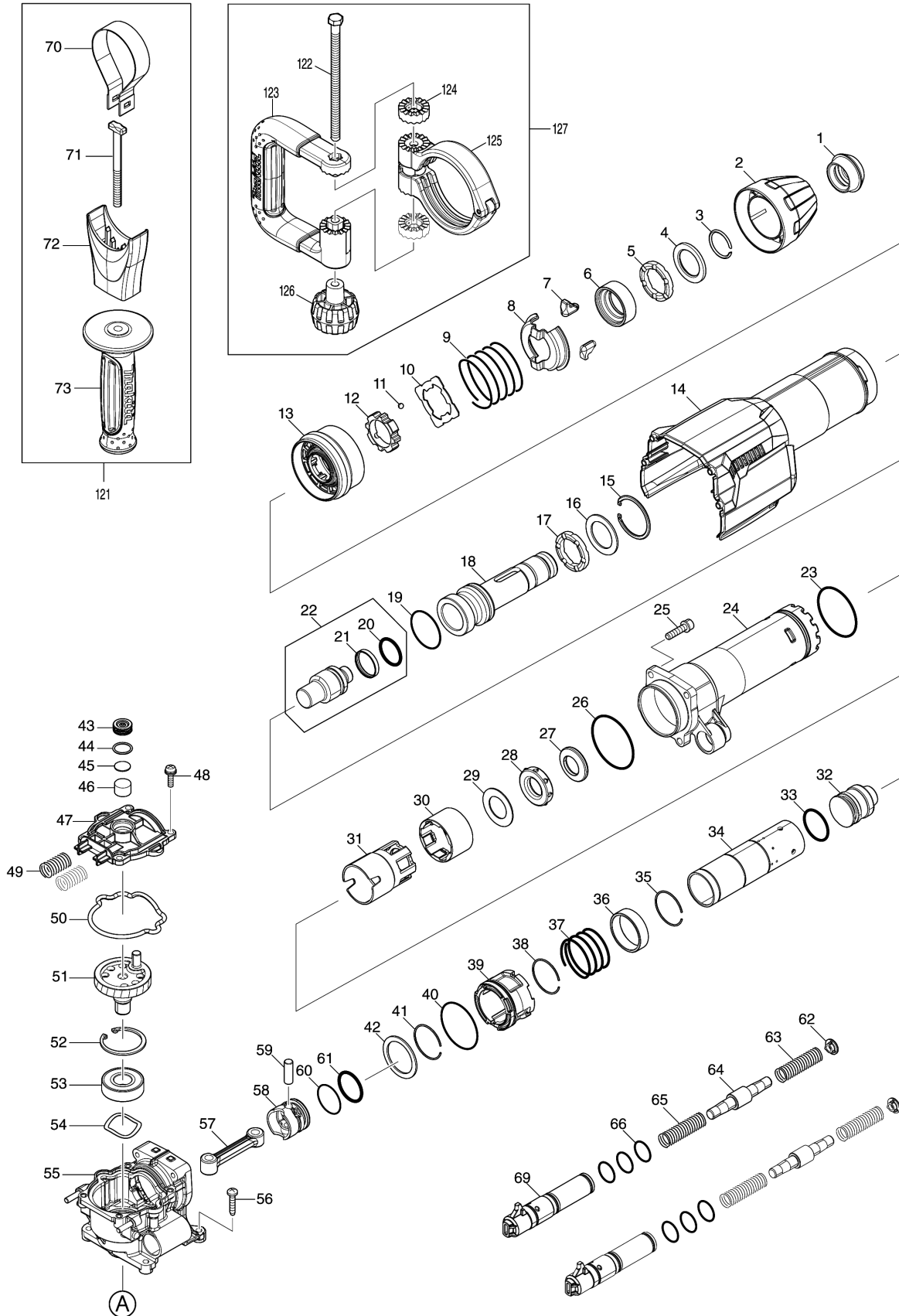
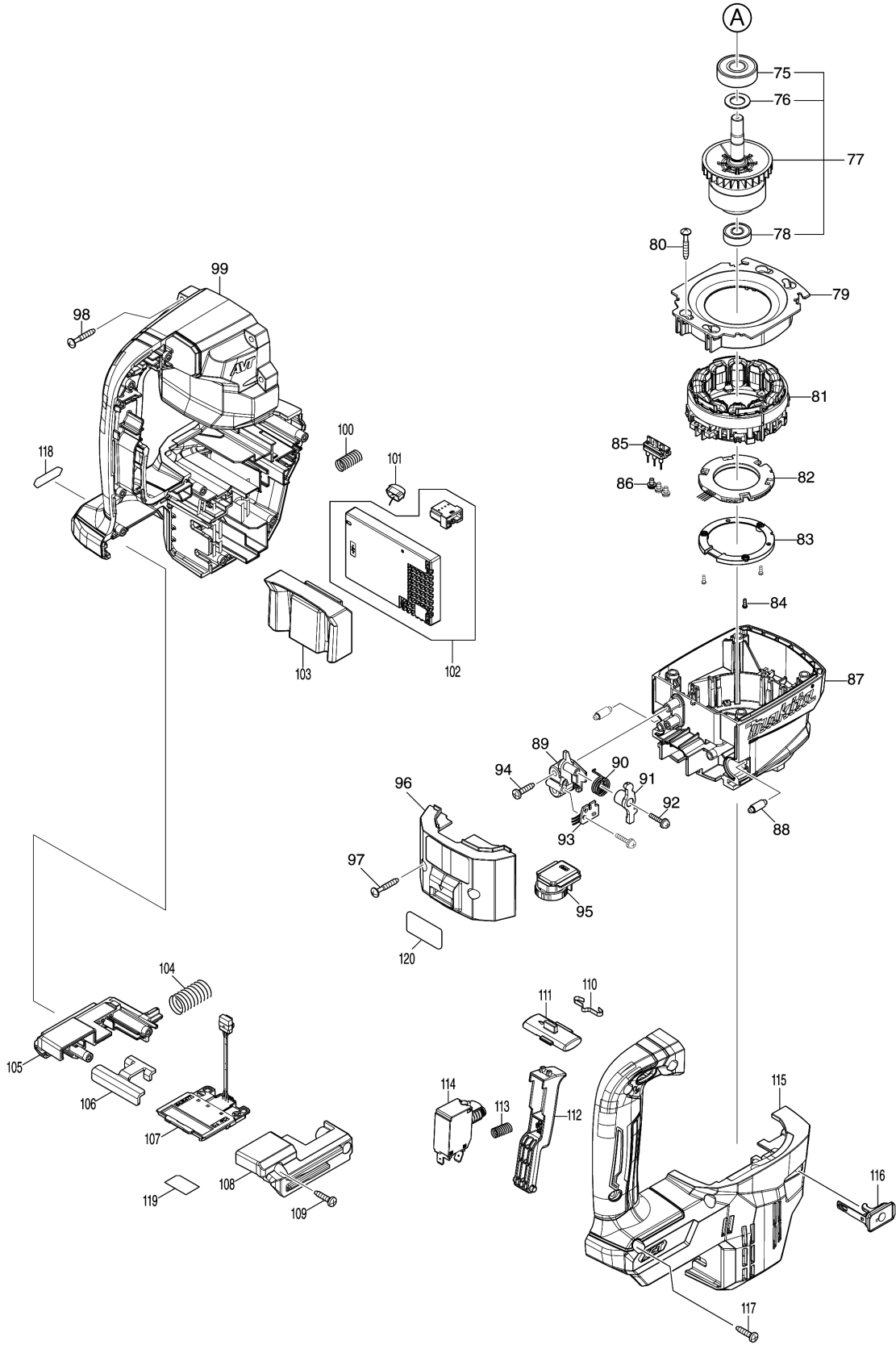


# Model No.HM001G CORDLESS DEMOLITION HAMMER



Model No.HM001G CORDLESS DEMOLITION HAMMER



Model No.HM001G CORDLESS DEMOLITION HAMMER

分解圖號	零件編號	品名	交換	數量	New/Old	選擇1	選擇2	註記
001	286287-0	TOOL HOLDER CAP		1				
002	451432-8	CHUCK COVER		1				
003	231984-3	彈簧圈		1				
004	267272-2	墊片28		1				
005	424261-2	RUBBER RING 28		1				
006	331659-5	CHUCK RING		1				
007	310108-5	TOOL RETAINER		2				
008	346677-0	SPRING GUIDE		1				
009	233387-7	COMPRESSION SPRING 52		1				
010	346141-1	PLATE		1				
011	216002-8	鋼珠 4.8		4				
012	310145-9	LOCK RING		1				
013	451433-6	CHANGE RING		1				
014	412979-7	HOUSING COVER		1				
015	257960-9	RETAINING RING(INT) ROUND R-42		1				
016	267273-0	FLAT WASHER 29		1				
017	424261-2	RUBBER RING 28		1				
018	327778-3	TOOL HOLDER		1				
019	213527-3	O RING 38		1				
020	213394-6	O圈23 F/HR5001C,HM0830		1				
021	213431-6	圈28 F/HR5001C,HM0830		1				
022	136383-3	IMPACT BOLT ASSY		1				
D10		INC. 20,21						
023	213286-9	O-RING 48		1				
024	312A51-0	BARREL		1				
025	922341-3	H.S.H.螺絲 M6X25		4				
026	213656-2	O圈 53		1				
027	325732-1	RING 20		1				
028	424245-0	RUBBER RING 20		1				
029	267407-5	FLAT WASHER 23		1				
030	451639-6	GUIDE RING		1				
031	412986-0	SLIDE SLEEVE		1				
032	324388-7	STRIKER		1				
033	213958-6	O圈24 F/HM0830		1				
034	327694-9	CYLINDER 32		1				
035	233927-1	彈簧圈34 F/HM0830		1				
036	331660-0	環36 F/HM0830		1				
037	233407-7	扭力彈簧37 F/HM0830		1				
038	233927-1	彈簧圈34 F/HM0830		1				
039	318510-6	CYLINDER GUIDE		1				

Model No.HM001G CORDLESS DEMOLITION HAMMER

分解圖號	零件編號	品名	交換	數量	New/Old	選擇1	選擇2	註記
040	213611-4	O圈46		1				
041	233927-1	彈簧圈34 F/HM0830		1				
042	267079-6	F華士34 F/6905H		1				
043	419988-7	過濾帽 F/HK1820		1				
044	213218-6	O圈 16		1				
045	423411-6	RUBBER PLATE		1				
046	443129-3	過濾介質 F/HR4030C,HK1820		1				
047	412978-9	CRANK CAP		1				
048	911233-1	螺絲 M5X20		4				
049	234282-4	壓縮彈簧12		2				
050	422647-4	SEAL RING		1				
051	327693-1	CRANK SHAFT 18.5		1				
052	962157-4	固定環 R-40		1				
053	211490-4	BALL BEARING 6203LLU		1				
054	267825-7	WAVE WASHER 30		1				
055	136390-6	CRANK HOUSING ASSY		1				
C10	213678-2	油封 12		1				
056	266041-8	螺絲 5X25		4				
057	418350-3	連桿 F/HM0830		1				
058	418349-8	活塞 F/HM0830		1				
059	268104-6	銷8 F/6924N		1				
060	213432-4	O圈26 F/HM0830		1				
061	213958-6	O圈24 F/HM0830		1				
062	412984-4	SPRING PLATE A		2				
063	234134-9	COMPRESSION SPRING 12		2				
064	325733-9	COUNTER WEIGHT		2				
065	234134-9	COMPRESSION SPRING 12		2				
066	213325-5	O形環 19		6				
069	140W77-2	HOLDER COMPLETE		2				
070	346140-3	GRIP SPRING 70		1				
071	266522-2	SQUARE BOLT M8X95		1				
072	418363-4	把手頭座60 F/HM0830		1				
073	158131-0	把手頭 36		1				
075	211106-1	軸承 6201LLB		1				
076	253744-3	F華士 12		1				
077	519642-4	ROTOR ASS'Y		1				
D10		INC. 75,76,78						
078	210005-4	軸承 608DW		1				
079	412983-6	BAFFLE PLATE		1				
080	265999-8	螺絲 4X25		4				

Model No.HM001G CORDLESS DEMOLITION HAMMER

分解圖號	零件編號	品名	交換	數量	New/Old	選擇1	選擇2	註記
081	629335-6	定子		1				
082	620D76-1	CONTROLLER B		1				
083	687B69-9	STOPPER		1				
084	266490-9	盤頭螺絲 PT 2X6		3				
085	632R64-0	LEAD UNIT		1				
086	652031-1	PAN HEAD SCREW M3X6		3				
087	412982-8	MOTOR HOUSING		1				
088	256380-4	SHOULDER PIN 4-6		2				
089	412985-2	BASE		1				
090	232643-2	TORSION SPRING 13		1				
091	140W48-9	LEVER COMPLETE		1				
092	263046-9	TAPPING SCREW 3X14		2				
093	620D75-3	SENSOR CIRCUIT		1				
094	266326-2	螺絲 M4X18		2				
095	620796-3	錶盤電路		1				
096	140W78-0	MOTOR HOUSING COVER COMPLETE		1				
C10	422564-8	SPONGE SHEET		1				
097	265999-8	螺絲 4X25		2				
098	265999-8	螺絲 4X25		4				
099	183R90-7	HOUSING SET		1				
C10	422646-6	CAP 10		2				
C20	347755-9	GUARD RAIL		2				
D10		INC. 115						
100	232411-3	壓縮彈簧8		1				
101	620549-0	本體外殼組		1				
102	620E09-2	CONTROLLER		1				
103	422642-4	CUSHION RUBBER		1				
104	232650-5	COMPRESSION SPRING 13		1				
105	183R85-0	BATTERY HOLDER SET		1				
C10	263005-3	橡皮銷 6		2				
D10		INC. 108						
106	346039-2	支架板		1				
107	632P49-4	電池端座		1				
108	183R85-0	BATTERY HOLDER SET		1				
C10	263005-3	橡皮銷 6		2				
D10		INC. 105						
109	266326-2	螺絲 M4X18		2				
110	232152-1	葉片彈簧 F/6832		1				
111	412981-0	TRIGGER LOCK		1				
112	412980-2	SWITCH LEVER		1				

Model No.HM001G CORDLESS DEMOLITION HAMMER

分解圖號	零件編號	品名	交換	數量	New/Old	選擇1	選擇2	註記
113	232561-4	壓縮彈簧 5		1				
114	651399-2	開關 C3JW-6B-PA		1				
115	183R90-7	HOUSING SET		1				
C10	422646-6	CAP 10		2				
C20	347755-9	GUARD RAIL		2				
D10		INC. 99						
116	140F99-0	蓋組		1				
C10	213218-6	O 圈 16		1				
C20	818H07-8	帽標籤		1				
117	266326-2	螺絲 M4X18		8				
118	8012U4-2	XGT LOGO LABEL		1				
119	857Y00-9	HM001G SERIAL NO. LABEL		1				
120	857X94-8	HM001G NAME PLATE		1				
121	135332-7	GRIP 36 ASSEMBLY		1				
D10		INC. 70-73						
A01	194683-7	GREASE VESSEL SET		1				
A02	443122-7	布		1				
A03	821838-8	PLASTIC CASE		1				
A05B	412393-7	BATTERY COVER		2				
A06B	191B30-5	鋰電池 BL4040 - 盒裝		2				
A07B	***DC40RA	快速充電器 DC40RA		1				
D10		COMPO-PARTS						
A09	B-10621	SELF SHARPENING BULL POINT		1				
A10	B-64266	PREMIUM BULLPOINT FOR SDS-MAX		1				
B01	191N57-7	HAMMER SERVICE KIT		1				
C10	181490-7	齒輪潤滑油30ml		1				
D10		INC. 1,3,7,20,21,33,60,61						

Please order the parts with part number.

Print Date 2020/11/30