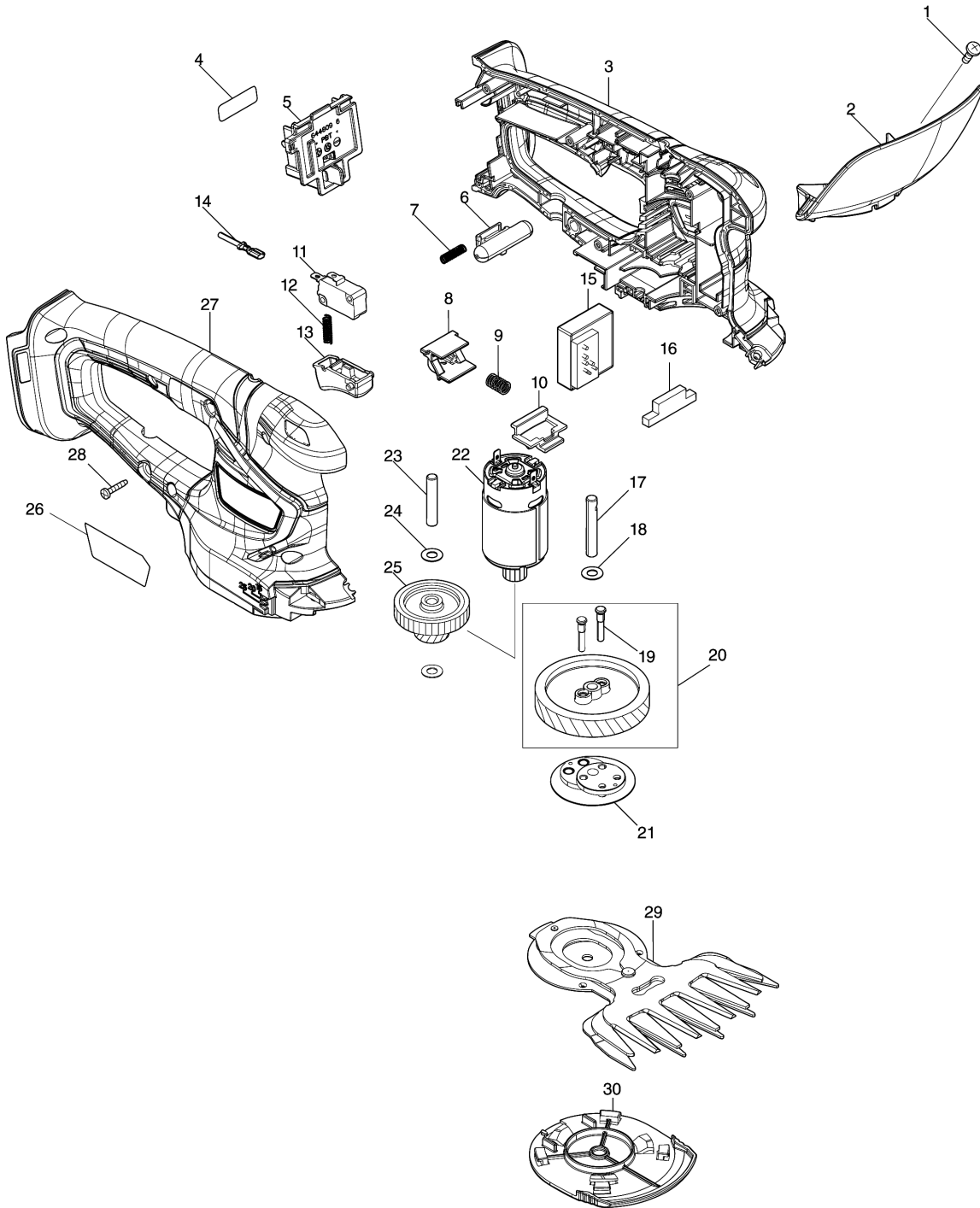


Model No.DUM111 110MM CORDLESS GRASS SHEAR



Model No.DUM111 110MM CORDLESS GRASS SHEAR

分解圖號	零件編號	品名	交換	數量	New/Old	選擇1	選擇2	註記
001	915116-7	BINDING HEAD SCREW M4X12		1				
002	141C31-9	PROTECTOR COMPLETE		1	*			
C10	8030K3-8	CAUTION LABEL		1	*			
002-1	140V97-0	PROTECTOR COMPLETE	<	1				
C10	819948-3	CAUTION LABEL		1				
003	183G03-2	HOUSING SET		1				
C10	931102-0	HEX. NUT M4		1				
C20	346275-0	PLATE		2				
C30	263005-3	RUBBER PIN 6		2				
D10		INC. 27						
004	811957-8	DUM111 SERIAL NO. LABEL		1				
005	644809-6	TERMINAL		1				
006	452438-9	LOCK OFF BUTTON		1				
007	231473-8	COMPRESSION SPRING 4		1				
008	457534-8	SLIDE PLATE		1				
009	234339-1	COMPRESSION SPRING 6		1				
010	454879-5	LOCK LEVER		1				
011	650744-8	SWITCH D3V-16-3C26		1				
012	231473-8	COMPRESSION SPRING 4		1				
013	417564-1	SWITCH LEVER		1				
014	632S19-1	LEAD UNIT		1				
015	620E35-1	CONTROLLER		1				
016	451814-4	DUST GUARD		1				
017	268254-7	PIN 6		1				
018	253715-0	FLAT WASHER 6		1				
019	268256-3	PIN 4		2				
020	135883-0	HELICAL GEAR 47 ASS'Y		1				
D10		INC. 19						
021	161598-3	CRANK COMPLETE		1				
022	629943-3	DC MOTOR		1				
023	268076-5	PIN 6		1				
024	253715-0	FLAT WASHER 6		2				
025	226831-1	GEAR 12-31		1				
026	811949-7	DUM111 NAME PLATE		1				
027	183G03-2	HOUSING SET		1				
C10	931102-0	HEX. NUT M4		1				
C20	346275-0	PLATE		2				
C30	263005-3	RUBBER PIN 6		2				
D10		INC. 3						
028	266429-2	TAPPING SCREW 3X16		6				

Model No.DUM111 110MM CORDLESS GRASS SHEAR

分解圖號	零件編號	品名	交換	數量	New/Old	選擇1	選擇2	註記
029	191N23-4	SHEAR BLADE ASSEMBLY 110 SET		1				
C10	188369-3	OIL VESSEL SET		1				
030	140451-6	UNDER COVER COMPLETE		1				
A01	191N24-2	SHEAR BLADE ASSEMBLY 200S SET		1				
C10	188369-3	OIL VESSEL SET		1				
A02	413885-9	BLADE COVER 110		1				
A03	413429-5	STORAGE COVER		1				
A04	458342-0	BLADE COVER		1				
A05	450128-8	BATTERY COVER		1				
A06	***DC18RC	DC18RC FAST CHARGER		1				
D10		COMPO-PARTS						
A07	197604-8	BATTERY BL1830B SET		1				

Please order the parts with part number.

Print Date 2020/11/30