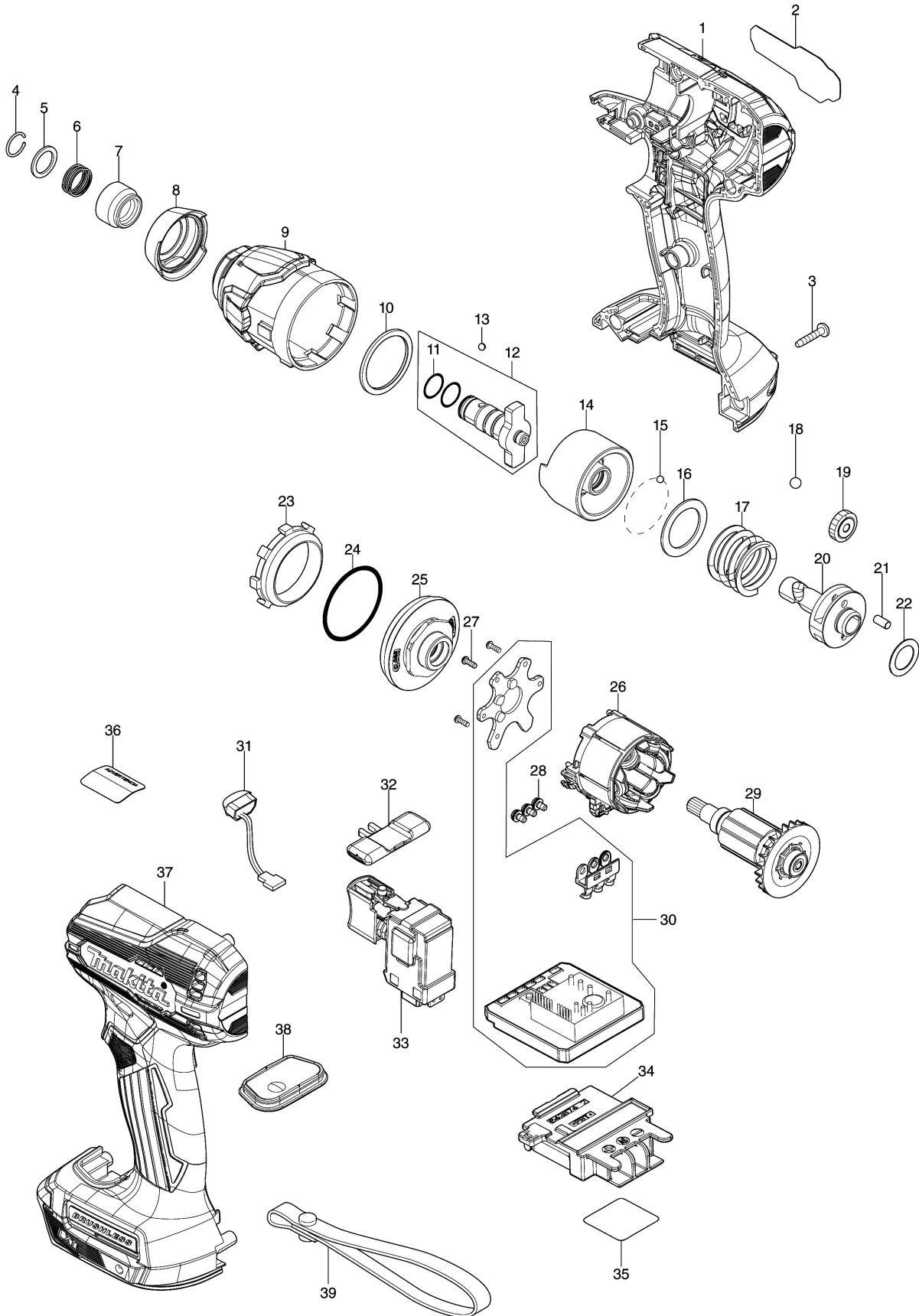


Model No.DTD157 CORDLESS IMPACT DRIVER



Model No.DTD157 CORDLESS IMPACT DRIVER

分解圖號	零件編號	品名	交換	數量	New/Old	選擇1	選擇2	註記
001	183S27-0	HOUSING SET		1				
C10	263005-3	RUBBER PIN 6		2				
C20	252126-6	HEX. LOCK NUT M4-7		2				
D10		INC. 37						
002	811B03-9	DTD157 NAME PLATE		1				
003	266429-2	TAPPING SCREW 3X16		9				
004	231965-7	RING SPRING 10		1				
005	267143-3	FLAT WASHER 11		1				
006	233005-7	COMPRESSION SPRING 13		1				
007	326803-7	BIT SLEEVE		1				
008	422661-0	BUMPER		1				
009	140Y09-1	HAMMER CASE COMPLETE		1				
010	261165-5	NYLON WASHER 26		1				
011	213920-1	O-RING 10.5		2				
012	136382-5	ANVIL N ASS'Y		1				
D10		INC. 11						
013	216019-1	STEEL BALL 3		2				
014	327824-2	HAMMER		1				
015	216019-1	STEEL BALL 3		24				
016	267380-9	FLAT WASHER 20		1				
017	232326-4	COMPRESSION SPRING 21		1				
018	216002-8	STEEL BALL 4.8		2				
019	227213-0	SPUR GEAR 17		2				
020	327743-2	SPINDLE		1				
021	268217-3	PIN 3.5		2				
022	253052-2	FLAT WASHER 12		1				
023	227316-0	INTERNAL GEAR 43		1				
024	213479-8	O RING 33		1				
025	140Y11-4	BEARING BOX COMPLETE		1				
026	629A44-3	STATOR		1				
027	266490-9	TAPPING SCREW PT 2X6		3				
028	652069-6	FLAT HEAD SCREW M3X6		3				
029	619672-6	ROTOR		1				
030	620E43-2	CONTROLLER		1				
031	620521-2	LED CIRCUIT		1				
032	455053-8	F/R CHANGE LEVER		1				
033	143975-1	SWITCH COMPLETE		1				
034	643874-2	TERMINAL		1				
035	811B11-0	DTD157 SERIAL NO. LABEL		1				
037	183S27-0	HOUSING SET		1				
C10	263005-3	RUBBER PIN 6		2				

Please order the parts with part number.

Print Date 2020/11/30

Model No.DTD157 CORDLESS IMPACT DRIVER

分解圖號	零件編號	品名	交換	數量	New/Old	選擇1	選擇2	註記
C20	252126-6	HEX. LOCK NUT M4-7		2				
D10		INC. 1						
038	144137-4	SWITCH PLATE COMPLETE		1				
039	163400-6	HANDSTRAP		1				
A01	346317-0	HOOK		1				
A02	266622-8	+ TRUSS HEAD SCREW M4X12		1				
A03B	141856-3	PLASTIC CARRYING CASE COMPLETE		1				
C10	162302-3	LATCH		2				
C20	324207-7	SHAFT		1				
C30	451749-9	HANDLE		1				
A04B	8030E3-6	DTD157RFE PLASTIC CASE LABEL		2				
A07B	***DC18RC	DC18RC FAST CHARGER		1				
D10		COMPO-PARTS						
A08B	197604-8	BATTERY BL1830B SET		2				
A09B	450128-8	BATTERY COVER		1				

Please order the parts with part number.

Print Date 2020/11/30