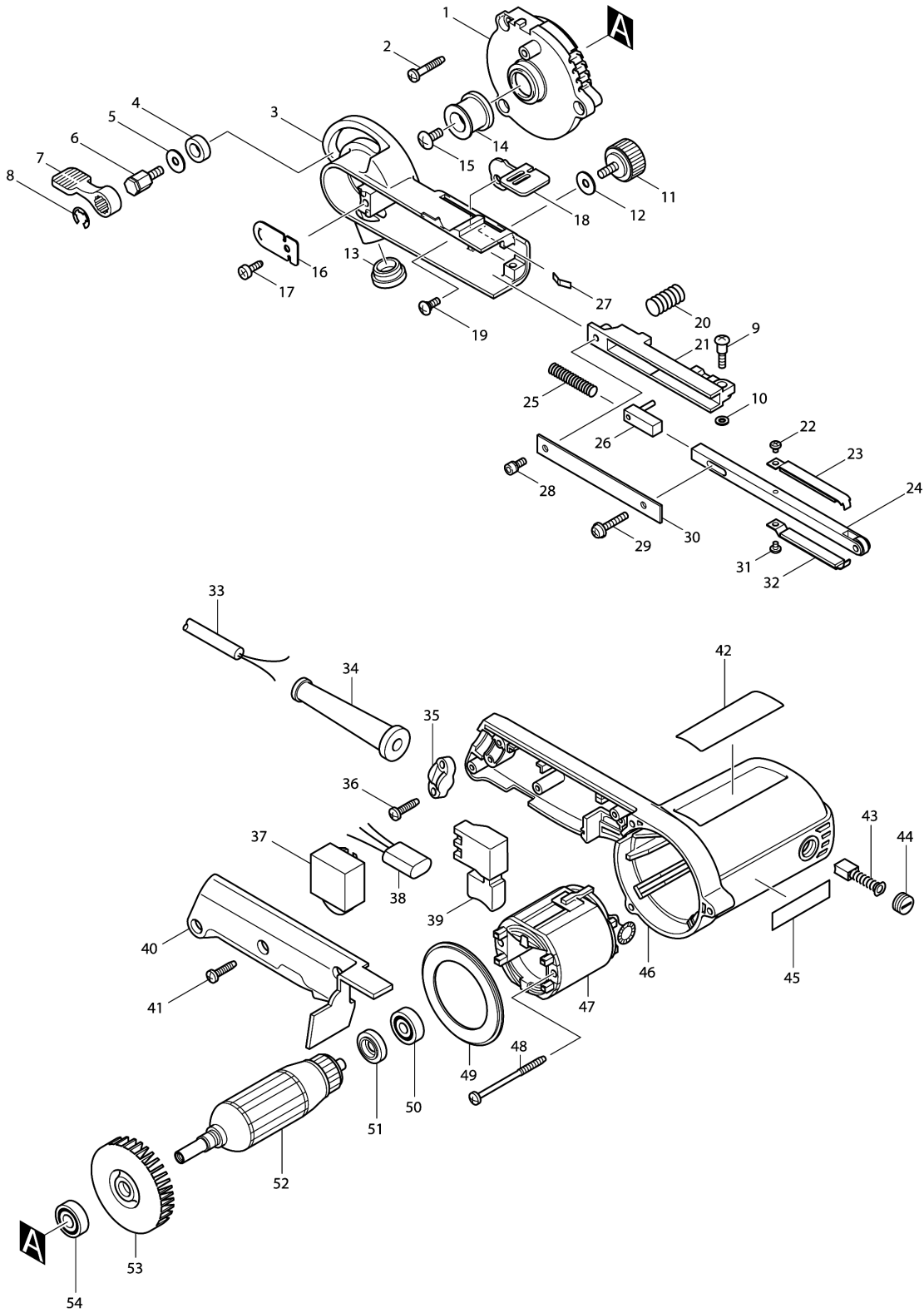


Model No.9032 BELT SANDER 9MM



Model No.9032 BELT SANDER 9MM

分解圖號	零件編號	品名	交換	數量	New/Old	選擇1	選擇2	註記
001	317523-4	BRACKET		1				
002	265999-8	TAPPING SCREW 4X25		3				
003	153308-2	PULLEY COVER COMPLETE		1				
004	257249-5	RING 9		1				
005	253807-5	FLAT WASHER 5		1				
006	265494-8	HEX. BOLT M5X13		1				
007	272229-0	LEVER 40		1				
008	961014-3	STOP RING E-8		1				
009	265090-2	+ PAN HEAD SCREW M4X20		1				
010	941052-1	FLAT WASHER 4		1				
011	265751-4	THUMB SCREW M5X13		1				
012	253807-5	FLAT WASHER 5		1				
013	421198-4	CAP		1				
014	317522-6	DRIVING ROLLER		1				
015	265092-8	TRUSS HEAD SCREW M5X12		1				
016	345196-3	SAFETY COVER		1				
017	266026-4	TAPPING SCREW BIND CT 4X12		1				
018	345197-1	CAM LEVER		1				
019	265028-7	+ PAN HEAD SCREW M4X11		1				
020	233333-0	COMPRESSION SPRING 10		1				
021	317525-0	ARM HOLDER		1				
022	265040-7	+ PAN HEAD SCREW M3X4		1				
023	153314-7	SHOE 9 COMPLETE		1				
024	153310-5	ARM 9 COMPLETE		1				
C10	210064-8	BALL BEARING 694LLU		1	*			
C11	210209-8	BALL BEARING 694LLU	O	1				
C20	267220-1	FLAT WASHER 4		2				
025	233332-2	COMPRESSION SPRING 6		1				
026	153312-1	ARM TENSIONER COMPLETE		1				
027	232185-6	LEAF SPRING		1				
028	922111-0	HEX. SOCKET HEAD BOLT M4X10		1				
029	911138-5	PAN HEAD SCREW M4X20		1				
030	345195-5	ARM COVER		1				
031	265040-7	+ PAN HEAD SCREW M3X4		1				
032	153314-7	SHOE 9 COMPLETE		1				

Model No.9032 BELT SANDER 9MM

分解圖號	零件編號	品名	交換	數量	New/Old	選擇1	選擇2	註記
033	694022-6	POWER SUPPLY CORD 1.0-2-2.5		1				
034	682502-4	CORD GUARD 8-85		1				
035	687052-4	STRAIN RELIEF		1				
036	265995-6	TAPPING SCREW 4X18		2				
037	631185-7	CONTROLLER 200V-240V		1	*			
037-1	631677-6	CONTROLLER	O	1				
038	645209-3	NOISE SUPPRESSOR		1	*			
038-1	645200-1	NOISE SUPPRESSOR	S	1				
039	651263-7	SWITCH SGEL206C		1				
040	415635-8	HANDLE COVER		1				
041	265995-6	TAPPING SCREW 4X18		3				
042	853483-1	NAME PLATE 9032		1				
043	191940-4	CARBON BRUSH CB-411		1				
044	643550-8	BRUSH HOLDER CAP 5-8		2				
046	159747-4	MOTOR HOUSING COMPLETE		1				
C10	643932-4	BRUSH HOLDER 6X9		2				
047	599350-3	FILD ASSY 220V		1	*			
C10	654100-4	RING TERMINAL		2	*			
C20	654501-6	CONNECTOR P-1.25		2	*			
047-1	599350-3	FILD ASSY 220V	S	1	*			
C10	654100-4	RING TERMINAL		2	*			
C20	654501-6	CONNECTOR P-1.25		2	*			
047-2	599114-5	FILD ASSY 220V	O	1				
C10	654100-4	RING TERMINAL		2				
C20	654501-6	CONNECTOR P-1.25		2				
048	266052-3	TAPPING SCREW 4X60		2				
049	415634-0	BAFFLE PLATE		1				
050	210023-2	BALL BEARING 627DDW		1				
051	681614-0	INSULATION WASHER		1				
052	517388-6	ARMATURE ASS'Y 220V		1				
D10		INC. 50,51,53,54						
053	241884-9	FAN 60		1				
054	210005-4	BALL BEARING 608DDW		1				
A01	A-34469	ABRASIVE BELT 9X533-AA80		1				
A02	122652-8	DUST NOZZLE ASS'Y		1				
E01	689053-8	RING TERMINAL RETAINER 12		2				

Please order the parts with part number.

Print Date 2020/9/17