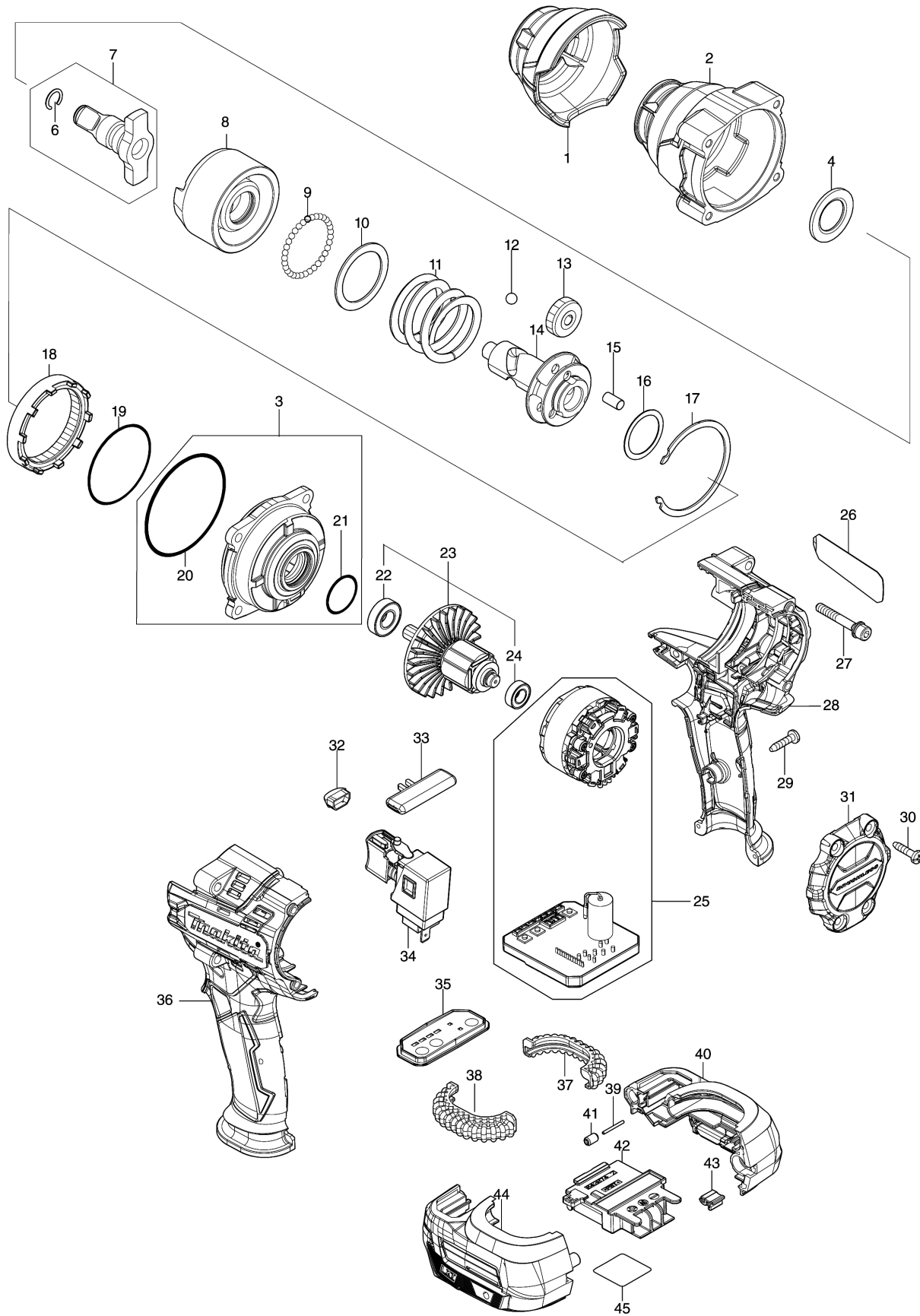


Model No.DTW700 CORDLESS IMPACT WRENCH



Model No.DTW700 CORDLESS IMPACT WRENCH

| 分解圖號 | 零件編號 | 品名 | 交換 | 數量 | New/Old | 選擇1 | 選擇2 | 註記 |
|------|----------|--------------------------|----|----|---------|-----|-----|----|
| 001 | 422607-6 | BUMPER | | 1 | | | | |
| 002 | 140U47-9 | HAMMER CASE COMPLETE | | 1 | | | | |
| 003 | 136296-8 | INTERNAL GEAR CASE ASS'Y | | 1 | | | | |
| D10 | | INC. 20,21 | | | | | | |
| 004 | 253481-9 | FLAT WASHER 20 | | 1 | | | | |
| 006 | 231907-1 | RING SPRING 10 | | 1 | | | | |
| 007 | 136256-0 | ANVIL ASS'Y | | 1 | | | | |
| D10 | | INC. 6 | | | | | | |
| 008 | 327624-0 | HAMMER | | 1 | | | | |
| 009 | 216001-0 | STEEL BALL 3.5 | | 33 | | | | |
| 010 | 267340-1 | FLAT WASHER 32 | | 1 | | | | |
| 011 | 232629-6 | COMPRESSION SPRING 34 | | 1 | | | | |
| 012 | 216007-8 | STEEL BALL 6.4 | | 2 | | | | |
| 013 | 227813-6 | SPUR GEAR 21 | | 3 | | | | |
| 014 | 327623-2 | SPINDLE | | 1 | | | | |
| 015 | 256211-7 | PIN 6 | | 3 | | | | |
| 016 | 267494-4 | FLAT WASHER 25 | | 1 | | | | |
| 017 | 347722-4 | RETAINER | | 1 | | | | |
| 018 | 227814-4 | INTERNAL SPUR GEAR 48 | | 1 | | | | |
| 019 | 213624-5 | O RING 48 | | 1 | | | | |
| 020 | 213654-6 | O RING 60 | | 1 | | | | |
| 021 | 213961-7 | O RING 22 | | 1 | | | | |
| 022 | 210069-8 | BALL BEARING 6900DDW | | 1 | | | | |
| 023 | 519635-1 | ROTOR ASS'Y | | 1 | | | | |
| D10 | | INC. 22,24 | | | | | | |
| 024 | 211343-7 | BALL BEARING 688ZZ | | 1 | | | | |
| 025 | 629A06-1 | STATOR COMPLETE | | 1 | | | | |
| 026 | 857M03-1 | DTW700 NAME PLATE | | 1 | | | | |
| 027 | 251476-6 | H.S.H.BOLT M5X35 WITH WR | | 4 | | | | |
| 028 | 183P88-2 | HOUSING SET | | 1 | | | | |
| D10 | | INC. 36 | | | | | | |
| 029 | 266326-2 | TAPPING SCREW 4X18 | | 7 | | | | |
| 030 | 266326-2 | TAPPING SCREW 4X18 | | 4 | | | | |
| 031 | 412673-1 | REAR COVER | | 1 | | | | |
| 032 | 620549-0 | LED CIRCUIT | | 1 | | | | |
| 033 | 456268-0 | F/R CHANGE LEVER | | 1 | | | | |
| 034 | 140U03-9 | SWITCH COMPLETE | | 1 | | | | |
| C10 | 424774-3 | SWITCH COVER | | 1 | | | | |
| 035 | 140U53-4 | SWITCH PLATE COMPLETE | | 1 | | | | |

Model No.DTW700 CORDLESS IMPACT WRENCH

| 分解圖號 | 零件編號 | 品名 | 交換 | 數量 | New/Old | 選擇1 | 選擇2 | 註記 |
|------|-----------|--------------------------------|----|----|---------|-----|-----|----|
| C10 | 8012S9-8 | SWITCH LABEL | | 1 | | | | |
| 036 | 183P88-2 | HOUSING SET | | 1 | | | | |
| D10 | | INC. 28 | | | | | | |
| 037 | 424773-5 | CUSHION RUBBER | | 1 | | | | |
| 038 | 424773-5 | CUSHION RUBBER | | 1 | | | | |
| 039 | 268284-8 | PIN 1.5 | | 1 | | | | |
| 040 | 183P89-0 | BATTERY HOUSING SET | | 1 | | | | |
| C10 | 263005-3 | RUBBER PIN 6 | | 2 | | | | |
| C20 | 252126-6 | HEX. LOCK NUT M4-7 | | 2 | | | | |
| D10 | | INC. 44 | | | | | | |
| 041 | 263036-2 | RUBBER PIN 5 | | 1 | | | | |
| 042 | 643874-2 | TERMINAL | | 1 | | | | |
| 043 | 424517-3 | CUSHION | | 1 | | | | |
| 044 | 183P89-0 | BATTERY HOUSING SET | | 1 | | | | |
| C10 | 263005-3 | RUBBER PIN 6 | | 2 | | | | |
| C20 | 252126-6 | HEX. LOCK NUT M4-7 | | 2 | | | | |
| D10 | | INC. 40 | | | | | | |
| 045 | 857M11-2 | DTW700 SERIAL NO. LABEL | | 1 | | | | |
| A01 | 251314-2 | + SCREW M4X12 | | 1 | | | | |
| A02 | 347723-2 | HOOK | | 1 | | | | |
| A03B | ***DC18RC | DC18RC FAST CHARGER | | 1 | | | | |
| D10 | | COMPO-PARTS | | | | | | |
| A04B | 450128-8 | BATTERY COVER | | 1 | | | | |
| A05B | 197287-4 | BATTERY BL1850B SET | | 2 | | | | |
| A06B | 821551-8 | CONNECTOR PLASTIC CASE (TYPE3) | | 1 | | | | |
| C10 | 453974-8 | LATCH | | 4 | | | | |
| A07B | 837645-9 | INNER TRAY | | 1 | | | | |
| A08B | 8019U3-6 | DTW700RTJ PLASTIC CASE LABEL | | 2 | | | | |
| A09B | 8019U2-8 | DTW700RTJ INDICATION LABEL | | 1 | | | | |

Please order the parts with part number.

Print Date 2020/6/5